

6PA182-LS

M

DRAWING
NUMBER

2

ISSUE

REPLACES

RELEASE NO. PR-10109

CHECK

07NOV07

MST

CHECK

GOH KAPEL

CHECK

81

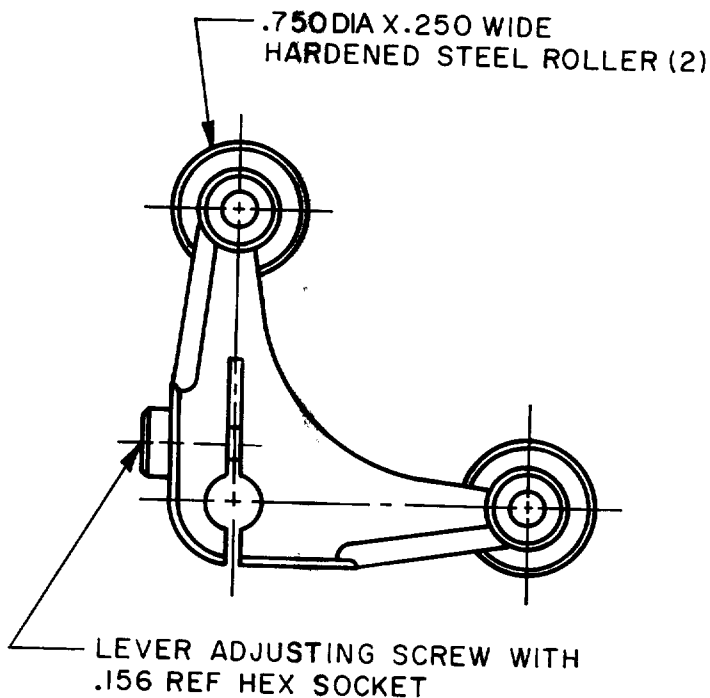
APRIL

14

T S K

FO-52848-A

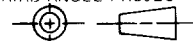
DRAWN



ALL DIMENSIONS REFERENCE ONLY

THIS DRAWING COVERS A PROPRIETARY ITEM AND IS THE PROPERTY OF MICRO SWITCH, A DIVISION OF HONEYWELL. THIS DRAWING IS NOT TO BE COPIED OR USED WITHOUT THE APPROVAL OF MICRO SWITCH.

THIRD ANGLE PROJECTION



CHARACTERISTICS

ELECTRICAL DATA

SCALE

CONTACT ARRANGEMENT

DO NOT SCALE PRINT

TOLERANCES

APPLY TO DESIGN UNITS CONVERSIONS ARE ONLY FOR REFERENCE UNLESS NOTED TOLERANCES ARE ±

DIM.	TOL.	DIM.	TOL.
mm	mm/in	in	mm/in
NO PLACES	X	1/04	
ONE PLACE	X,X	0 4/ 016	X X 0 8/ 03
TWO PLACES	X,XX	0 15/ .006	X XX 0 38/ 015
THREE PLACES	X,XXX		X XXX 0 13/ 005
ANGLES			

SI METRIC

US CUSTOMARY

DESIGN UNITS

WEIGHT

X-ON Electronics

Largest Supplier of Electrical and Electronic Components

Click to view similar products for [Switch Fixings](#) category:

Click to view products by [Honeywell](#) manufacturer:

Other Similar products are found below :

[893102000](#) [00-5150](#) [LZZ1A](#) [0098.9234](#) [M2PA-5011](#) [630155](#) [635401](#) [6PA113](#) [6PA147-E6](#) [6PA148-E6](#) [6PA32](#) [6PA9](#) [700106](#) [700109](#)
[700303A56](#) [700C1GRY](#) [700C2GRN](#) [704-6001](#) [704.960.9](#) [704.965.2](#) [704.965.6](#) [704.966.0](#) [7089-3](#) [710082-B11](#) [71M1048](#) [757200264](#)
[764300000](#) [MHU35](#) [MHU37](#) [807039-1](#) [825.003.011](#) [825.005.011](#) [825.053.011](#) [825.055.011](#) [826.000.071](#) [827.020.011](#) [827.400.021](#)
[835.900.023](#) [MML52C10C](#) [MML52E10C](#) [MML92HGH](#) [MML93K](#) [84211M02CNNS](#) [84212M02CNNS](#) [84217A8.0LNOS](#) [842.500.011](#)
[843.000.011](#) [843187-000](#) [843487-000](#) [84-901](#)