

MICRO SWITCH
a Honeywell Division

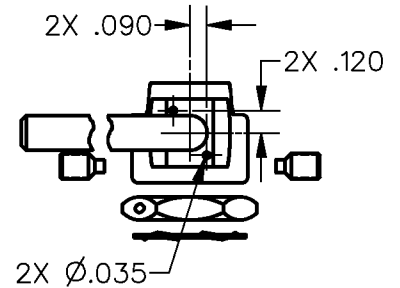
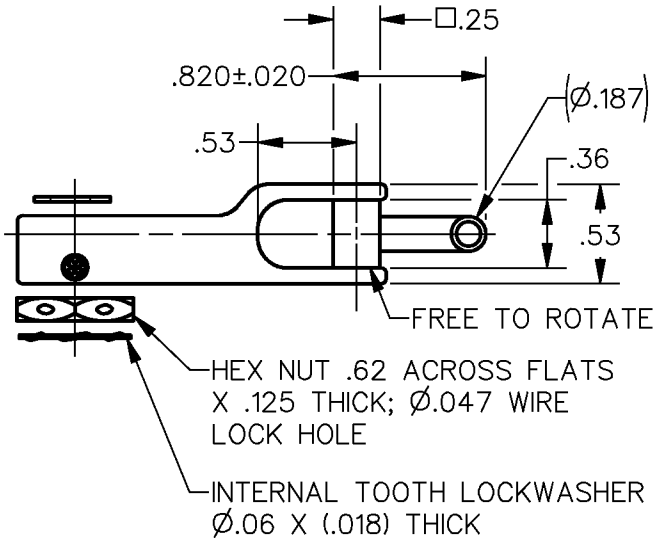
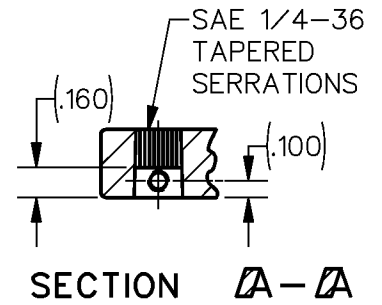
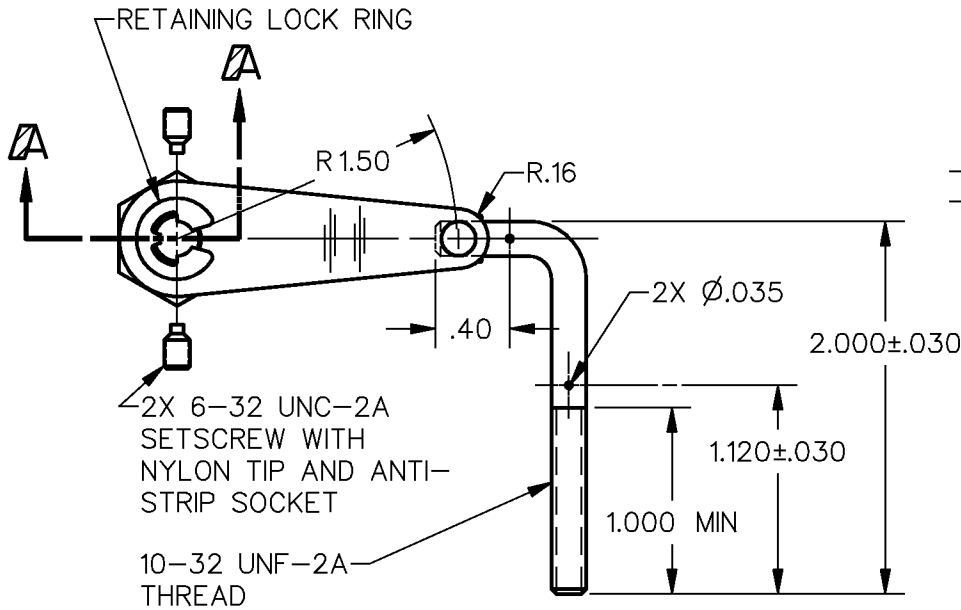
FED. MFG. CODE 91929

PACKET

CATALOG LISTING
6PA206-EN

THIS DRAWING COVERS A PROPRIETARY ITEM AND IS THE PROPERTY OF MICRO SWITCH, A DIVISION OF HONEYWELL. THIS DRAWING IS NOT TO BE COPIED OR USED WITHOUT THE APPROVAL OF MICRO SWITCH.

CATALOG LISTING
6PA206-EN
PAGE 1 OF 1
RELEASE NO. PR-22501
REPLACES
M
ISSUE
3



NOTE
1 - PARTS FURNISHED UNASSEMBLED IN BULK AS A PACKET

THIRD ANGLE PROJECTION	
SCALE	NONE
DO NOT SCALE PRINT	
UNLESS OTHERWISE SPECIFIED TOLERANCES ARE	
ONE PLACE (.0)	\pm .030
TWO PLACE (.00)	\pm .015
THREE PLACE (.000)	\pm .005
ANGLES	\pm
WEIGHT	

REVISIONS	
A	PR22501
	TSM 20 NOV 96
B	0055398
	KNR 07AUG09

CHECK
07AUG09
CMH
CHECK
07AUG09
CMH
DRAWN
T S M 20 NOV 96
RASTER

ANSI Y14.5M-1982 APPLIES

X-ON Electronics

Largest Supplier of Electrical and Electronic Components

Click to view similar products for [Switch Fixings](#) category:

Click to view products by [Honeywell](#) manufacturer:

Other Similar products are found below :

[893102000](#) [00-5150](#) [LZZ1A](#) [0098.9234](#) [M2PA-5011](#) [630155](#) [635401](#) [6PA113](#) [6PA147-E6](#) [6PA148-E6](#) [6PA32](#) [6PA9](#) [700106](#) [700109](#)
[700303A56](#) [700C1GRY](#) [700C2GRN](#) [704-6001](#) [704.960.9](#) [704.965.2](#) [704.965.6](#) [704.966.0](#) [7089-3](#) [710082-B11](#) [71M1048](#) [757200264](#)
[764300000](#) [MHU35](#) [MHU37](#) [807039-1](#) [825.003.011](#) [825.005.011](#) [825.053.011](#) [825.055.011](#) [826.000.071](#) [827.020.011](#) [827.400.021](#)
[835.900.023](#) [MML52C10C](#) [MML52E10C](#) [MML92HGH](#) [MML93K](#) [84211M02CNNS](#) [84212M02CNNS](#) [842.500.011](#) [843.000.011](#) [843187-000](#) [843487-000](#) [84-901](#) [84-902](#)