



MICRO SWITCH

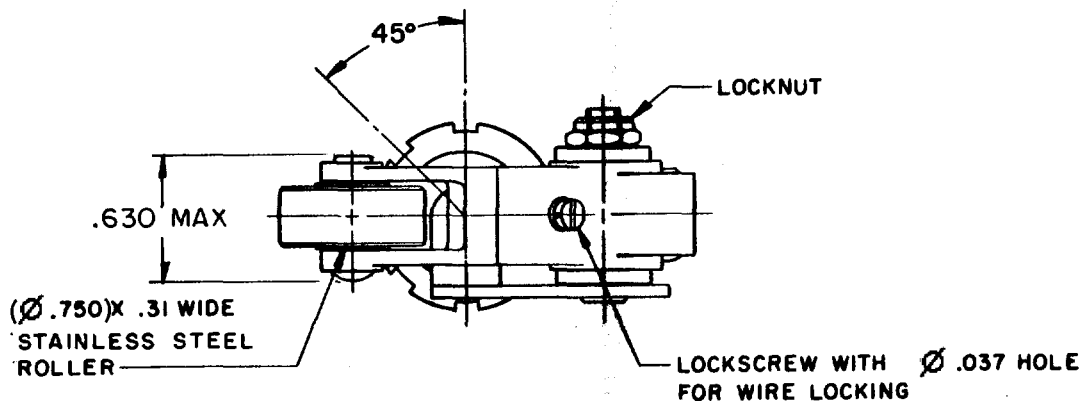
FREEPORT, ILLINOIS, U.S.A.
A DIVISION OF HONEYWELL

FED. MFG. CODE 91929

PACKET

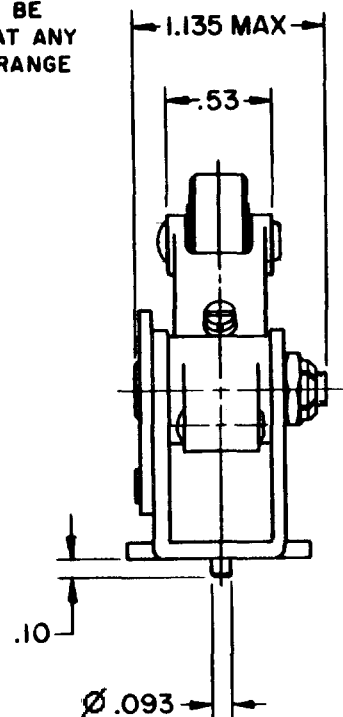
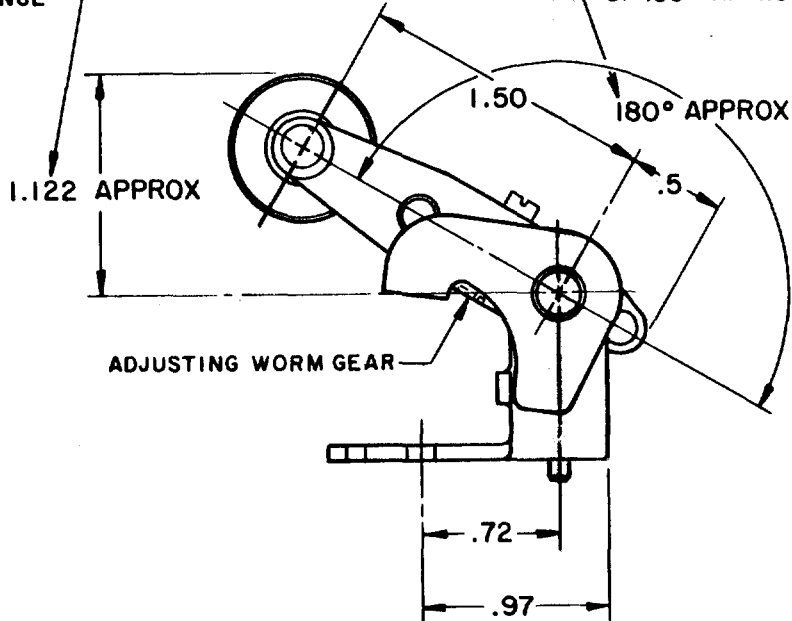
CATALOG LISTING

6PA341



ROLLER LEVER IS SHOWN IN ITS FREE POSITION AT ONE EXTREME OF ITS ADJUSTABLE RANGE

ROLLER LEVER MAY BE POSITIVELY LOCKED AT ANY POSITION WITHIN A RANGE OF 180° APPROX



NOTE -

- 1 - UNIT DESIGNED TO WITHSTAND TEMPERATURE OF 600° F
- 2 - REPLACEMENT ARM IS PART NO. 6PA358
- 3 - 1X LOCKWASHER, 1X HEX NUT, AND 7X PLAIN WASHER FURNISHED UNASSEMBLED

ANSI Y14.5M-1982 APPLIES

THIS DRAWING COVERS A PROPRIETARY ITEM AND IS THE PROPERTY OF MICRO SWITCH, A DIVISION OF HONEYWELL. THIS DRAWING IS NOT TO BE COPIED OR USED WITHOUT THE APPROVAL OF MICRO SWITCH.

6PA341
 M
 DRAWING NUMBER
 3
 ISSUE
 7
 CHECK
 REVISIONS
 A SR12605
 O M W
 13 DEC 66
 B CO22377
 M B F
 12 JAN 67
 C CO26688
 M B S
 12 JAN 70
 D CO95373
 JAH
 13 JUL 99
 CHECK
 9 DEC 66
 LSO
 66
 CHECK
 O M W 9 DEC 66
 DRAWN
 FO-30376
 FORMTEK

CHARACTERISTICS	ELECTRICAL DATA	SCALE
	CONTACT ARRANGEMENT	DO NOT SCALE PRINT
		UNLESS OTHERWISE NOTED DIMENSIONS ARE IN INCHES TOLERANCES ARE:
		ONE PLACE (.0) ±.030 TWO PLACE (.00) ±.015 THREE PLACE (.000) ±.005 ANGLES ± 5°
		WEIGHT

X-ON Electronics

Largest Supplier of Electrical and Electronic Components

Click to view similar products for [Switch Hardware](#) category:

Click to view products by [Honeywell](#) manufacturer:

Other Similar products are found below :

[893102000](#) [LZZ1A](#) [0098.9234](#) [61-9707.7](#) [61-9771.0](#) [M2PA-5011](#) [635401](#) [6PA104](#) [6PA113](#) [6PA147-E6](#) [6PA148-E6](#) [6PA32](#) [6PA9](#) [700106](#)
[700109](#) [700201A56](#) [700303A56](#) [700701264](#) [700C1GRY](#) [700C2GRN](#) [704-6001](#) [704.960.4](#) [704.960.9](#) [704.965.1](#) [704.965.2](#) [704.965.6](#)
[704.966.0](#) [7089-3](#) [71M1048](#) [757200264](#) [778000A56](#) [79215938](#) [MHU35](#) [MHU37](#) [825.003.011](#) [825.005.011](#) [825.053.011](#) [825.055.011](#)
[826.000.071](#) [827.020.011](#) [827.400.021](#) [835.900.023](#) [MML52C10C](#) [MML52E10C](#) [MML72EEK](#) [MML92HGH](#) [MML93K](#) [84211M02CNNS](#)
[84211M02LGRS](#) [84211M02LNNX3](#)