

MICRO SWITCH

FREEPORT ILLINOIS, U.S.A
A DIVISION OF HONEYWELL
FED. MFG. CODE 91929

PACKET

6PA40

FO-52848-A RASTER DRAWN

GLH 12 FEB 75 CHECK DWJ 14 FEB 75 CHECK CMH 14 MAY 12 SBH 14 MAY 12

REVISIONS

A	0089380	14 MAY 12
	SBH	14 MAY 12

ISSUE 2

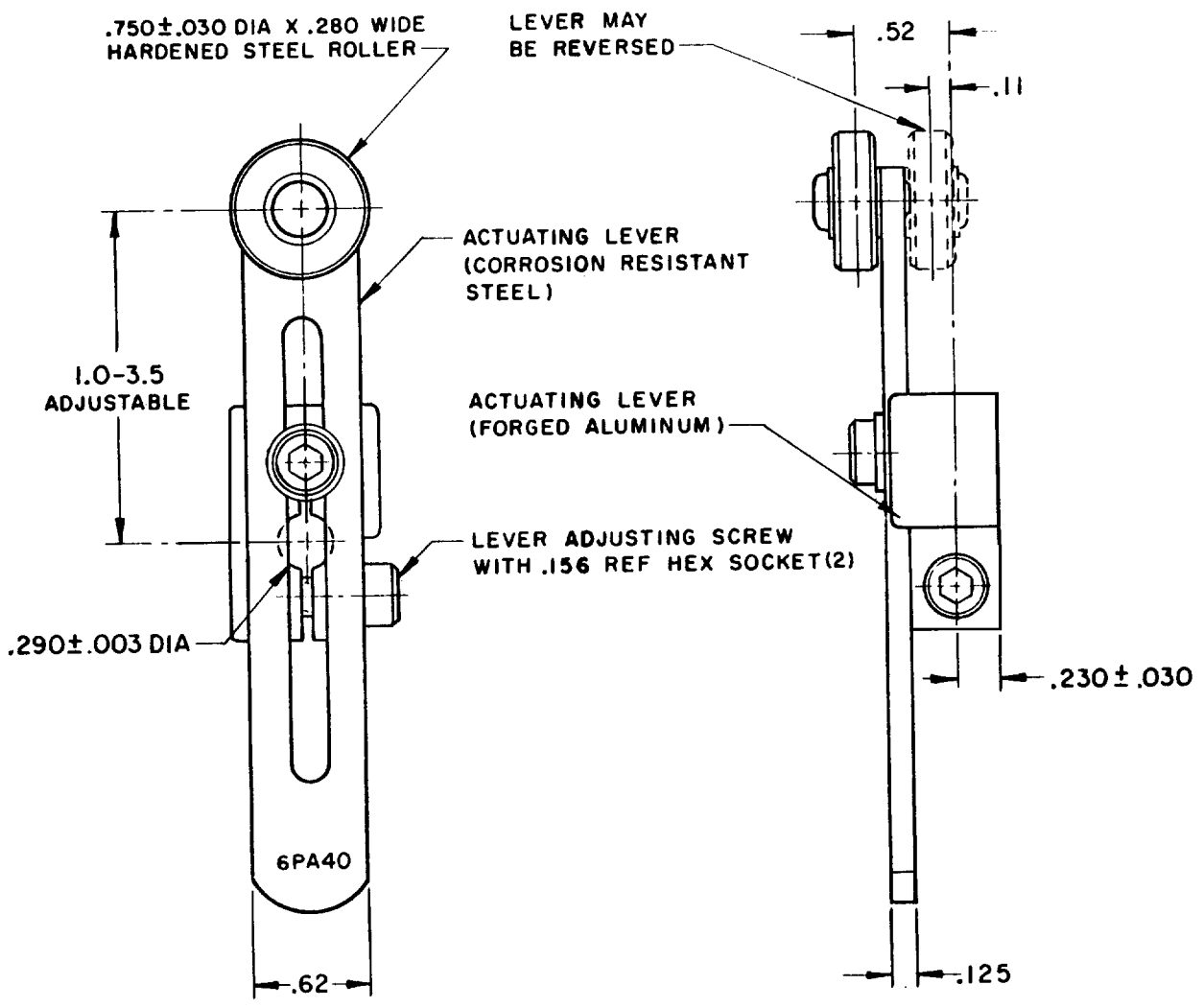
DRAWING NUMBER

M

6PA40

REPLACES

RELEASE NO. PR-4800



NOTE -
1 - PARTS FURNISHED ASSEMBLED

THIS DRAWING COVERS A PROPRIETARY ITEM AND IS THE PROPERTY OF MICRO SWITCH, A DIVISION OF HONEYWELL. THIS DRAWING IS NOT TO BE COPIED OR USED WITHOUT THE APPROVAL OF MICRO SWITCH.

THIRD ANGLE PROJECTION

CHARACTERISTICS

ELECTRICAL DATA
CONTACT ARRANGEMENT

SCALE FULL

DO NOT SCALE PRINT

TOLERANCES
APPLY TO DESIGN UNITS. CONVERSIONS ARE ONLY FOR REFERENCE. UNLESS NOTED, TOLERANCES ARE ±

	DIM. mm		DIM. in	
	TOL. mm/in		TOL. in/mm	
NO PLACES	X	1/.04	X, X	0.8/.03
ONE PLACE	X, X	0.4/.016	X, XX	0.38/.015
TWO PLACES	X, XX	0.15/.006	X, XXX	0.13/.005
THREE PLACES	X, XXX			

DESIGN UNITS SI METRIC US CUSTOMARY

WEIGHT

X-ON Electronics

Largest Supplier of Electrical and Electronic Components

Click to view similar products for [Switch Fixings](#) category:

Click to view products by [Honeywell](#) manufacturer:

Other Similar products are found below :

[893102000](#) [00-5150](#) [LZZ1A](#) [0098.9234](#) [M2PA-5011](#) [630155](#) [635401](#) [6PA113](#) [6PA147-E6](#) [6PA148-E6](#) [6PA32](#) [6PA9](#) [700106](#) [700109](#)
[700303A56](#) [700C1GRY](#) [700C2GRN](#) [704-6001](#) [704.960.9](#) [704.965.2](#) [704.965.6](#) [704.966.0](#) [7089-3](#) [710082-B11](#) [71M1048](#) [757200264](#)
[764300000](#) [MHU35](#) [MHU37](#) [807039-1](#) [825.003.011](#) [825.005.011](#) [825.053.011](#) [825.055.011](#) [826.000.071](#) [827.020.011](#) [827.400.021](#)
[835.900.023](#) [MML52C10C](#) [MML52E10C](#) [MML92HGH](#) [MML93K](#) [84211M02CNNS](#) [84212M02CNNS](#) [842.500.011](#) [843.000.011](#) [843187-000](#) [843487-000](#) [84-901](#) [84-902](#)