

MICRO SWITCH

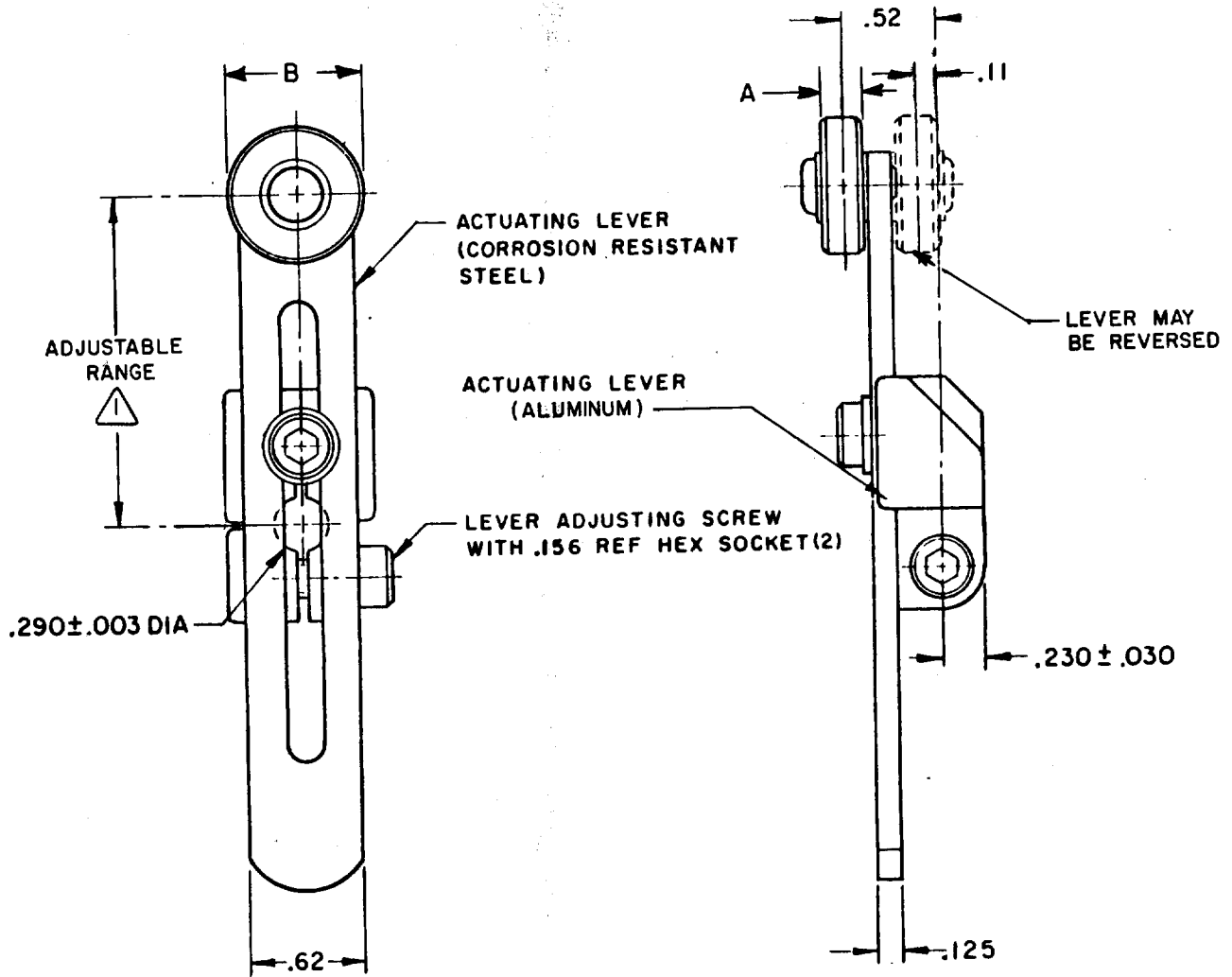
FREEPORT, ILLINOIS, U S A
A DIVISION OF HONEYWELL

FED. MFG. CODE 91929

PACKET

CATALOG LISTING
6PA SERIES
CHART 5 ★

THIS DRAWING COVERS A PROPRIETARY ITEM AND IS THE PROPERTY OF MICRO SWITCH, A DIVISION OF HONEYWELL. THIS DRAWING IS NOT TO BE COPIED OR USED WITHOUT THE APPROVAL OF MICRO SWITCH.



6PA SERIES
CHART 5

M

DRAWING
NUMBER

7

ISSUE

REPLACES
RELEASE NO. PR-7019-T

CHECK

REVISIONS

A	OBS C035152
	S L B 21 APR 78
B	RE-INS PR-7019
	S L B 21 APR 78
C	PRI7339
	TSK 19 MAY 89

CHECK

27 APR 78

C E B

CHECK

21 APR 78

CHECK

S L B

CATALOG LISTING	A	B	MATERIAL	△	ISSUE NO.
6PA44	.250	.750	NYLON	1.0 TO 3.5	10
6PA67	.250	1.500	NYLON	1.5 TO 3.5	7
6PA64	.250	2.000	NYLON	1.75 TO 3.5	8
6PA44-SEL	.250	.750	NYLON	1.0 TO 3.5	1

SCALE NONE
DO NOT SCALE PRINT
UNLESS OTHERWISE NOTED
DIMENSIONS ARE IN INCHES
TOLERANCES ARE:
ONE PLACE (.0) ±.030
TWO PLACE (.00) ±.015
THREE PLACE (.000) ±.005
ANGLES ±
WEIGHT

80378-2A

DRAWN

X-ON Electronics

Largest Supplier of Electrical and Electronic Components

Click to view similar products for [Switch Actuators](#) category:

Click to view products by [Honeywell](#) manufacturer:

Other Similar products are found below :

[LW1B-A0L](#) [LW1B-M0](#) [680-4000-00](#) [704.012.618](#) [704.411.018I](#) [704.412.0](#) [704.633.1](#) [704.730.1](#) [704.733.0](#) [84-1221.7](#) [862.8102](#) [G6083](#)
[9PA24](#) [A0107X](#) [A019307](#) [ADC-418G](#) [12MA7](#) [ASDHHY-B](#) [HW1F-3G](#) [HW1M-L2222](#) [HW4S-31L](#) [200-.704-00](#) [JS-10008](#) [JS-10083](#) [JS-10118](#) [JS-10133](#) [JS-10277](#) [JS-10389](#) [JS-150](#) [JS-552](#) [JS-555](#) [JS-68](#) [JS-6-B](#) [JS-91](#) [JS-94](#) [22-211.011](#) [9001KXSDC](#) [92-458.500](#) [SAPT654133](#)
[2PA3](#) [SW53AA2](#) [302561](#) [LW2L-A0](#) [3E-12.0](#) [468-10243-001](#) [51-030.005](#) [JM-13](#) [JS-10120](#) [JS-138-B](#) [JS-143-B](#)