



MICRO SWITCH
 FREEPORT ILLINOIS
 A DIVISION OF HONEYWELL
 FED. MFG. CODE 91929

ASSEMBLY-PUSHBUTTON SWITCH

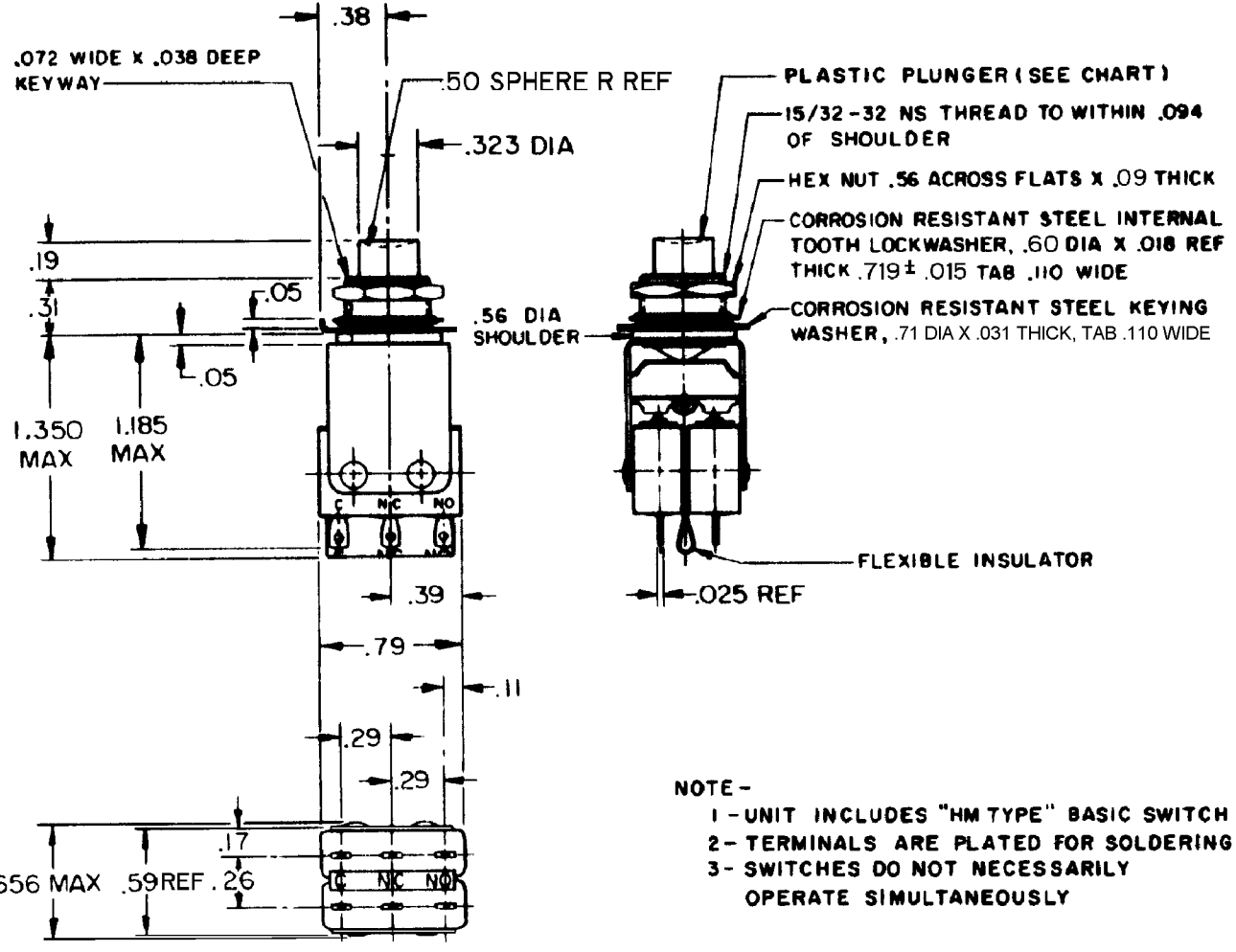
CATALOG LISTING
702PB SERIES CHART I

702PB SERIES
 CHART I
 PAGE 1 OF 1

M
 DRAWING NUMBER
 ISSUE 6

REVISIONS
 A COB107 M B F 7 MAY 63
 B COB2984 DLY MAY 65
 C COB4186 JAF 13 MAY 67
 D CO-94273 G J W 15 APR 99
 E 0020292 TRF 31MAR06

REPLACES SR 10785
 4 MAR 63
 LWE
 CHECK
 XAC
 CHECK
 OMW
 4 FEB 63
 CHECK



NOTE -
 1 - UNIT INCLUDES "HM TYPE" BASIC SWITCH (2)
 2 - TERMINALS ARE PLATED FOR SOLDERING
 3 - SWITCHES DO NOT NECESSARILY OPERATE SIMULTANEOUSLY

| CATALOG LISTINGS | PLUNGER COLOR | RELEASE NO. | FAA-PMA LISTING |
|------------------|---------------|-------------|-----------------|
| 702 PB1 | BLACK | SR 10785 | FAA-PMA |
| 702 PB2 | RED | SR 10785 | |
| 702 PB3 | GREEN | SR 10785 | |
| | | | |
| | | | |
| | | | |

THIS DRAWING COVERS A PROPRIETARY ITEM AND IS THE PROPERTY OF MICRO SWITCH, A DIVISION OF MINNEAPOLIS-HONEYWELL REGULATOR CO. THIS DRAWING IS NOT TO BE COPIED OR USED WITHOUT THE APPROVAL OF MICRO SWITCH.

| CHARACTERISTICS | ELECTRICAL DATA | SCALE FULL |
|------------------------------------|--|---|
| OPERATING FORCE ----- 30 OZ APPROX | CONTACT ARRANGEMENT S P D T (2) | DO NOT SCALE PRINT |
| TOTAL TRAVEL ----- .100 APPROX | 115 VOLTS AC RATING 400 CPS INDUCTIVE ----- 2 AMP RESISTIVE ----- 2 AMP 28 VOLTS DC RATING INDUCTIVE ----- 3 AMP RESISTIVE ----- 5 AMP | UNLESS OTHERWISE SPECIFIED DIMENSIONS ARE IN INCHES TOLERANCES ARE: ONE PLACE (.0) ±.030 TWO PLACE (.00) ±.015 THREE PLACE (.000) ±.005 ANGLES ± |
| | | WEIGHT, 0.43 LB APPROX |

RASTER
 DRAWN

X-ON Electronics

Largest Supplier of Electrical and Electronic Components

Click to view similar products for [Pushbutton Switches](#) category:

Click to view products by [Honeywell](#) manufacturer:

Other Similar products are found below :

[8940K2012](#) [LW1L-M1C10V-A](#) [LW1L-M1C70-A](#) [LW2L-A1C20M-GD](#) [LW2L-M1C20M-A](#) [60324L](#) [M22-D-R-GB0/K11](#) [M7E-HRN2](#)
[67021K512](#) [67081K512X](#) [701PB580](#) [7190K101](#) [7199K101](#) [810K12910](#) [810KSV30B](#) [MML21EA2ADK](#) [MML21KA3ABK](#)
[MML23KA3AC05K-001](#) [MML23KW3AA01W](#) [8418K2](#) [8442K3](#) [8450K1](#) [860K11911T01A](#) [861901](#) [861K11911T01A07](#)
[861K13810T00A14](#) [861K13911](#) [8646AB6X718UL](#) [8646ABUL](#) [9001KXRK](#) [907AYY100](#) [PMHD155A1](#) [95-313.000](#)
[9533CD4+U574+U4922](#) [95-414.000](#) [99-450.837](#) [99-453.837](#) [PV3H2B0NN-341](#) [1203MRA](#) [A22NZBGANGA](#) [A22NZBMMNGA](#)
[A22NZBNANGA](#) [A22NZMPATRA](#) [A2PMA1X03EC56](#) [A3A-5123-02](#) [A3A-7140](#) [A3A-7310](#) [A3A-7340](#) [A3U-TMW-A2C-5M](#) [A595](#)