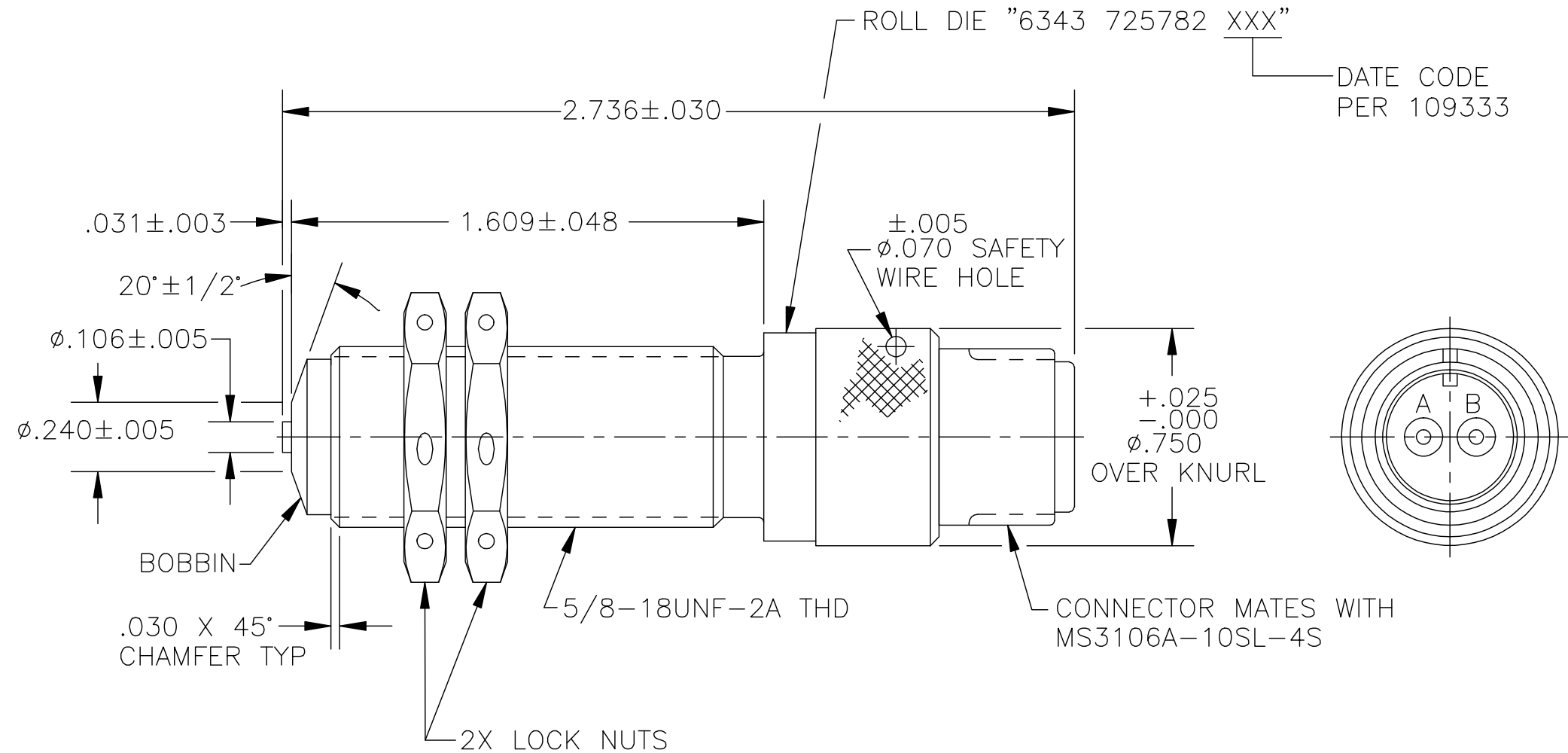


HONEYWELL  
PART NUMBER

-

REV	DOCUMENT	CHANGED BY	CHECK
H	0075296	MBN 16MAR11	KNR

SPECIFICATION DATA	
PARAMETER	VALUE
OUTPUT VOLTAGE	100V Pk-Pk MIN
COIL RESISTANCE	1290 OHMS MAX
INDUCTANCE	475mH MAX @ 1KHz
DIELECTRIC STRENGTH	500V RMS AT 60HZ FOR 1 MIN MAX NOT TO EXCEED 100V PER SECOND
LEAKAGE RESISTANCE	100 MEGOHMS MIN @ 500VDC
TEMPERATURE LIMITS	-100°F TO +225°F
CUSTOMER DWG NO	6343



NOTES:

1. MATERIAL : SHELL: NON-MAGNETIC SSTL
2. OUTPUT VOLTAGE TESTED AT 1000 I.P.S. WITH A 20 PITCH GEAR AT .005" CLEARANCE AND A LOAD OF 100K OHMS.
3. CUSTOMER: CHADWICK-HELMUTH (HONEYWELL)
4. POLARITY: UPON THE APPROACH OF FERROUS METAL INTO THE MAGNETIC FIELD, PIN "B" WILL BE POSITIVE WITH RESPECT TO PIN "A".

DESIGN UNITS:	INCH
TOLERANCES UNLESS NOTED:	
NO PLACE	X ±
ONE PLACE	.X ±
TWO PLACE	.XX ±
THREE PLACE	.XXX ±
FRACTIONS	- ±
ANGLES	X ±
THIRD ANGLE PROJECTION	

DRAWN	DEA	9/15/80
CHECK	RM	9/24/80
THIS DRAWING COVERS A PROPRIETARY ITEM AND IS THE PROPERTY OF HONEYWELL. THIS DRAWING IS NOT TO BE COPIED OR USED WITHOUT THE PERMISSION OF HONEYWELL.		
INTERPRET PER ANSI Y14.5M-1982 OTHER HONEYWELL ENGINEERING STANDARDS MAY APPLY		
AUTO CAD		2D

<b>Honeywell</b>				
TITLE MAGNETIC SENSOR				
SIZE	TYPE	CAGE_CODE	DRAWING NAME	REV
B	I	81692	725782	H
SCALE	2:1	SHEET		1 OF 1

## X-ON Electronics

Largest Supplier of Electrical and Electronic Components

*Click to view similar products for [Speed Sensors](#) category:*

*Click to view products by [Honeywell](#) manufacturer:*

Other Similar products are found below :

[621405](#) [M3050A13](#) [MA215HT-96](#) [726324](#) [726446](#) [727033](#) [727440-08](#) [727440-28](#) [728265-02](#) [993AB18AT-J](#) [SNDJ-CNT-G03](#) [M3024](#)  
[M3030](#) [M3040](#) [M3040AN25](#) [34.170.1001.0](#) [4953](#) [ZS-180-B55](#) [ZS-1963](#) [ZS-2048](#) [ZS-2147](#) [04.241.8053.0](#) [04.845.2253.0](#) [EN401B](#) [SNDH-](#)  
[SPR-001](#) [70.331.1028.0](#) [70.331.2428.0](#) [70.377.2428.0](#) [725004](#) [725204](#) [725733](#) [725951](#) [727397](#) [727440-27](#) [728143-15](#) [728202-02](#) [PA11560](#)  
[PA12D03](#) [ZS-1952](#) [ZS-1728-D](#) [SNDJ-CNT-G04](#) [SNDH-SPC-01M](#) [SNDH-H3C-G07](#) [4951957-8](#) [REVK](#) [722543](#) [LCZA460](#) [728098-07](#)  
[SNDH-SPC-01P](#) [727470](#) [3040AN40](#)