

HONEYWELL
PART NUMBER
727386

SPECIFICATION DATA						
PARAMETER	VALUE	RCRD	100 %	OTHER	REF	PROCEDURE
OUTPUT VOLTAGE	5.0V pk-pk MIN	x	x			108022 (A)
COIL RESISTANCE	68 OHMS MAX	x		2.5 AQL		108018
INDUCTANCE	16 mH MAX @1000 Hz	x		2.5 AQL		108018
DIELECTRIC STRENGTH	500V RMS AT 60HZ FOR 1 MIN MAX NOT TO EXCEED 100V PER SECOND	x		2.5 AQL		108019
LEAKAGE RESISTANCE	100 MEGOHMS MINIMUM	x		2.5 AQL		108055
TEMPERATURE LIMITS	-100°F to +450°F				x	
CUSTOMER DWG NO	2495650					

(A) TESTED AT 1000 I.P.S. (6180 Hz) WITH A 20 PITCH 3.5" DIA, 68 TOOTH GEAR AT .015 ±.001 INCH CLEARANCE AND A LOAD OF 5K OHMS.

REV	DOCUMENT	CHANGED BY	CHECK
D	0073213	DN 10JAN11	DSK

B

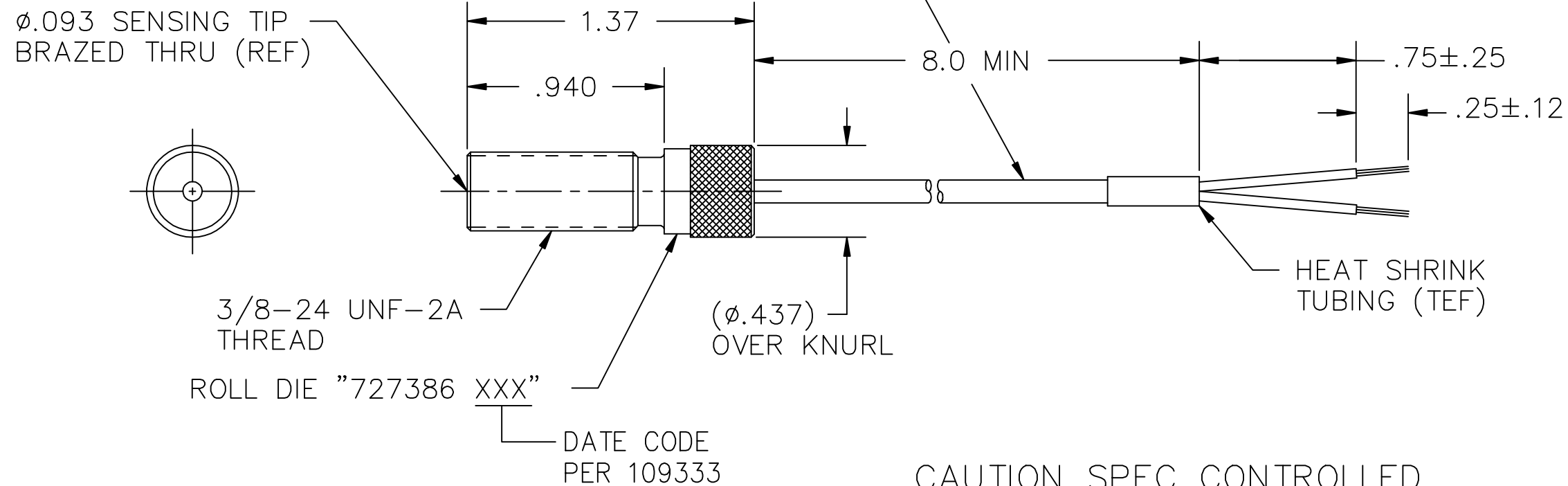
B

A

A

A

A



- NOTES
- 1 - CUSTOMER : PARKER HANNIFIN
 - 2 - POLARITY : WHITE LEAD IS POSITIVE WITH RESPECT TO BLACK LEAD UPON APPROACH OF FERROUS METAL
 - 3 - MATERIAL : SHELL IS NON-MAGNETIC, STAINLESS STEEL

DESIGN UNITS: INCH	DRAWN	MBEAL	13JUL90
TOLERANCES UNLESS NOTED:	CHECK	PEP	01AUG90
FRACTIONS ± 1/32	THIS DRAWING COVERS A PROPRIETARY ITEM AND IS THE PROPERTY OF HONEYWELL. THIS DRAWING IS NOT TO BE COPIED OR USED WITHOUT THE PERMISSION OF HONEYWELL.		
NO PLACES x ± -	INTERPRET PER ASME Y14.5M-1994 OTHER HONEYWELL ENGINEERING STANDARDS MAY APPLY		
ONE PLACE .x ± .03	SIZE	TYPE	CAGE CODE
TWO PLACE .xx ± .010	B	I	81692
THREE PLACE .xxx ± 1'	SCALE		DRAWING NAME
ANGLES x ±	NONE		727386
THIRD ANGLE PROJECTION	SHEET		REV
	1		D
	1 OF 1		

Honeywell			
TITLE MAXI-MAG SENSOR 3/8-24 X .94 W/CABLE			
AUTOCAD 2D			

Honeywell			
TITLE MAXI-MAG SENSOR 3/8-24 X .94 W/CABLE			
SIZE	TYPE	CAGE CODE	DRAWING NAME
B	I	81692	727386
SCALE		SHEET	
NONE		1 OF 1	

X-ON Electronics

Largest Supplier of Electrical and Electronic Components

Click to view similar products for [Speed Sensors](#) category:

Click to view products by [Honeywell](#) manufacturer:

Other Similar products are found below :

[621405](#) [M3050A13](#) [MA215HT-96](#) [726324](#) [726446](#) [727033](#) [727440-08](#) [727440-28](#) [728265-02](#) [993AB18AT-J](#) [SNDJ-CNT-G03](#) [M3024](#)
[M3030](#) [M3040](#) [M3040AN25](#) [34.170.1001.0](#) [4953](#) [ZS-180-B55](#) [ZS-1963](#) [ZS-2048](#) [ZS-2147](#) [04.241.8053.0](#) [04.845.2253.0](#) [EN401B](#) [SNDH-](#)
[SPR-001](#) [70.331.1028.0](#) [70.331.2428.0](#) [70.377.2428.0](#) [725004](#) [725204](#) [725733](#) [725951](#) [727397](#) [727440-27](#) [728143-15](#) [728202-02](#) [PA11560](#)
[PA12D03](#) [ZS-1952](#) [ZS-1728-D](#) [SNDJ-CNT-G04](#) [SNDH-SPC-01M](#) [SNDH-H3C-G07](#) [4951957-8](#) [REVK](#) [722543](#) [LCZA460](#) [728098-07](#)
[SNDH-SPC-01P](#) [727470](#) [3040AN40](#)