

HONEYWELL PART NUMBER
77344

REV	DOCUMENT	CHANGED BY	CHECK
B	0068753	VKK 03SEP10	CMH

CUSTOMER: _____

APPROVED BY: _____

DATE: _____

CUSTOMER
PART NO.: _____

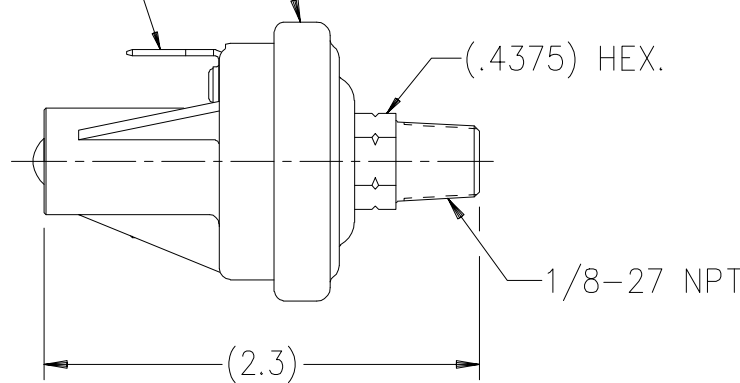
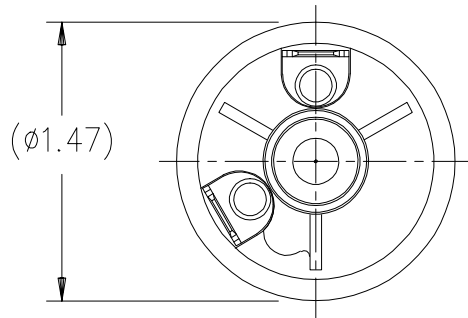
HONEYWELL PART NUMBER, N.O., VACUUM
SETTING AND DATE CODE

2X 1/4 BLADE TERMINAL

(.4375) HEX.

1/8-27 NPT

(2.3)



NOTES:

1. SINGLE CIRCUIT NORMALLY OPEN VACUUM SWITCH.
2. CLOSING ADJUSTMENT RANGE 1.1 - 22 IN. Hg.
3. DIMENSIONS ARE FOR REFERENCE ONLY UNLESS OTHERWISE SPECIFIED.

CUSTOMER PRINT

DESIGN UNITS: INCH			
TOLERANCES UNLESS NOTED:			
NO PLACES	X	±	-
ONE PLACE	.X	±	.020
TWO PLACE	.XX	±	.010
THREE PLACE	.XXX	±	.005
FOUR PLACE	.XXXX	±	.0005
ANGLES	X	±	0°30'

DRAWN	D MCGEE	24OCT01
CHECK	-	-

THIS DRAWING COVERS A PROPRIETARY ITEM
AND IS THE PROPERTY OF HONEYWELL.
THIS DRAWING IS NOT TO BE COPIED OR USED
WITHOUT THE PERMISSION OF HONEYWELL.

INTERPRET PER ASME Y14.5M-1994
OTHER HONEYWELL ENGINEERING
STANDARDS MAY APPLY

AUTOCAD 2D

Honeywell

TITLE VACUUM SWITCH N.C.
SCREW TERMINALS
5000 SERIES SWITCH

SIZE	TYPE	CAGE CODE	DRAWING NAME	REV
A	I	-	77344	B

SCALE	NONE	SHEET	1 OF 1
-------	------	-------	--------

THIRD ANGLE PROJECTION



X-ON Electronics

Largest Supplier of Electrical and Electronic Components

Click to view similar products for [Industrial Pressure Sensors](#) category:

Click to view products by [Honeywell](#) manufacturer:

Other Similar products are found below :

[75380-05](#) [76053-00000300-01](#) [76053-00000300-05](#) [76061-00000015-01](#) [76062-B00000350-01](#) [76063-00000350-05](#) [76083-05000500-01](#)
[76311-05](#) [76577-00000070-01](#) [76584-M00000100-24](#) [77343-24.0H2-01](#) [77343-25.0H2-01](#) [78291-B00000060-01](#) [78303-B00000400-01](#)
[78303-B00000400-05](#) [78316-B00000030-01](#) [78353-B00000020-05](#) [78665-00000014-05](#) [78677-B00000070-05](#) [78678-00000040-01](#) [79279-](#)
[00000060-01](#) [79296-B00000350-01](#) [79322-00250035-01](#) [79614-30.0H2-14](#) [79670-00000090-15](#) [79700-00002750-01](#) [79917-B00000280-01](#)
[80569-00700100-01](#) [81509081](#) [81739-B00000900-01](#) [81807-B00000020-01](#) [MLH010BST01A](#) [MLH010BST14A](#) [MLH025BGC13B](#)
[MLH025BSCDJ1292](#) [MLH025BSCDJ1303](#) [MLH750PSCDJ1245](#) [82903-B00000020-01](#) [83250-02500600-05](#) [83271-00000040-04](#) [83278-](#)
[B00000200-21](#) [83286-00000150-01](#) [83299-00000150-05](#) [83303-00000600-01](#) [83305-00001350-01](#) [83330-00000100-01](#) [83349-00001470-24](#)
[83350-04.0HG-05](#) [83350-15.0H2-05](#) [83357-00000030-21](#)