

MICRO SWITCH
a Honeywell Division
FED. MFG. CODE 91929

ASSEMBLY - SWITCH

CATALOG LISTING

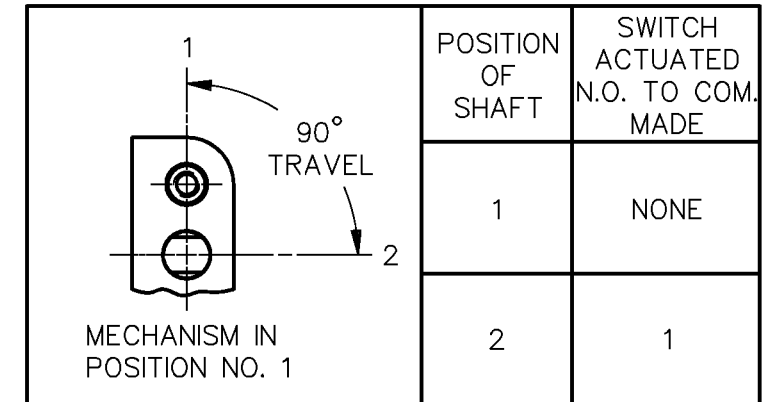
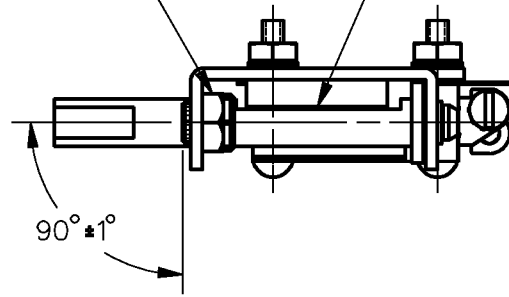
7AS12

KS-G0120

FAA-PMA

2X 6-32 UNC THREAD LOCKING
TYPE HEX NUT .31 ACROSS FLATS

DETENT SPRING

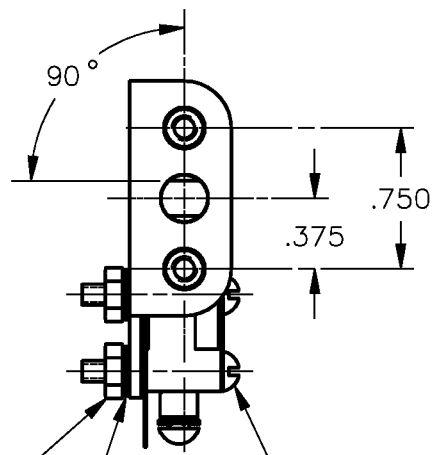


CATALOG LISTING
7AS12
PAGE 1 OF 1
ISSUE 11

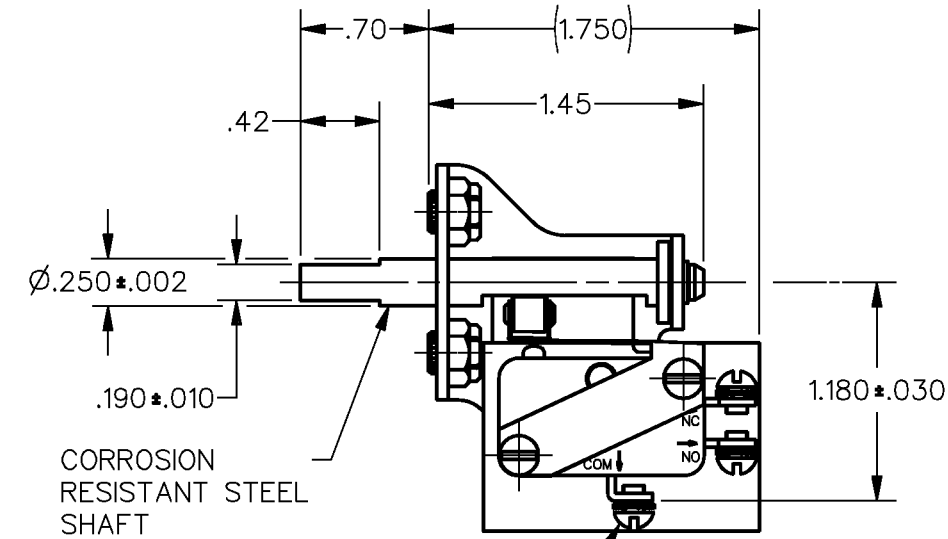
REVISIONS

A	CO-70985	MAM	6 DEC 93
B	CO-93073	DIT	22 JUL 98
C	CO-92864	TSM	3 NOV 98

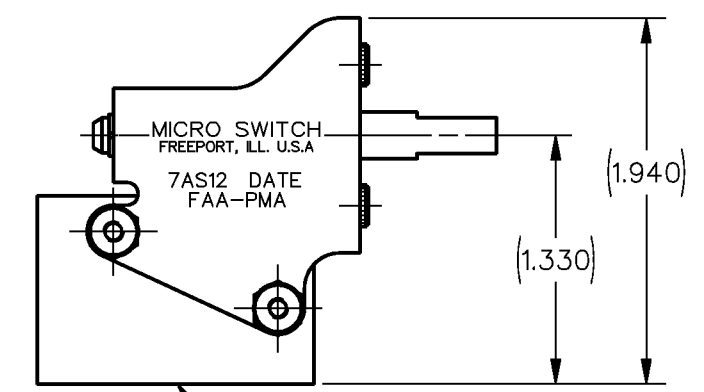
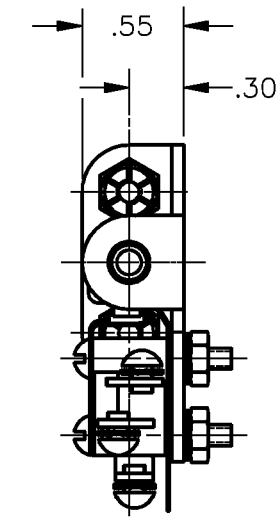
DDM/CAD
DRAWN
MAM
6 DEC 93
CHECKED
AW
7 DEC 93
CHECKED



2X HEX NUT
2X LOCKWASHER
2X ROUND HEAD MACHINE SCREW



3X 4-40 UNC X (.125) ROUND HEAD TERMINAL SCREW AND LOCKWASHER



FLEXIBLE INSULATOR

THIS DRAWING COVERS A PROPRIETARY ITEM AND IS THE PROPERTY OF MICRO SWITCH. A DIVISION OF HONEYWELL. THIS DRAWING IS NOT TO BE COPIED OR USED WITHOUT THE APPROVAL OF MICRO SWITCH

CHARACTERISTICS	ELECTRICAL DATA
	CONTACT ARRANGEMENT S P D T
	15.1A 1/2HP 125, 250 VAC 1/2A 125 VDC, 1/4A 250 VDC 5A 125 VAC "L"

THIRD ANGLE PROJECTION

SCALE	FULL
DO NOT SCALE PRINT	
UNLESS OTHERWISE SPECIFIED TOLERANCES ARE	
ONE PLACE	(.0) ± .030
TWO PLACE	(.00) ± .015
THREE PLACE	(.000) ± .005
ANGLES	± 3°
WEIGHT	

NOTES
1 - UNIT INCLUDES CATALOG LISTING V3-201 BASIC SWITCH
2 - SWITCH WILL PERFORM SATISFACTORILY IN TEMPERATURES TO MINUS 20°F
3 - CATALOG LISTING, DATE OF MANUFACTURE AND FAA-PMA IS MARKED ON BRACKET

ANSI Y14.5M-1982 APPLIES

X-ON Electronics

Largest Supplier of Electrical and Electronic Components

Click to view similar products for [Basic / Snap Action Switches](#) category:

Click to view products by [Honeywell](#) manufacturer:

Other Similar products are found below :

[5SM901-S12](#) [5SM9-S12N195](#) [01.098.1358.1](#) [602EN532](#) [602EN535-RB](#) [602HE5-RB1](#) [604HE162](#) [604HE223-6B](#) [624HE17-RB](#) [6HM82](#)
[6HM89](#) [6SE1](#) [6SX1-H58](#) [70500216](#) [70599106](#) [MBD5B1](#) [MBH2731](#) [73-316-0012](#) [EXD-AR20](#) [79211923](#) [79218589](#) [7AS12](#)
[MIL30126AB6BBMD4A12XAU](#) [ML-1155](#) [ML-1376](#) [831010C3.0](#) [831090C2.EL](#) [83131904](#) [84212012](#) [8AS239](#) [8HM73-3](#) [8SX26-H33](#)
[914CE1-6G](#) [PL-100](#) [11SM1077-H4](#) [11SM1077-H58](#) [11SM1-TN107](#) [11SM405](#) [11SM8423-H2](#) [11SX37-T](#) [11SX48-H58](#) [11SM2442-T](#)
[11SM76-T](#) [11SM77-H58](#) [11SM77-T](#) [11SM863-T](#) [11SM866](#) [A7CN-1M-1-LEFT](#) [A831700C7.0](#) [121EN187-R](#)