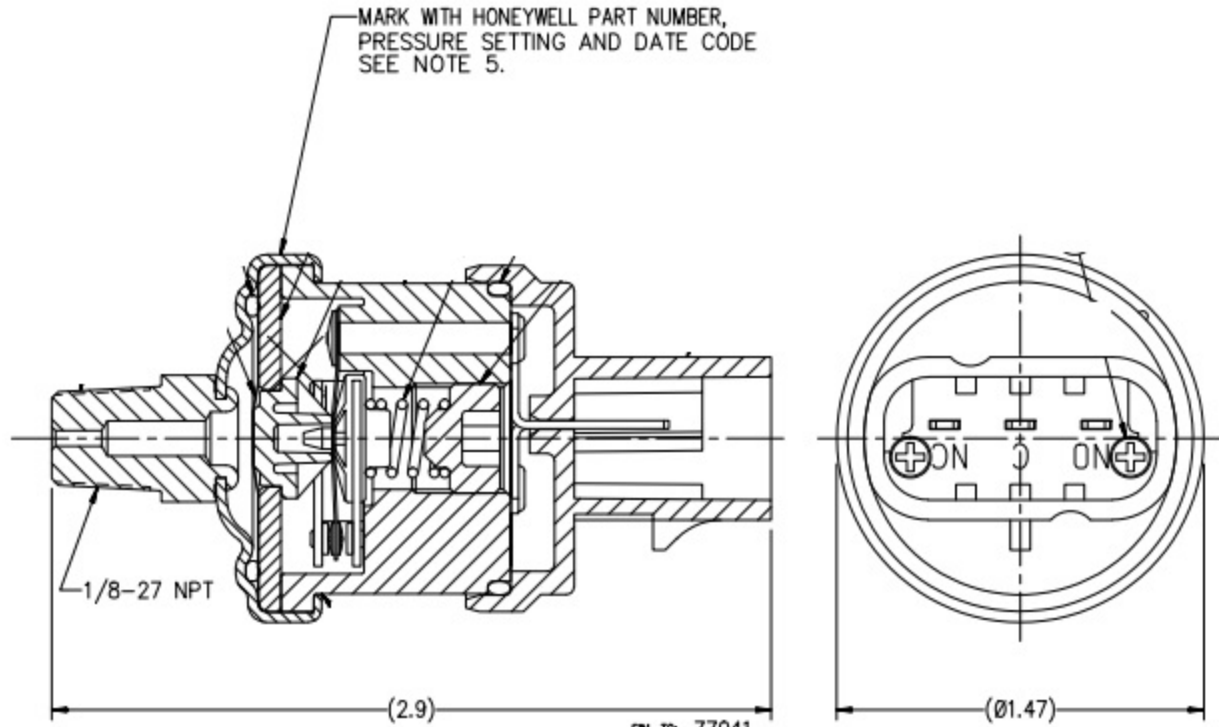


HONEYWELL
PART NUMBER
83278

REV	DOCUMENT	CHANGED BY	CHECK
B	0069593	VKK 27SEP10	CMH

MARK WITH HONEYWELL PART NUMBER,
PRESSURE SETTING AND DATE CODE
SEE NOTE 5.



- NOTES:
1. DUAL CIRCUIT PRESSURE SWITCH.
 2. ADJUSTMENT RANGE 18-24 PSI.
 3. SEE SPEC. 99005 FOR MANUFACTURING SPECIFICATION.

5. THE DATE CODE SHALL CONSIST OF FOUR DIGITS
W/THE 1ST TWO DIGITS BEING THE YEAR AND THE
2ND TWO DIGITS BEING THE WEEK OF THE YEAR.

DESIGN UNITS: INCH			
TOLERANCES UNLESS NOTED:			
NO PLACES	X	±	-
ONE PLACE	.X	±	.020
TWO PLACE	.XX	±	.020
THREE PLACE	.XXX	±	.005
ANGLES	X	±	0' 30"
THIRD ANGLE PROJECTION			

DRAWN	KMJ	14OCT99
CHECK	-	-
THIS DRAWING COVERS A PROPRIETARY ITEM AND IS THE PROPERTY OF HONEYWELL. THIS DRAWING IS NOT TO BE COPIED OR USED WITHOUT THE PERMISSION OF HONEYWELL.		
INTERPRET PER ASME Y14.5M-1994 OTHER HONEYWELL ENGINEERING STANDARDS MAY APPLY		
AUTOCAD 2D		

Honeywell			
TITLE PRESSURE SWITCH D.C. METRI-PACK 5000 SERIES SWITCH			
SIZE	TYPE	CAGE CODE	DRAWING NAME
B	E	-	83278
SCALE	2:1	SHEET	1 OF 1

X-ON Electronics

Largest Supplier of Electrical and Electronic Components

Click to view similar products for [Industrial Pressure Sensors](#) category:

Click to view products by [Honeywell](#) manufacturer:

Other Similar products are found below :

[75380-05](#) [76053-00000300-01](#) [76053-00000300-05](#) [76061-00000015-01](#) [76062-B00000350-01](#) [76063-00000350-05](#) [76083-05000500-01](#)
[76311-05](#) [76577-00000070-01](#) [76584-M00000100-24](#) [77343-24.0H2-01](#) [77343-25.0H2-01](#) [78291-B00000060-01](#) [78303-B00000400-01](#)
[78303-B00000400-05](#) [78316-B00000030-01](#) [78353-B00000020-05](#) [78665-00000014-05](#) [78677-B00000070-05](#) [78678-00000040-01](#) [79279-](#)
[00000060-01](#) [79296-B00000350-01](#) [79322-00250035-01](#) [79614-30.0H2-14](#) [79670-00000090-15](#) [79700-00002750-01](#) [79917-B00000280-01](#)
[80569-00700100-01](#) [81509081](#) [81739-B00000900-01](#) [81807-B00000020-01](#) [MLH010BST01A](#) [MLH010BST14A](#) [MLH025BGC13B](#)
[MLH025BSCDJ1292](#) [MLH025BSCDJ1303](#) [MLH750PSCDJ1245](#) [82903-B00000020-01](#) [83250-02500600-05](#) [83271-00000040-04](#) [83278-](#)
[B00000200-21](#) [83286-00000150-01](#) [83299-00000150-05](#) [83303-00000600-01](#) [83305-00001350-01](#) [83330-00000100-01](#) [83349-00001470-24](#)
[83350-04.0HG-05](#) [83350-15.0H2-05](#) [83357-00000030-21](#)