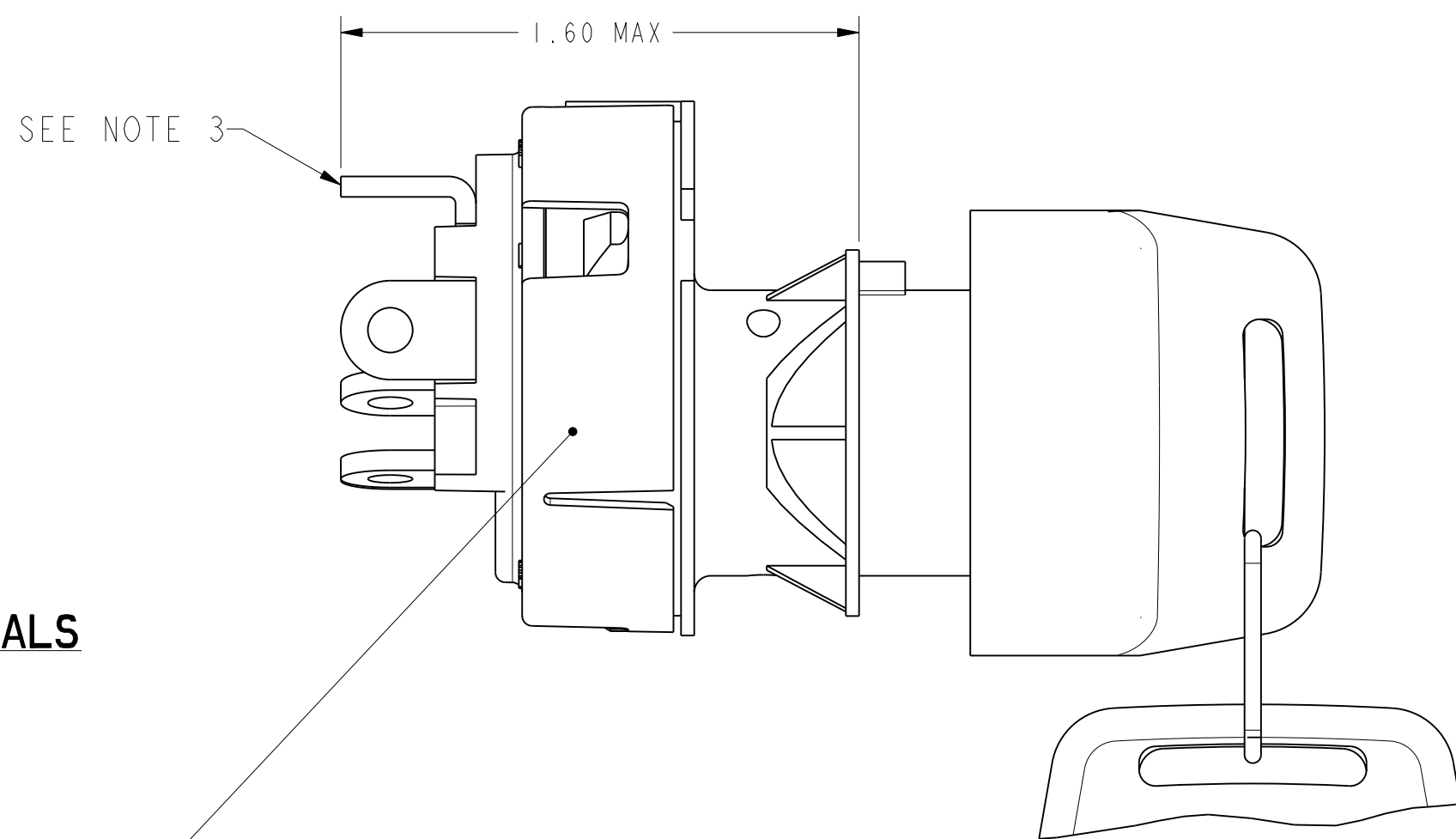
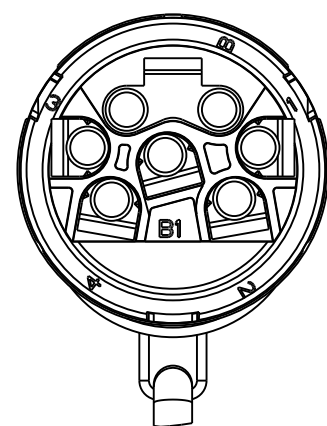
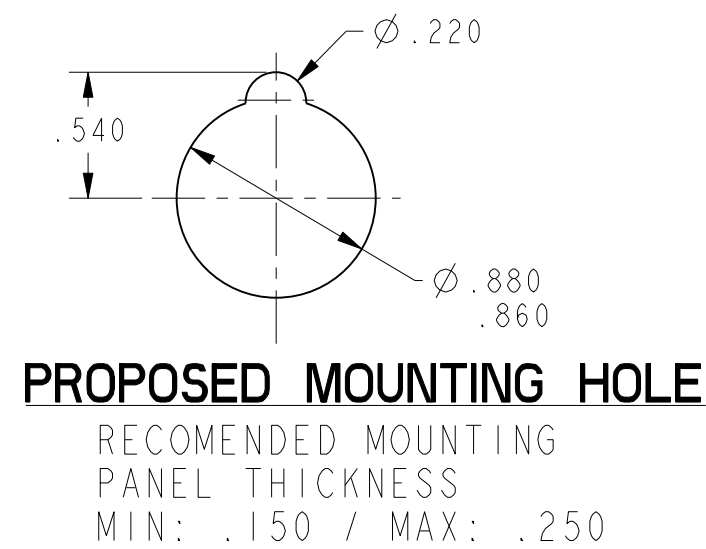
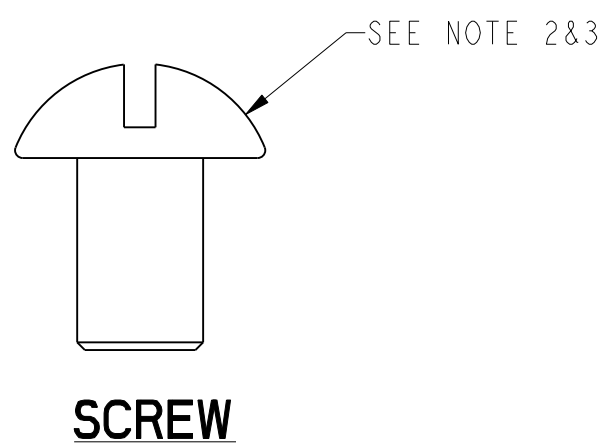
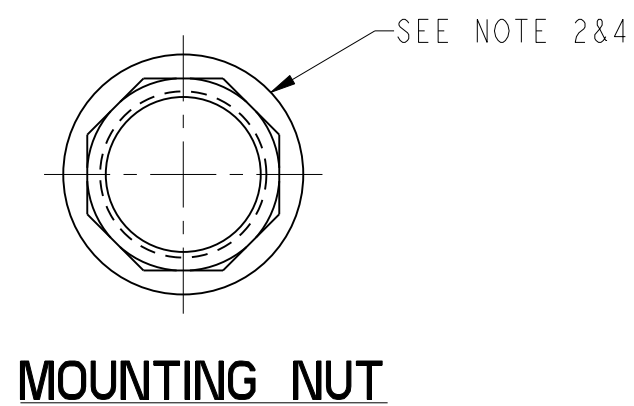


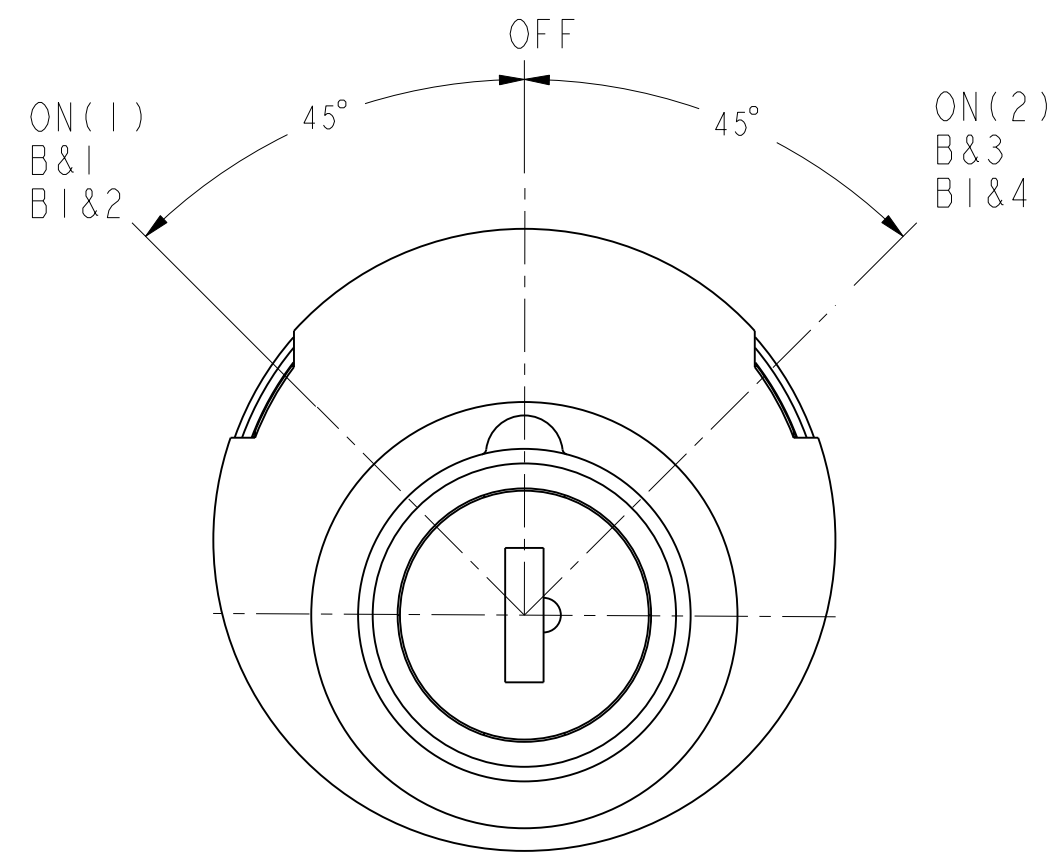
HONEYWELL PART NUMBER
88927

**ELECTRIC MOBILITY
PART NO. 082609**

REV	DOCUMENT	CHANGED BY	CHECK
B	0011039	DVM 07FEB05	AK



LABEL TO BE ADHERED AROUND SWITCH BODY.
TO INCLUDE: DATE CODE, ELECTRIC MOBILITY
PART NO. AND ELECTRICAL RATINGS.



NOTES:

- 1 - ON/OFF/ON
KEY REMOVABLE IN OFF POSITION.
- 2 - NUT & SCREWS ARE NOT INSTALLED, SHIPPED WITH SWITCHES PER
PACK-OP #994400 (QTY: 6 SCREWS, 1 NUT PER SWITCH).
- 3 - TERMINALS TO ACCEPT #8-32X.25 SCREWS;
TORQUE TO 10±1 IN.LBS.
- 4 - TORQUE NUT TO 50 IN.LBS. MAX.

CUSTOMER PRINT

DESIGN UNITS: INCH TOLERANCES UNLESS NOTED:	DRAWN PM 06APR04	Honeywell		
NO PLACE X ± 0.040 ONE PLACE .X ± 0.020 TWO PLACE .XX ± 0.010 THREE PLACE .XXX ± 0.005 FOUR PLACE .XXXX ± 0.0005 ANGLES X ± 2	CHECK AK 07FEB05			KEY SWITCH ASSEMBLY (6-TERMINAL)
THIRD ANGLE PROJECTION 	THIS DRAWING COVERS A PROPRIETARY ITEM AND IS THE PROPERTY OF HONEYWELL. THIS DRAWING IS NOT TO BE COPIED OR USED WITHOUT THE PERMISSION OF HONEYWELL.		REV B	
	INTERPRET PER ASME Y14.5M-1994 OTHER HONEYWELL ENGINEERING STANDARDS MAY APPLY	SIZE C	TYPE I	DRAWING NAME 88927
	Pro/ENGINEER 3D	SCALE 2:1	SHEET 1 OF 1	

X-ON Electronics

Largest Supplier of Electrical and Electronic Components

Click to view similar products for [Keylock Switches](#) category:

Click to view products by [Honeywell](#) manufacturer:

Other Similar products are found below :

[89496-09](#) [58J1007](#) [58J8A45-01B05N](#) [719-0201-000](#) [719-0202-000](#) [719-0702-000](#) [719-5504-000](#) [84800-04](#) [GKNC33L](#) [GKNC3L](#)
[PVA2OAH5](#) [HA1K-2C2VA-2](#) [14-136.025K](#) [14-235.022K](#) [AS6H-2K2A](#) [AS6M-2K1B](#) [AS6Q-2K2A](#) [AS6Q-3K2A](#) [1571487-1](#) [HW4K-2BF20](#)
[KEY-AS6](#) [KH3C-20C](#) [8928K493](#) [2SWK131AL102](#) [AS6M-2K1A](#) [AS6Q-2K1PB](#) [51-401.036D](#) [51-401.036K](#) [51-414.036D](#) [HW1K-31BF20](#)
[HW1K-3HF20](#) [Y1112-2027CLFT](#) [51-155.025D](#) [51-295.022D](#) [51-404.036D](#) [51-405.036D](#) [51-415.036D](#) [1-1437597-8](#) [58J8A36-01B04N](#)
[58M1422](#) [86945-05](#) [719-0204-000](#) [719-0205-000](#) [719-0801-000](#) [719-0804-000](#) [719-0805-000](#) [88422-18](#) [58J8A90-01C02N](#) [58J9P36-](#)
[01B09N](#) [58J8A36-01C03N](#)