

## Interactive Catalog Supplements Catalog PDFs

If you need detailed product information, or help choosing the right product for your application, see our [Interactive Catalog](#). Use the [Interactive Catalog](#) to access the most complete and up-to-date information available.

The [Interactive Catalog](#) provides an extensive collection of product specifications, application data, and technical literature that can be searched based on criteria you select.

This PDF catalog information was published in November 2000.



Sensing and Control  
[Interactive Catalog...](#)

**Click this icon to try  
the Interactive Catalog.**

---

### Sensing and Control

Honeywell Inc.

11 West Spring Street

Freeport, IL 61032



N = Newtons

\* Actuation is designated as CW (clockwise) or CCW rotation, when looking at the switch nameplate.

† Choice of levers available for use with OP-AR20: **6PA5-EX** (non-sparkling roller), **6PA6-OP** (steel roller), **6PA127-EX** (nylon roller), **6PA130-EX** (CW), **6PA142-EX** (CCW), and **6PA136-EX** (Aluminum rod).

Characteristics: O.F. — Operating Force; P.T. — Pretravel; O.T. — Overtravel; D.T. — Differential Travel

For rapid response – off the shelf service, all **bold face** listings are normally stocked items.

Description		Elec. Rating	Catalog Listing	O.F.	max. mm in.	O.T. max.	max. mm in.
Roller Lever is field adjustable through 360°	CW actuation* SPDT	A	<b>OP-AR</b>	2,22-5,56 N .5-1.25 lbs.	5,56 .219 (8°)	90°	0,18 .007 (.25°)
	CW actuation* SPDT will withstand 400°F for 100 hours	E	OP-AR400	2,22-5,56 N .5-1.25 lbs.	5,56 .219 (8°)	90°	0,18 .007 (.25°)
	CW actuation* High capacity. SPDT	D	<b>OPA-AR</b>	3,34-8,90 N .75-2 lbs.	5,56 .219 (8°)	25°	0,3 .012 (.4°)
	CW actuation* DPDT	B	<b>OPD-AR</b>	2,22-6,67 N .5-1.5 lbs.	4,78 .250 (10°)	25°	2,77 .109 (4°)
	CCW actuation* SPDT	A	<b>OP-AR30</b>	1,11 N max. 2.5 lbs. max.	1,65 .065 (3.5°)	25°	0,18 .007 (.25°)
	CCW actuation* Basic switch plunger held depressed (normal position) DPDT	B	<b>OPD-AR30</b>	12,2 N max. 2.75 lbs. max.	5,56 .219 (8°)	25°	2,77 .109 (4°)
	CW or CCW actuation* No lever return spring. No mounting bracket furnished. SPDT.	A	OP-AR16	0,56 N max. 2 oz. max.	—	—	—
No lever furnished.† CW actuation.* SPDT		A	<b>OP-AR20</b>	0,08-0,23 N .75-2 in. lb.	8°	90°	.25°



In-line actuation	SPDT	A	OP-Q	47,2±1,52 1.859±.060	13,3 3	1,98 .078	4,78 .188	0,10 .004
	High Capacity SPDT	D	OPA-Q	46±1,52 1.812±.060	8,90 2	1,27 .050	3,18 .125	0,23 .009
	DPDT	B	OPD-Q	46±1,52 1.812±.060	13,3 3	2,77 .109	3,58 .141	1,52 .060

## BOOT SEALED PLUNGER ACTUATED SWITCH

### ORDER GUIDE

Description	Elec. Rating	Catalog Listing	O.F. max. N lbs.	P.T. max. mm in.	O.T. min. mm in.	D.T. max. mm in.
In-line actuation with boot seal	A	OP-N	15,5 3.5	1,98 .078	4,78 .188	0,10 .004

\* Clockwise actuation, when looking at the switch nameplate.  
N = Newtons

Characteristics: O.F. — Operating Force; P.T. — Pretravel; O.T. — Overtravel; D.T. — Differential Travel; O.P. — Operating Position

Switching Packet	Cable O.D. Inches
2PA6	.400" - .435"
2PA16	.435" - .470"
2PA1	.530" - .570"

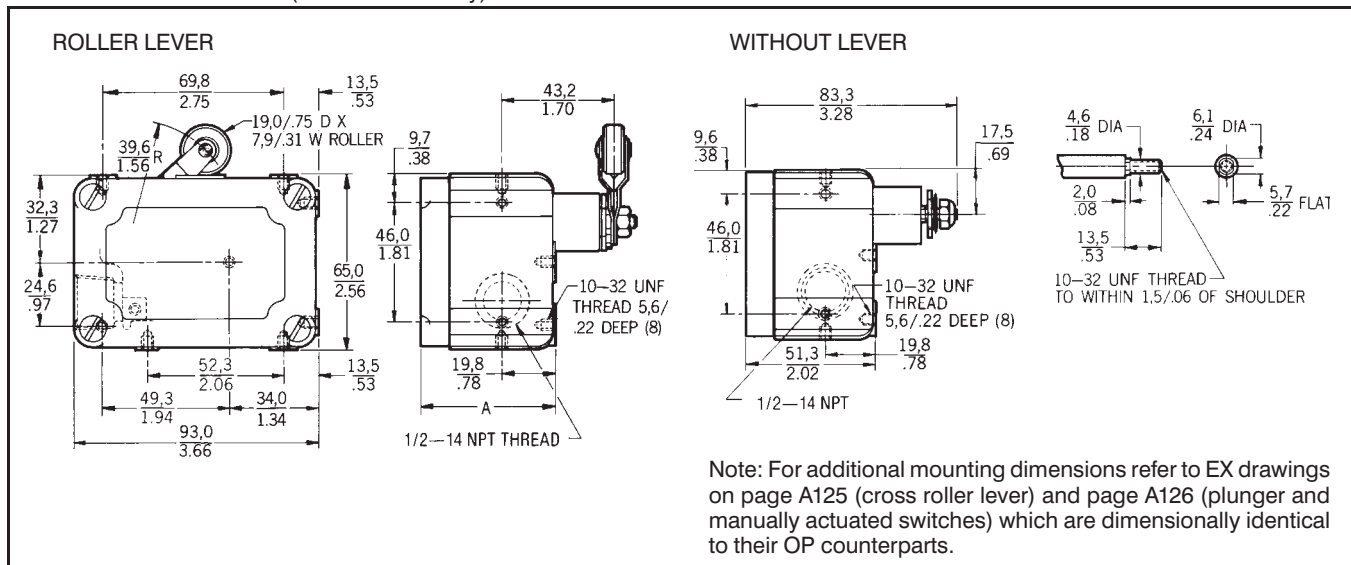
(See page A99 for description.)

15PA85-EX is used for top, bottom, back or end mounting. It is furnished with each switch, except OP-AR16 and OP-AR62.

15AP86-EX is ordered separately for top mounting of plunger switches.

(Switches may also be direct mounted using 10-32 NF screws.)

## MOUNTING DIMENSIONS (For reference only)



## X-ON Electronics

Largest Supplier of Electrical and Electronic Components

*Click to view similar products for [Switch Fixings](#) category:*

*Click to view products by [Honeywell](#) manufacturer:*

Other Similar products are found below :

[893102000](#) [00-5150](#) [LZZ1A](#) [0098.9234](#) [M2PA-5011](#) [630155](#) [635401](#) [6PA113](#) [6PA147-E6](#) [6PA148-E6](#) [6PA32](#) [6PA9](#) [700106](#) [700109](#)  
[700303A56](#) [700C1GRY](#) [700C2GRN](#) [704-6001](#) [704.960.9](#) [704.965.2](#) [704.965.6](#) [704.966.0](#) [7089-3](#) [710082-B11](#) [71M1048](#) [757200264](#)  
[764300000](#) [MHU35](#) [MHU37](#) [807039-1](#) [825.003.011](#) [825.005.011](#) [825.053.011](#) [825.055.011](#) [826.000.071](#) [827.020.011](#) [827.400.021](#)  
[835.900.023](#) [MML52C10C](#) [MML52E10C](#) [MML92HGH](#) [MML93K](#) [84211M02CNNS](#) [84212M02CNNS](#) [842.500.011](#) [843.000.011](#) [843187-](#)  
[000](#) [843487-000](#) [84-901](#) [84-902](#)