

MICRO SWITCH

A DIVISION OF MINNEAPOLIS-HONEYWELL REGULATOR COMPANY

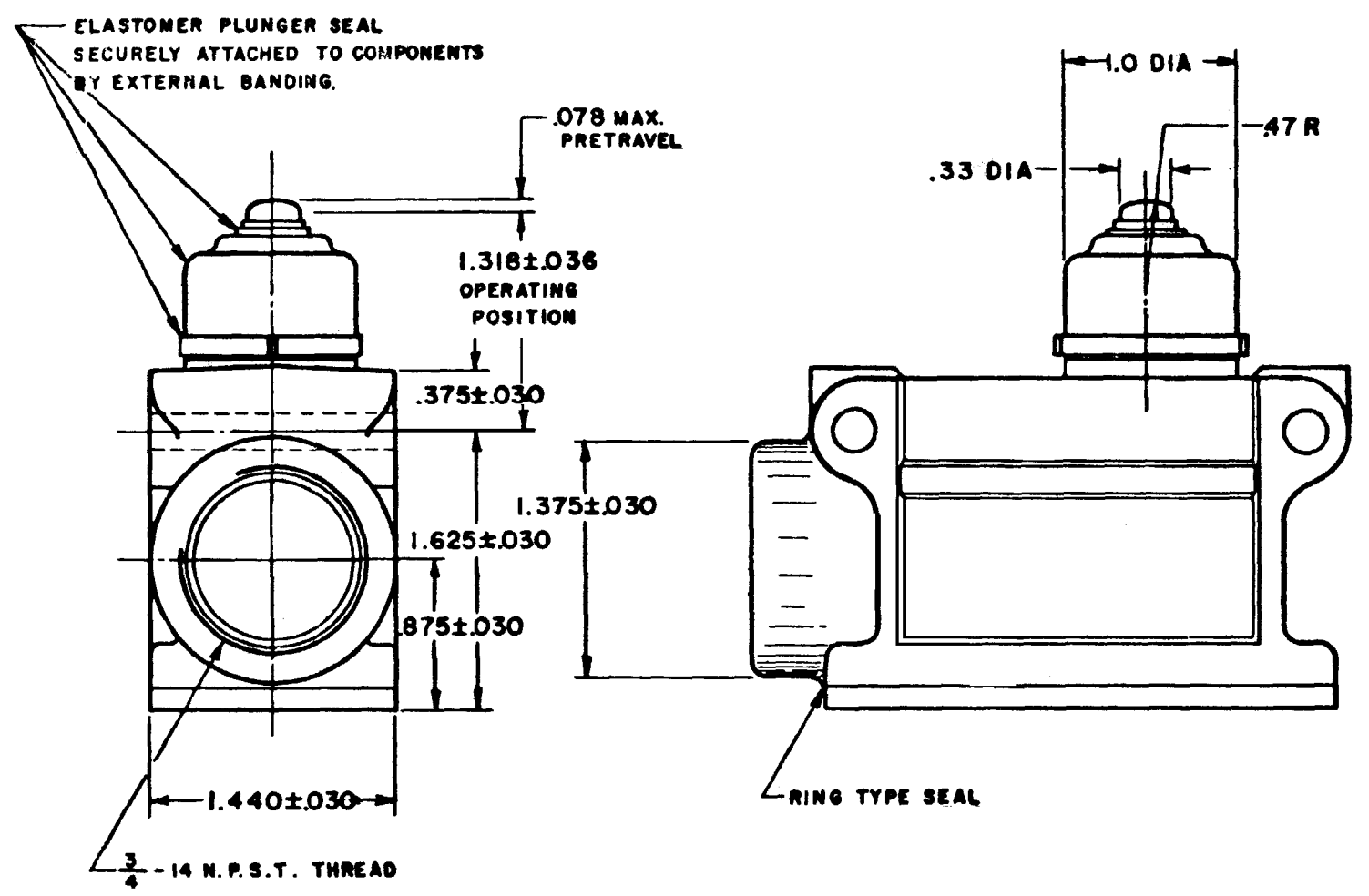
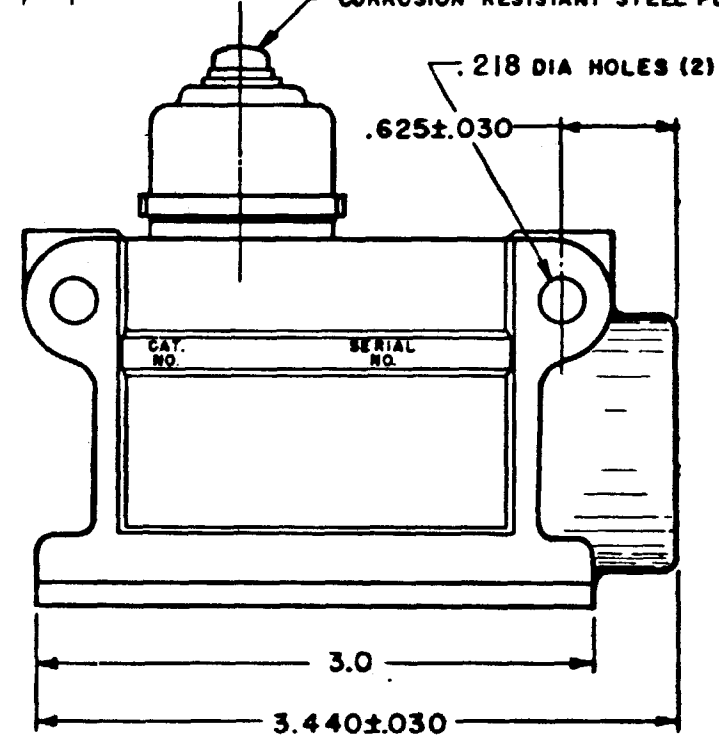
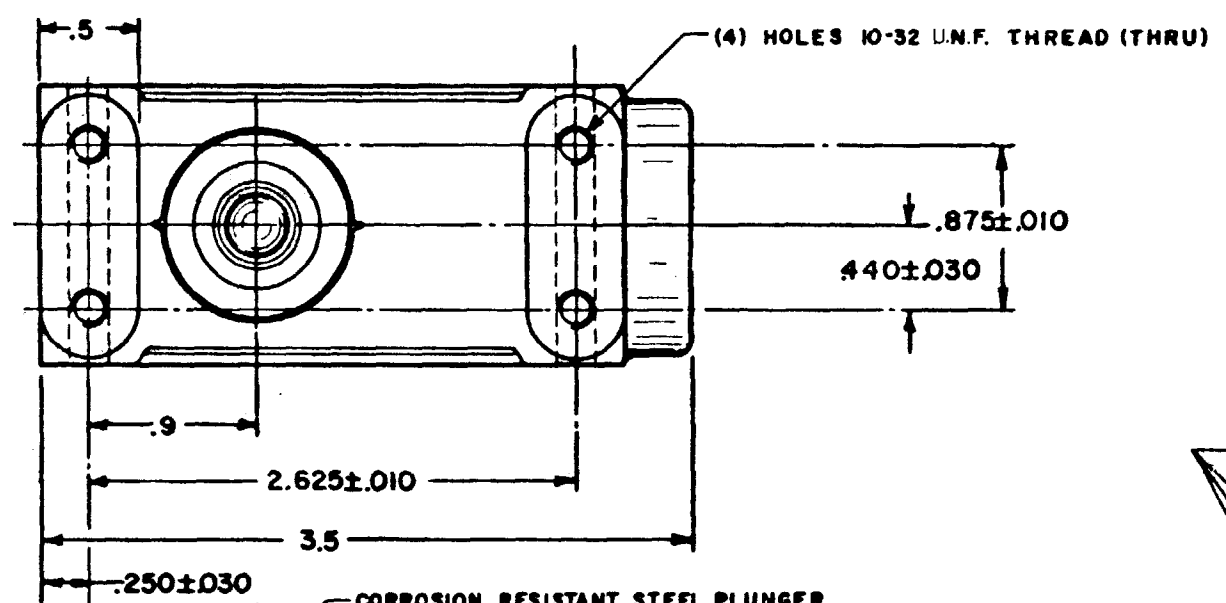
FED. MFR. CODE 91929

SWITCH - ENCLOSED

CATALOG LISTING

9-11585

9-11585
 DRAWING NUMBER
 ISSUE 17
 REVISIONS
 A CO 46881 G J W 28 JAN 80
 B REINST PR-8532 G J W 7 MAR 80
 C CO65062 S L B 16 APR 90
 D 204537 G J W DEC 01
 E 0007749 TCC-AP SEP 04
 F 0040541 NR 12 JUN 08
 G J W 7 MAR 80
 50378 003
 DRAWN
 CHECK C E B B MAR 80
 CHECK CMH 12 JUN 08
 CHECK PR-8532
 REPLACES



THIS DRAWING COVERS A PROPRIETARY ITEM AND IS THE PROPERTY OF MICRO SWITCH, A DIVISION OF MINNEAPOLIS-HONEYWELL REGULATOR CO. THIS DRAWING IS NOT TO BE COPIED OR USED WITHOUT THE APPROVAL OF MICRO SWITCH.

CHARACTERISTICS	ELECTRICAL DATA		SCALE FULL
OPERATING FORCE ----- 28-54 OZ	CONTACT ARRANGEMENT	BREAK DISTANCE	DO NOT SCALE PRINT
DIFFERENTIAL TRAVEL ----- .005 MAX	S P D T	.070 MIN	UNLESS OTHERWISE SPECIFIED
RELEASE FORCE ----- 10 OZ MIN			DIMENSIONS ARE IN INCHES
			TOLERANCES ARE
OVERTRAVEL ----- .188 MIN			ONE PLACE (.0) ± .050
FULL OVERTRAVEL FORCE ----- 13 LB MAX			TWO PLACE (.00) ± .015
			THREE PLACE (.000) ± .008
			ANGLES ±
			WEIGHT

NOTE
1 - ALUMINUM ENCLOSURE FINISHED WITH PRIMER

X-ON Electronics

Largest Supplier of Electrical and Electronic Components

Click to view similar products for [Basic / Snap Action Switches](#) category:

Click to view products by [Honeywell](#) manufacturer:

Other Similar products are found below :

[5SM901-S12](#) [5SM9-S12N195](#) [01.098.1358.1](#) [602EN532](#) [602EN535-RB](#) [602HE5-RB1](#) [604HE162](#) [604HE223-6B](#) [624HE17-RB](#) [6HM82](#)
[6HM89](#) [6SE1](#) [6SX1-H58](#) [70500216](#) [70599106](#) [MBD5B1](#) [MBH2731](#) [73-316-0012](#) [EXD-AR20](#) [79211923](#) [79218589](#) [7AS12](#)
[MIL30126AB6BBMD4A12XAU](#) [ML-1155](#) [ML-1376](#) [831010C3.0](#) [831090C2.EL](#) [83131904](#) [84212012](#) [8AS239](#) [8HM73-3](#) [8SX26-H33](#)
[914CE1-6G](#) [PL-100](#) [11SM1077-H4](#) [11SM1077-H58](#) [11SM1-TN107](#) [11SM405](#) [11SM8423-H2](#) [11SX37-T](#) [11SX48-H58](#) [11SM2442-T](#)
[11SM76-T](#) [11SM77-H58](#) [11SM77-T](#) [11SM863-T](#) [11SM866](#) [A7CN-1M-1-LEFT](#) [A831700C7.0](#) [121EN187-R](#)