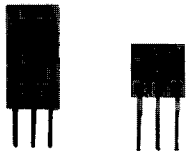


Solid State Sensors

Analog Position Sensors

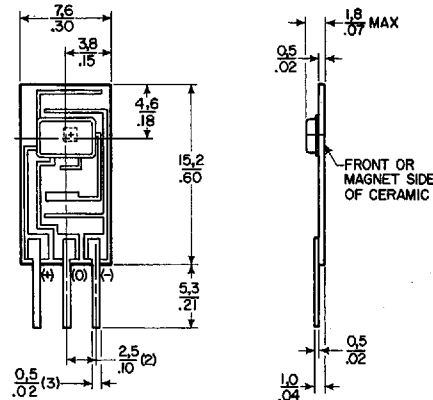
9SS/SS89 Series



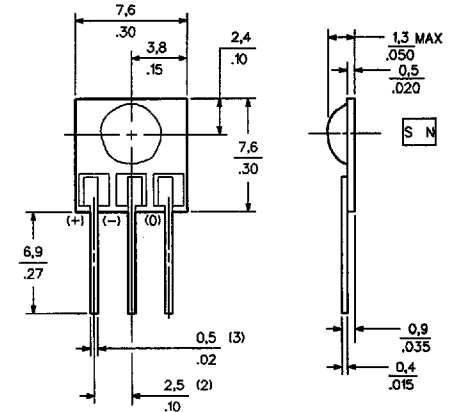
FEATURES

- 9SS – single current sourcing output
- SS89 – single current sinking or current sourcing output
- Three-pin in-line printed circuit board terminals
- Standard .100" mounting centers
- Laser trimmed thin film and thick film resistors minimize sensitivity variations and compensate for temperature variations

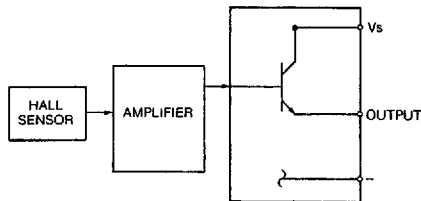
9SS MOUNTING DIMENSIONS (for reference only)



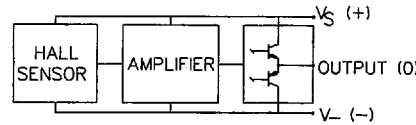
SS89 MOUNTING DIMENSIONS (for reference only)



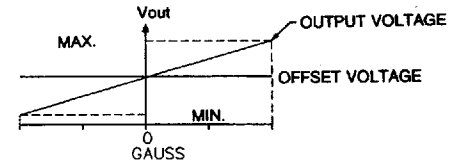
BLOCK DIAGRAM 91SS12-2



SS89A1



TRANSFER CHARACTERISTICS



ORDER GUIDE

Catalog Listings	91SS12-2	SS89A1
Supply Voltage (VDC)	8 to 16 Performance @ 12 VDC	5.4 to 13.2 Performance @ 8 VDC
Supply Current (mA)	19 max.	13 typ., 18 max.
Output Current/Type	Ratiometric/Sourcing	Ratiometric/Sinking or Sourcing 1 mA max.
Response Time	3 μs max.	3 μs typ.
Magnetic Characteristics		
Span*	6.0 V (-400 to +400 gauss)	0.625 V _s (-500 to +500 gauss)
Null (Offset @ 0 gauss)	6.0 ± 0.6 V	4.0 ± 0.04 V
Sensitivity (mV per gauss @ 25°C)	7.5 ± 0.2	5.0 ± 0.1
Linearity (% span)	± 1.5	0.8 typ., -1.5 max.
Temperature Error (all %s reference 25°C value)		
Null Shift		
-40 to +150°C	± 5%	
-25 to +85°C	± 3%	± 0.03%/°C
0 to +50°C	± 2%	
Gain Shift		
-40 to 0°C	-0.034%/°C	
-20 to +85°C		± 0.045%/°C
0 to 150°C	-0.077%/°C	

* At 25°C

Magnets page 23.

4551830 0019517 6T9

X-ON Electronics

Largest Supplier of Electrical and Electronic Components

Click to view similar products for [Board Mount Hall Effect/Magnetic Sensors](#) category:

Click to view products by [Honeywell](#) manufacturer:

Other Similar products are found below :

[HGPRDT005A](#) [AH1808-P-A](#) [AH277AZ4-AG1](#) [AV-10379](#) [AV-10448](#) [SS41C](#) [AH1894-Z-7](#) [ATS601LSGTN-HT-WU4-T](#) [ATS601LSGTN-LT-WU4-T](#) [TLE4917](#) [50017859-003](#) [TY-13101](#) [SS85CA](#) [AH277AZ4-BG1](#) [TLE49614MXTSA1](#) [AH3382-P-B](#) [AH3377-P-B](#) [AH9250-W-7](#) [AH211Z4-AG1](#) [AH3360-FT4-7](#) [SS460S-100SAMPLE](#) [50065820-03](#) [TLE4941PLUSCB](#) [AH374-P-A](#) [AH1806-P-A](#) [AH374-W-7](#) [SS460P-T2](#) [AH1912-FA-7](#) [SS413F](#) [TLE5046ICAKLRHALA1](#) [TLE49421CHAMA2](#) [TLE4941PLUSCXAMA1](#) [AH1912-W-EVM](#) [AH1903-FA-EVM](#) [AH3774-W-EVM](#) [AH49FNTR-EVM](#) [MMC5633NJL](#) [AH3360-FA-EVM](#) [AH8502-FDC-EVM](#) [AH3366Q-SA-EVM](#) [AH3774-P-EVM](#) [KTH1601SU-ST3](#) [MG910](#) [MG910M](#) [MG911](#) [MG610](#) [MW921](#) [MW922](#) [TLE4998S3XALA1](#) [TLE5011FUMA1](#)