

Interactive Catalog Supplements Catalog PDFs

If you need detailed product information, or help choosing the right product for your application, see our [Interactive Catalog](#). Use the [Interactive Catalog](#) to access the most complete and up-to-date information available.

The [Interactive Catalog](#) provides an extensive collection of product specifications, application data, and technical literature that can be searched based on criteria you select.

This PDF catalog information was published in November 2000.



Sensing and Control
[Interactive Catalog...](#)

**Click this icon to try
the Interactive Catalog.**

Sensing and Control

Honeywell Inc.

11 West Spring Street

Freeport, IL 61032

0.5 amp, 125 VDC ; 0.4 amp, 250 VDC

** Resistive Rating

NOTE: The terminals of two-circuit double-break switches must be wired to equal voltage sources and the same polarity. The loads should be on the same side of the line.

ROLLER LEVER ROTARY ACTUATED SWITCHES

(To order switches and levers separately, refer to pages A73 and A74 or A37 and A38.)

ORDER GUIDE

Momentary action. Steel rollers.



Compact



Plug-in*

Description	Rating	Catalog Listing		O.F. max.	P.T. max.	O.T. min.	D.T. max.
		Compact	Plug-in				
Standard	A	1LS1	201LS1*	13,3 N 3 lb.	20°	30°	12°
20° Pretravel UL/CSA	F	1LS1-L	—	13,3 N 3 lb.	20°	30°	12°
Low Pretravel 5°	B	1LS19	201LS19*	13,3 N 3 lb.	5°	30°	4°
Low Operating Force 5° Pretravel	B	1LS131	—	5,0 N 18 oz.	5°	30°	4°
Standard with indicator light 120 VAC only	C	1LS501	201LS501*	13,3 N 3 lb.	20°	30°	12°
Low Operating Force	A	1LS6	201LS6*	5,0 N 18 oz.	20°	30°	12°
Cavity Mount version of 1LS1	A	7LS1	—	13,3 N 3 lb.	20°	30°	12°

* Require Terminal Block (18PA1 for 200LS switches) which must be ordered separately. Unless damaged, it is not necessary to replace terminal block when replacing switch.

Characteristics: O.F. — Operating Force; P.T. — Pretravel; O.T. — Overtravel; D.T. — Differential Travel.

Compact



WOBBLE LEVER ACTUATED SWITCHES



1



2



3



4

Description	Page A70	Compact	Plug-in	max.	max.	min.	max.
Standard Pretravel 20°	A	1LS10	201LS10*	1,39 N 5 oz.	20°	30°	12°
	UL/CSA	F	1LS10-L				
Low pretravel 5°	B	1LS47	201LS47*	1,39 N 5 oz.	5°	30°	4°
Low pretravel 5° and low operating force	B	1LS53	201LS51*	0,83 N 3 oz.	5°	30°	4°

**Rod fully extended

ORDER GUIDE

Momentary action.

Description	Electrical Rating Page A70	Catalog Listing		O.F. max.	P.T. max.
		Compact	Plug-in		
Flexible cable actuator ¹	D	8LS1	208LS1*	1,39 N 5 oz.	28,6 1.125
	UL/CSA	G	8LS1-L	—	1,39 N 5 oz.
Combination spring-rod ²	D	8LS3	208LS3*	1,39 N 5 oz.	28,6 1.125
Low force steel wire ³	D	8LS125	208LS125*	0,28 N 1 oz.	63,5 2.5
Coil spring ⁴ Stainless steel	D	8LS152	208LS152*	1,39 N 5 oz.	28,6 1.125

* Require Terminal Block (18PA1 for 200LS Switches) which must be ordered separately. Unless damaged, it is not necessary to replace terminal block when replacing switch.

Compact



Description	Electrical Rating Page A70	Catalog Listing		O.F. max. N lb.	P.T. max. mm in.	O.T. min. mm in.	D.T. max. mm in.
		Compact	Plug-in				
Standard side roller	A	4LS1	204LS1*	40 9	2,77 .109	6,35 .250	1,02 .040

SIDE ROLLER PLUNGER ACTUATED SWITCHES

Plug-in*



ORDER GUIDE

Momentary action. Assembled with plunger facing front (label side).

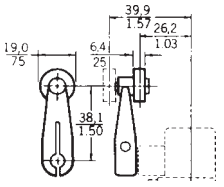
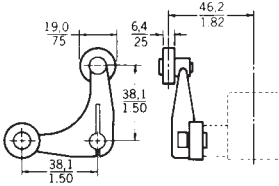
Description	Electrical Rating Page A70	Catalog Listing		O.F. max. N lb.	P.T. max. mm in.	O.T. min. mm in.	D.T. max. mm in.
		Compact	Plug-in				
Standard side roller plunger Steel Roller	A	3LS1	203LS1*	40 9	2,77 .109	5,56 .219	1,02 .040

* Require Terminal Block (18PA1 for 200LS Switches) which must be ordered separately. Unless damaged, it is not necessary to replace terminal block when replacing switch.

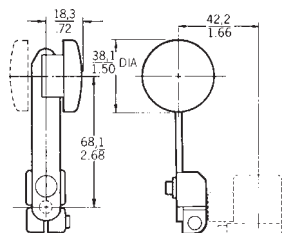
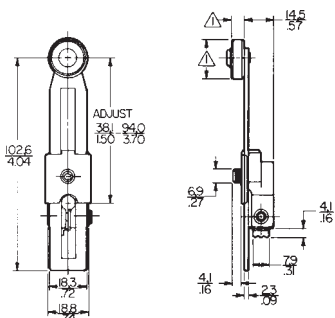
Characteristics: O.F. — Operating Force; P.T. — Pretravel; O.T. — Overtravel; D.T. — Differential Travel.

N = Newton

Roller may be turned in any position through 360°.

	Roller arm, with nylon, steel, or ball bearing roller.	<table border="1"> <tbody> <tr> <td data-bbox="1114 0 1276 74">Nylon</td> <td data-bbox="1276 0 1391 74">6PA71</td> </tr> <tr> <td data-bbox="1114 74 1276 117">Steel</td> <td data-bbox="1276 74 1391 117">6PA121</td> </tr> <tr> <td data-bbox="1114 117 1276 225">Ball bearing</td> <td data-bbox="1276 117 1391 225">6PA144</td> </tr> </tbody> </table>	Nylon	6PA71	Steel	6PA121	Ball bearing	6PA144
Nylon	6PA71							
Steel	6PA121							
Ball bearing	6PA144							
	Yoke roller lever with nylon or steel rollers. <hr/> Rollers on same side.	<table border="1"> <tbody> <tr> <td data-bbox="1114 228 1276 308">Steel</td> <td data-bbox="1276 228 1391 308">6PA80</td> </tr> <tr> <td data-bbox="1114 308 1276 367">Steel</td> <td data-bbox="1276 308 1391 367">6PA82</td> </tr> <tr> <td data-bbox="1114 367 1276 444">Nylon</td> <td data-bbox="1276 367 1391 444">6PA102</td> </tr> </tbody> </table>	Steel	6PA80	Steel	6PA82	Nylon	6PA102
Steel	6PA80							
Steel	6PA82							
Nylon	6PA102							

60mm radius levers Part # PA-J11

	<p>Hand operated aluminum button on stainless steel lever.</p>	<p>6PA57</p>
	<p>Adjustable roller arm with steel or nylon rollers. .75 dia. roller .75 dia. roller 1.00 dia. roller 1.50 dia. roller 2.00 dia. lever</p>	<p>Steel LSZ52D Nylon LSZ52C Nylon LSZ52J Nylon LSZ52K Nylon LSZ52M</p>

1LS56 201LS56	2MN8	2MN13	9PA74†	Note 2
1LS58	2MN8	—	9PA16†	LSZ52C
1LS131	2MN8	—	9PA50	6PA121
1LS501 201LS501	2MN1	2MN14	9PA15	6PA121

†Furnished without actuator.

Note 1—Any auxiliary actuator shown can be used with these listings.

Note 2—6PA43, 6PA63, 6PA71 or 6PA121 auxiliary actuators only are recommended for these listings.

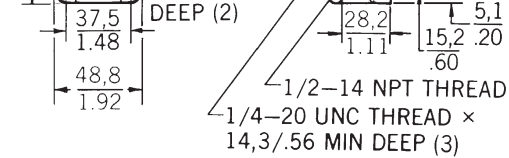
Note 3—Yoke lever actuators normally used.

CONDUIT SEALING PACKETS

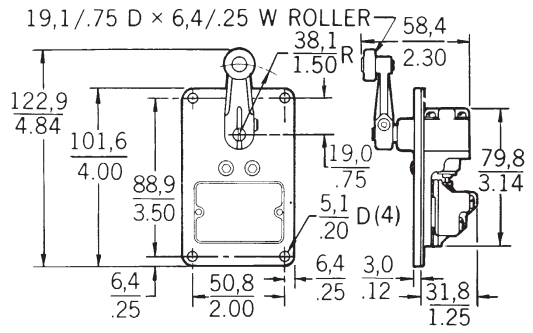
Packet	Cable O.D. Inches
2PA6	.400"—.435"
2PA16	.435"—.470"
2PA1	.530"—.570"

(See page A49 for description)

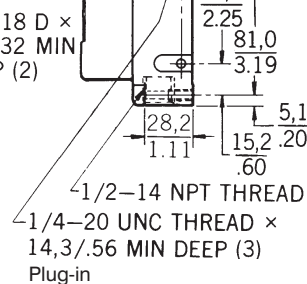
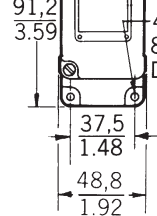
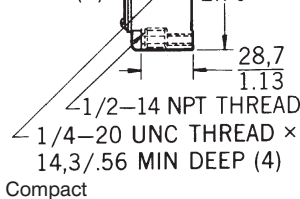
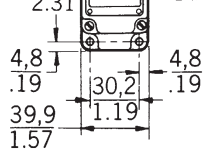
8LS3 208LS3	2MN1	2MN6	9PA49	None
8LS125 208LS125	2MN11	2MN9	9PA54	None
8LS152 208LS152	2MN1	2MN6	9PA42	None



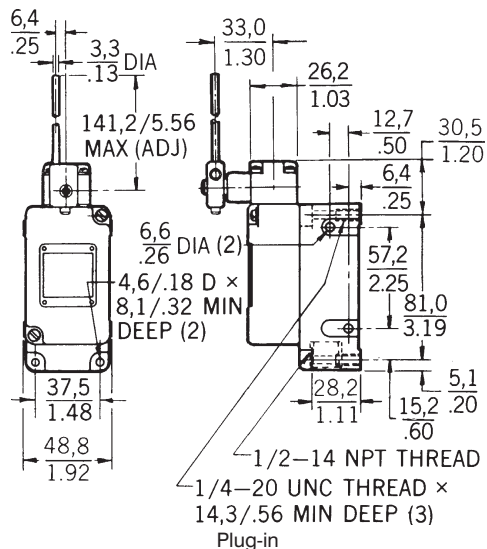
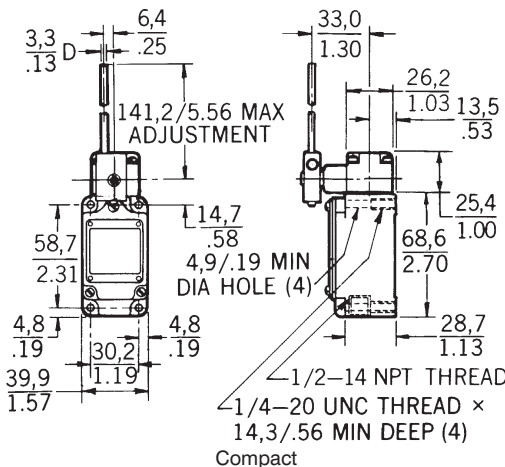
Plug-in



Cavity mount



ADJUSTABLE LENGTH ROD



14,3/.56 MIN DEEP (4)
Compact (spring-rod)

1/4-20 UNC THREAD x
14,3/.56 MIN DEEP (3)
Plug-in (wire)

Key: $\frac{0,0}{0.00} = \frac{\text{mm}}{\text{inches}}$

X-ON Electronics

Largest Supplier of Electrical and Electronic Components

Click to view similar products for [Switch Fixings](#) category:

Click to view products by [Honeywell](#) manufacturer:

Other Similar products are found below :

[893102000](#) [00-5150](#) [LZZ1A](#) [0098.9234](#) [M2PA-5011](#) [630155](#) [635401](#) [6PA113](#) [6PA147-E6](#) [6PA148-E6](#) [6PA32](#) [6PA9](#) [700106](#) [700109](#)
[700303A56](#) [700C1GRY](#) [700C2GRN](#) [704-6001](#) [704.960.9](#) [704.965.2](#) [704.965.6](#) [704.966.0](#) [7089-3](#) [710082-B11](#) [71M1048](#) [757200264](#)
[764300000](#) [MHU35](#) [MHU37](#) [807039-1](#) [825.003.011](#) [825.005.011](#) [825.053.011](#) [825.055.011](#) [826.000.071](#) [827.020.011](#) [827.400.021](#)
[835.900.023](#) [MML52C10C](#) [MML52E10C](#) [MML92HGH](#) [MML93K](#) [84211M02CNNS](#) [84212M02CNNS](#) [842.500.011](#) [843.000.011](#) [843187-000](#) [843487-000](#) [84-901](#) [84-902](#)