

Interactive Catalog Supplements Catalog PDFs

If you need detailed product information, or help choosing the right product for your application, see our **Interactive Catalog**. Use the **Interactive Catalog** to access the most complete and up-to-date information available.

The **Interactive Catalog** provides an extensive collection of product specifications, application data, and technical literature that can be searched based on criteria you select.

This PDF catalog information was published in November 2000.



Sensing and Control
**Interactive
Catalog...**

**Click this icon to try
the Interactive Catalog.**

Sensing and Control

Honeywell Inc.

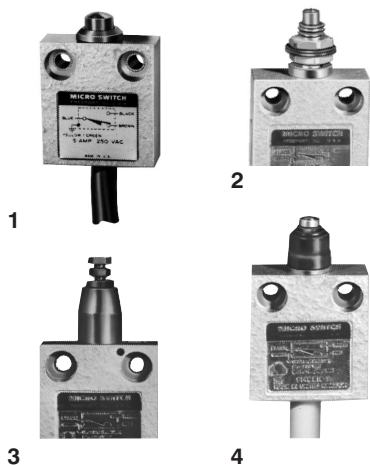
11 West Spring Street

Freeport, IL 61032

914CE's may be specified with 3-foot (0,9 m), 6-foot (1,83 m), or 9-foot (2,74 m) cable.

A 90° steel bracket (Catalog Listing 933PA is available for mounting a switch in various planes relative to the mounting surface. See page A92.

PLUNGER ACTUATED SWITCHES



For rapid response – off the shelf service, all **bold face** listings are normally stocked items.

1



Bottom Exit

1) ORDER GUIDE

Description (Bottom exit cable unless otherwise noted)	Catalog Listing*	NEMA	Elec. Rating	O.F. max.		P.T. max.		O.T. min.		D.T. max.	
				N	lbs.	in.	mm	in.	mm	in.	mm
Plunger ¹	914CE1-3	1,3	A	12,2 2.75	1,8 .071	3,0 .118	0,1 .004				
Plunger ¹ Gold Contacts	914CE1-3G	1,3	B	12,2 2.75	1,8 .071	3,0 .118	0,1 .004				
Plunger ¹ (Side exit cable)	914CE1-3A	1,3	A	12,2 2.75	1,8 .071	3,0 .118	0,1 .004				
Bushing mount Plunger ²	914CE27-3	1,3	A	12,2 2.75	1,8 .071	3,0 .118	0,1 .004				
Adjustable Plunger ³	914CE19-3	1,3,4 12,13	A	22,2 5	1,8 .071	3,0 .118	0,1 .004				
Boot sealed Plunger ¹	914CE18-3	1,3,4 12,13	A	22,3 5	1,8 .071	3,0 .118	0,1 .004				
Side exit cable	914CE18-3A	1,3,4 12,13	A	22,3 5	1,8 .071	3,0 .118	0,1 .004				
Fluorocarbon Seals	914CE18-3V										

N = Newtons

* These listings have 0,9 1m (3ft.) cable. To order 1,83m (6ft.) cable, change the – 3 to – 6. To order 2,74m (9 ft.) cable, change the – 3 to – 9.

Characteristics: O.F. – Operating Force; P.T. – Pretravel; O.T. – Overtravel; D.T. – Differential Travel.

5



6

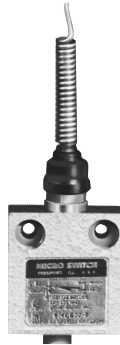
NOTE:

Switches held depressed for extended periods of time at temperature extremes may experience retarded plunger return upon deactuation. Where such a condition exists in the application, contact the 800 number.

Boot Sealed Roller Plunger ⁶ Fluorocarbon Seals	914CE31-3V	1,3,4,6 6P,12,13	A	22,3 5	1,8 .071	3,0 .118	0,1 .004
Boot Sealed Cross Roller Plunger	914CE55-3	1,3,4,6 6P,12,13	A	22,3 5	1,8 .071	3,0 .118	0,1 .004
Ball Bearing ⁶	914CE66-3	1,3	A	12,2 2.75	1,8 .071	3,0 .118	0,1 .004

SIDE ROTARY AND WOBBLE ACTUATED SWITCHES

5



6

ORDER GUIDE

Lever not included on side rotary versions. Any LS or HDLS lever may be used. See pages A37 to A39.

Description (Bottom exit)	Catalog Listing	NEMA	Elec. Rating	O.F. max.	P.T. max.	O.T. min.	D.T. max.
Side*** rotary ⁶	914CE16-3	1,3,4,6 6P,12,13	A	0,34 Nm 3 in. lbs.	30°	40°	3°
Side rotary ⁶ Side exit cable	914CE16-3A	1,3,4,6 6P,12,13	A	0,34 Nm 3 in. lbs.	30°	40°	3°
Multidirectional spring wire wobble actuator ⁶	914CE20-3	1,3,4,6 6P,12,13	A	0,56 N 2 oz.	—	—	—
	9PA86-CE	Replacement Actuator					

N = Newtons

* These listings have 0,91m (3 ft.) cable. To order 1,83m (6 ft.) cable, change the -3 to -6. For other cable lengths, contact the 800 number.

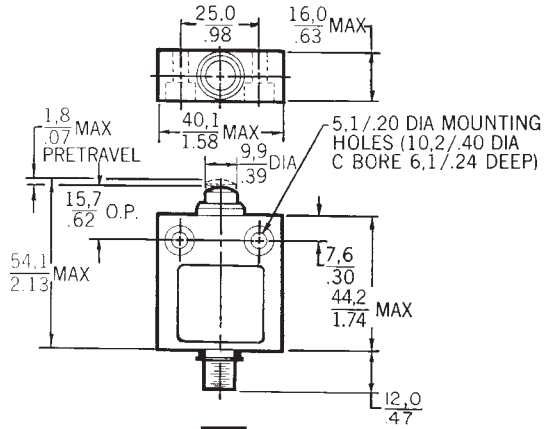
** Snap release not recommended on these devices.

*** Switch operates on clockwise and counterclockwise rotation of the lever shaft.

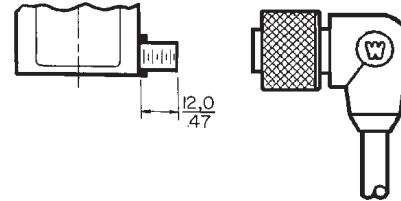
Characteristics: O.F. – Operate Force; P.T. – Pretravel; O.T. – Overtravel; D.T. – Differential Travel

For DC style connectors, delete the "1" at the end of the catalog listing. Example: 914CE1-Q1 (AC); 914CE1-Q (DC).

MOUNTING DIMENSIONS PLAIN PLUNGER/RECEPTACLE



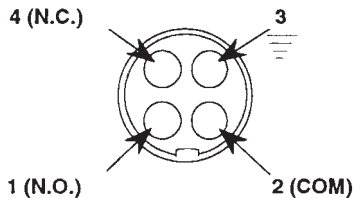
Bottom Exit Connector



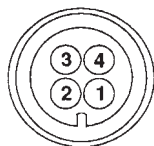
Side Exit Connector

Straight	2 M	804000A09M020
	5 M	804000A09M050
Right angle (90°)	2 M	804001A09M020
	5 M	804001A09M050

DC Style Pin Configuration (male receptacle)



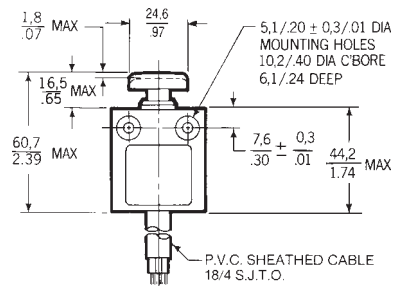
DC Style Pin Configuration (cable plug) (Face view of female connector)



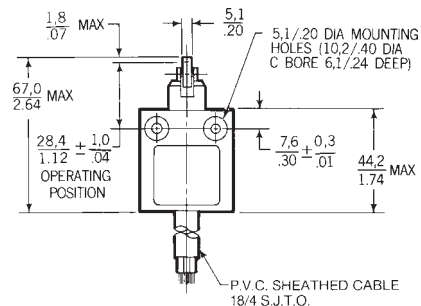
- Pin #1 = Brown leadwire/Normally opened
- Pin #2 = White leadwire/Common
- Pin #3 = Blue leadwire/Ground
- Pin #4 = Black leadwire/Normally closed

Pin Layout

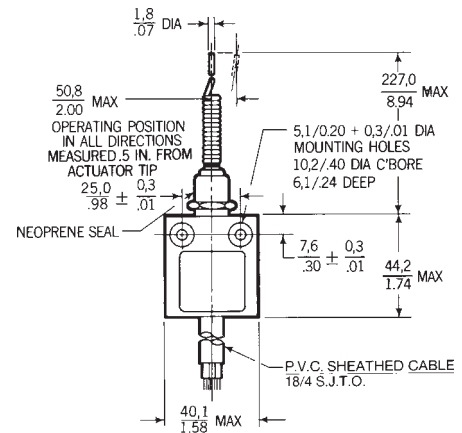
MANUAL OPERATOR

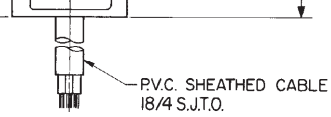


CROSS ROLLER PLUNGER

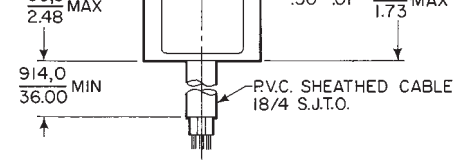


MULTIDIRECTIONAL WIRE

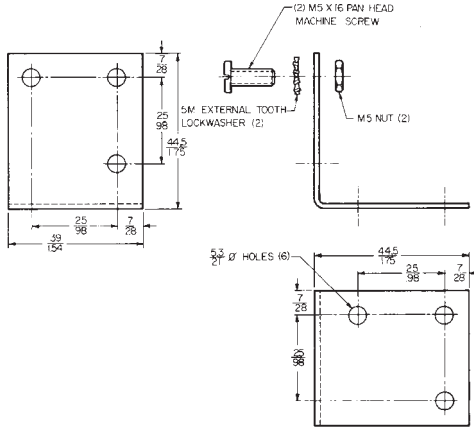




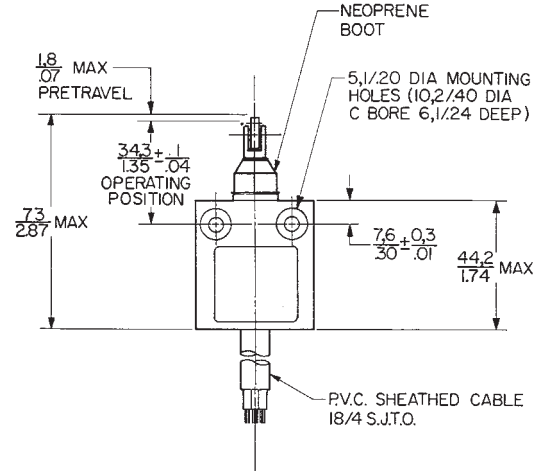
MOUNTS THRU .517/13,13 DIA. HOLE IN PANEL .165/4,19 MAX. THICK



MOUNTING BRACKET 933PA1



BOOT SEALED CROSS ROLLER PLUNGER



Key: $\frac{0,0}{0.00} = \text{mm}$
 $\frac{0.00}{0.00} = \text{inches}$

X-ON Electronics

Largest Supplier of Electrical and Electronic Components

Click to view similar products for [Switch Fixings](#) category:

Click to view products by [Honeywell](#) manufacturer:

Other Similar products are found below :

[893102000](#) [00-5150](#) [LZZ1A](#) [0098.9234](#) [M2PA-5011](#) [630155](#) [635401](#) [6PA113](#) [6PA147-E6](#) [6PA148-E6](#) [6PA32](#) [6PA9](#) [700106](#) [700109](#)
[700303A56](#) [700C1GRY](#) [700C2GRN](#) [704-6001](#) [704.960.9](#) [704.965.2](#) [704.965.6](#) [704.966.0](#) [7089-3](#) [710082-B11](#) [71M1048](#) [757200264](#)
[764300000](#) [MHU35](#) [MHU37](#) [807039-1](#) [825.003.011](#) [825.005.011](#) [825.053.011](#) [825.055.011](#) [826.000.071](#) [827.020.011](#) [827.400.021](#)
[835.900.023](#) [MML52C10C](#) [MML52E10C](#) [MML92HGH](#) [MML93K](#) [84211M02CNNS](#) [84212M02CNNS](#) [842.500.011](#) [843.000.011](#) [843187-000](#) [843487-000](#) [84-901](#) [84-902](#)