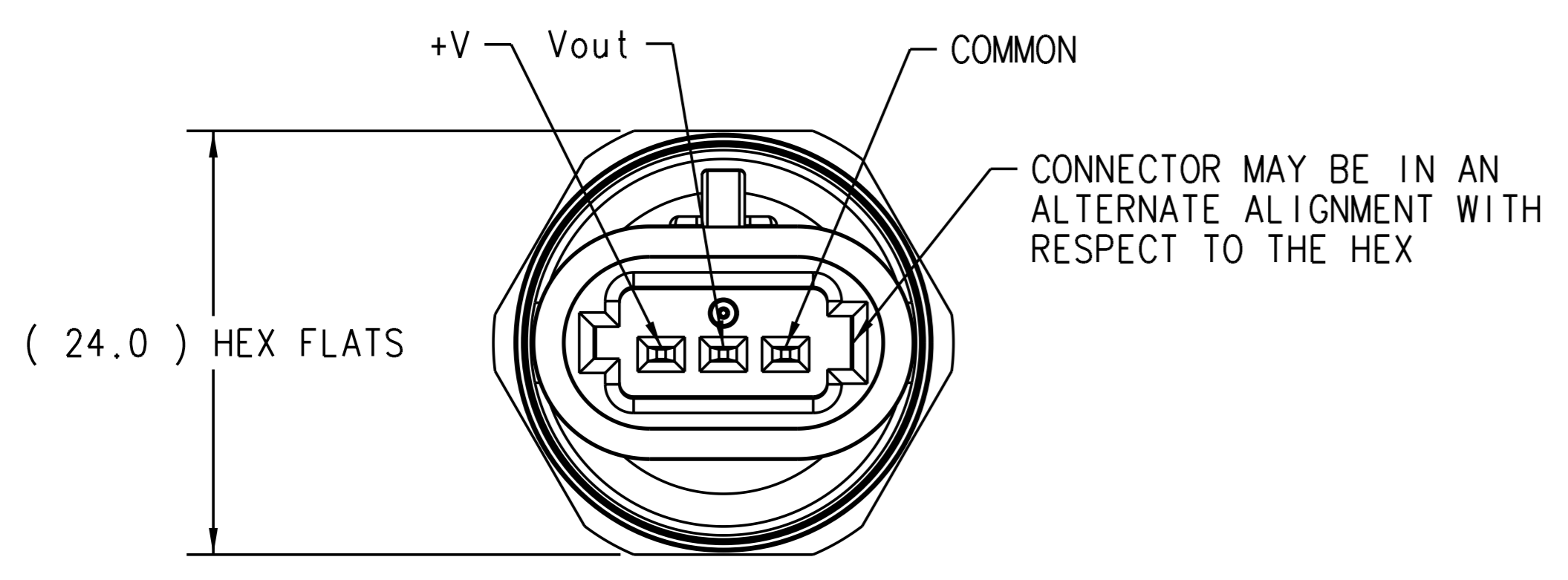
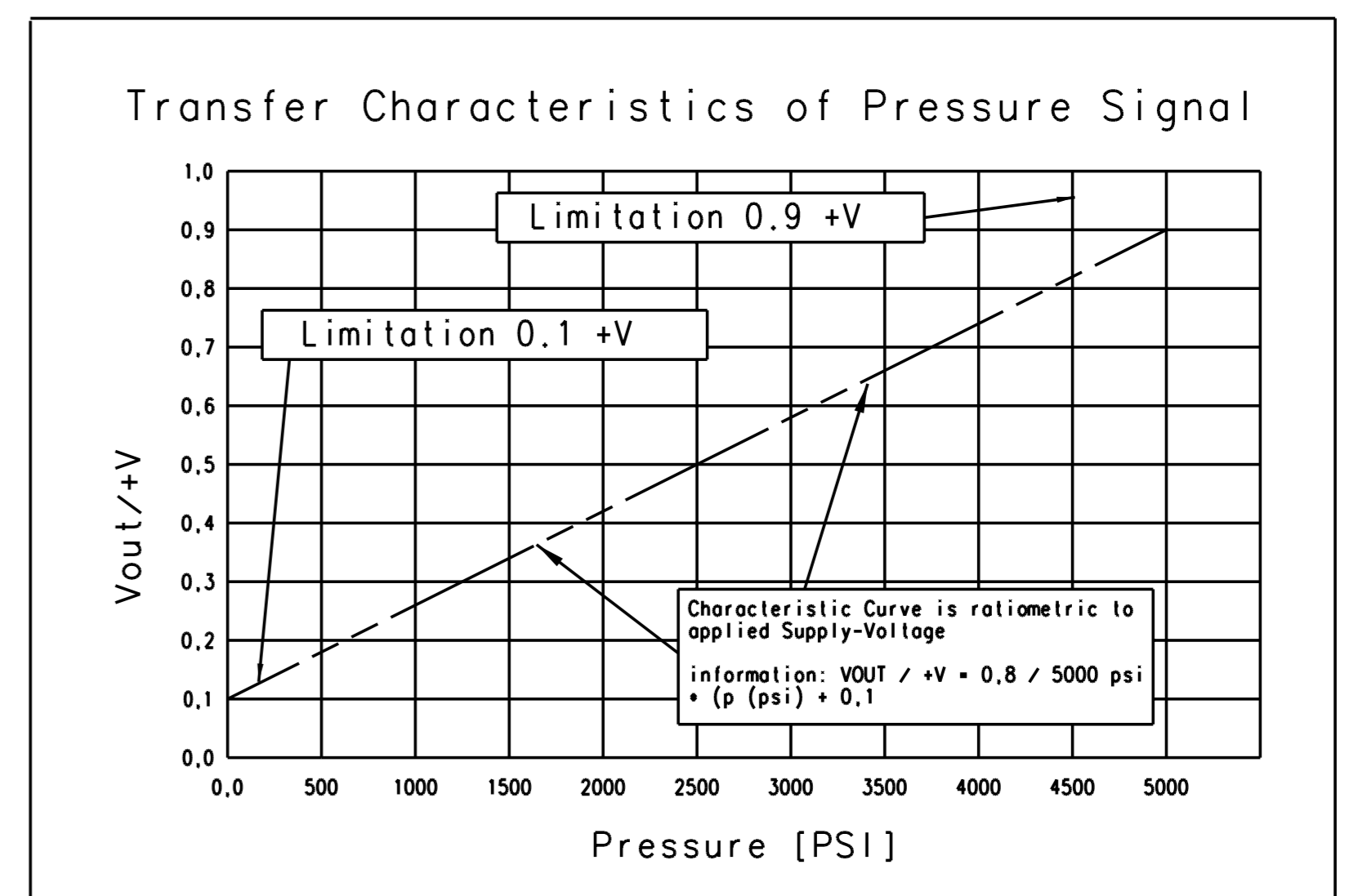


11 10 9 8 7 6 5 4 3 2 1

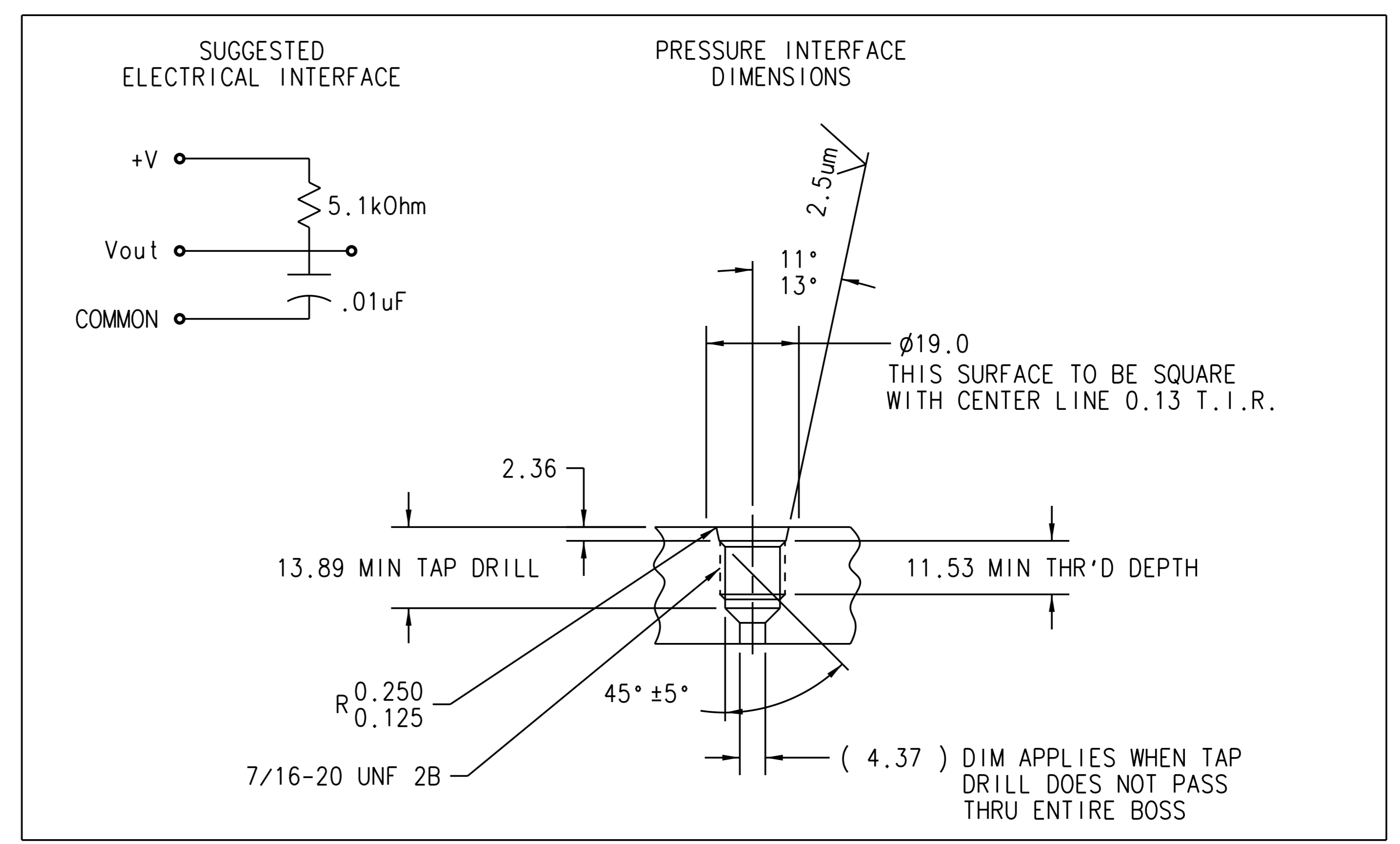
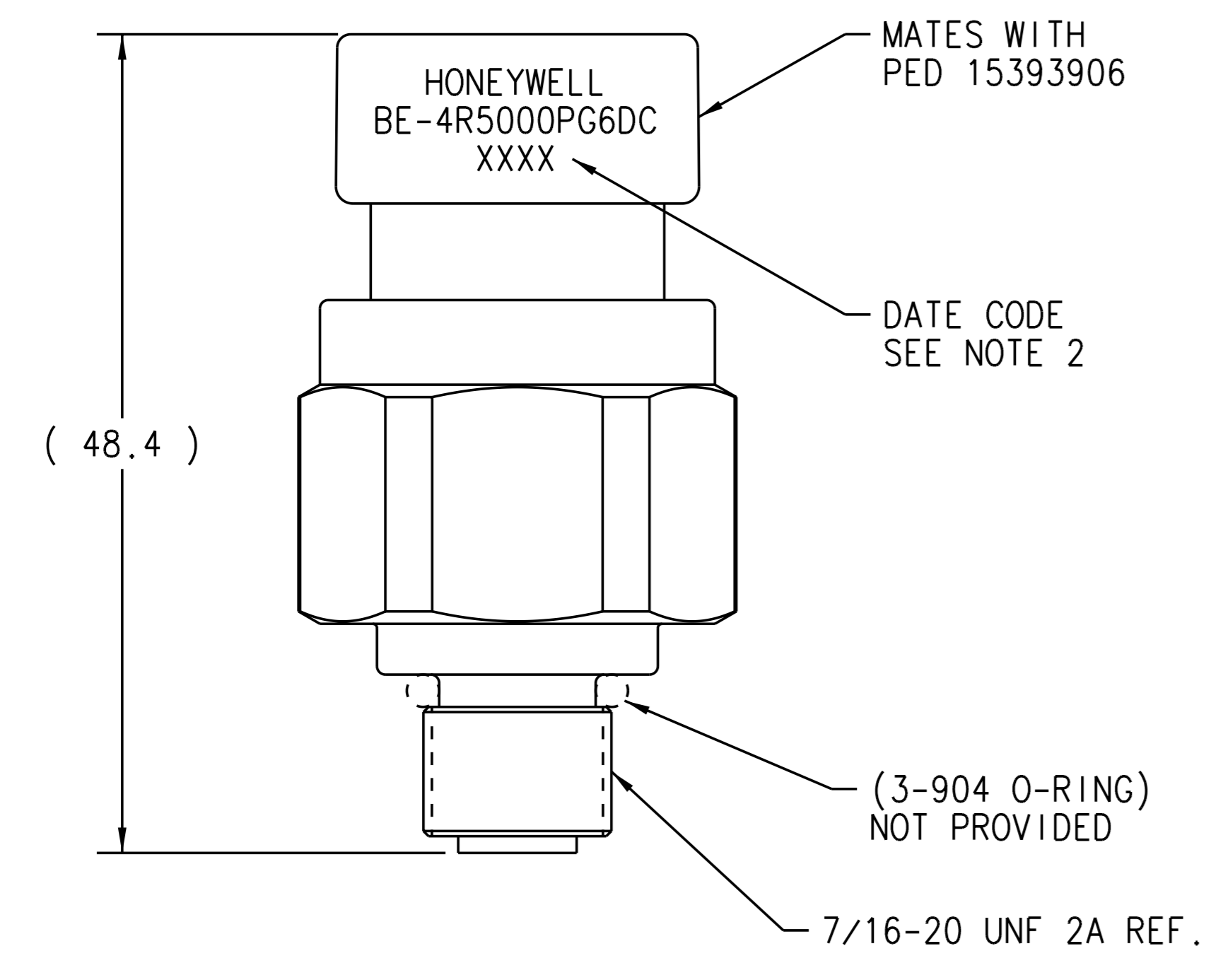
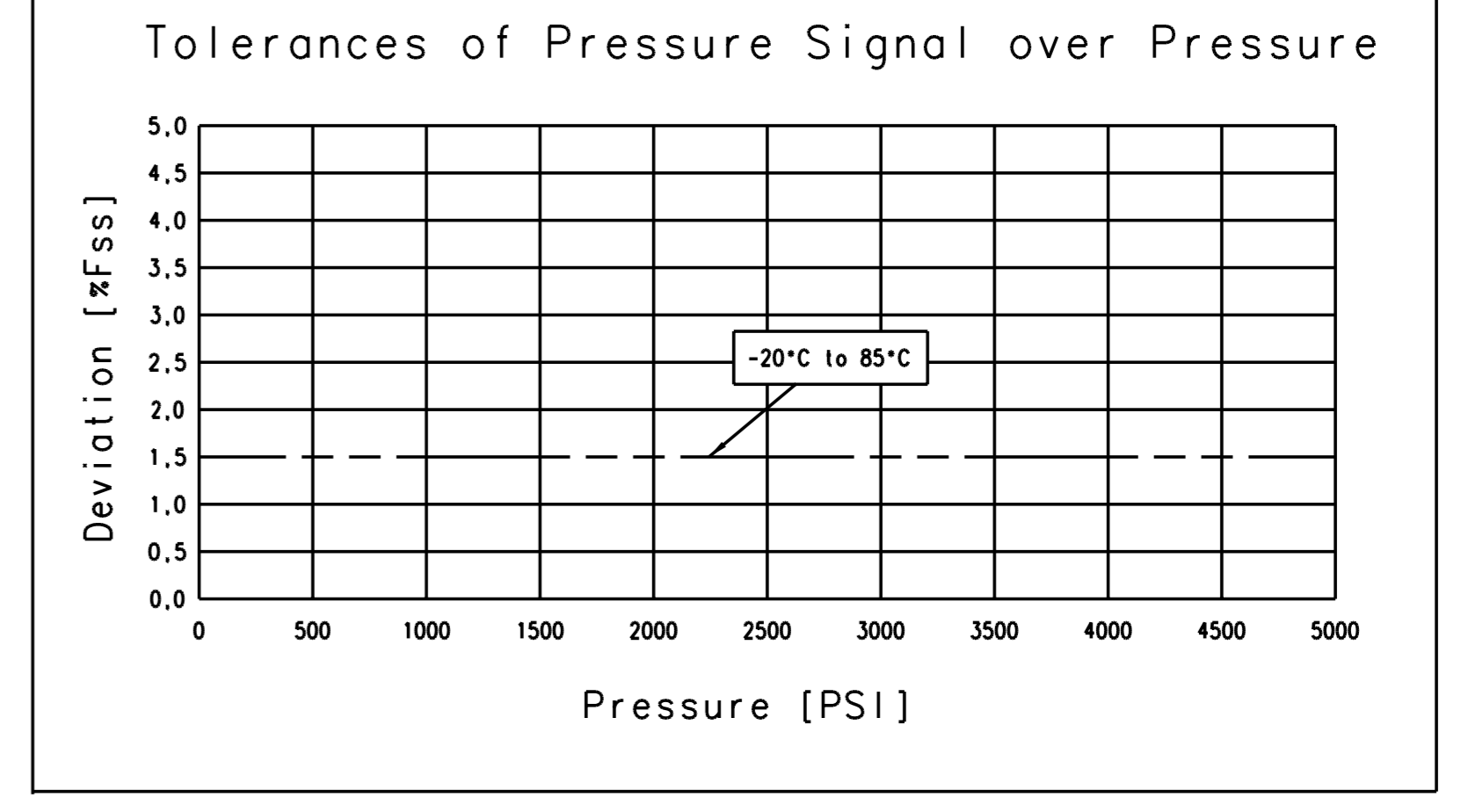


Part	Material
Contact pin	CDA 210 (brass)
Surface Treatment	Tin
Connector body - black	PBT 30% GF
Sensor housing	1215 Steel
Housing plating	Zinc
O-ring	EPDM
Pressure Port	17-4 Stainless Steel



Specifications:

Maximum Tightening Torque	20 Nm
Recommended Tightening Torque	15 Nm
Current Consumption	10 mA
Supply Voltage	4.75 to 5.25 VDC
Output Current	2 kOhm min Load
Burst Pressure	15,000 PSI
Proof Pressure	10,000 PSI
This Sensor is Reverse Polarity/Overvoltage Protected to 14V	
Temperature Range	-20°C to 85°C



- NOTES:
- DATE CODE CONTAINS 4 DIGITS (XXXX) THE FIRST DIGIT SIGNIFIES THE YEAR THE LAST THREE DIGITS SIGNIFY THE DATE OF THE YEAR
 - VALIDATED TO TEST SPEC. 88842055

THIS DRAWING AND SPECIFICATIONS ARE THE PROPERTY OF HONEYWELL SENSING AND CONTROL AND SHALL NOT BE REPRODUCED, COPIED, OR USED AS THE BASIS FOR MANUFACTURE OR SALE OF APPARATUS OR DEVICES WITHOUT WRITTEN PERMISSION OF HONEYWELL SENSING AND CONTROL.		DRAWING TO BE INTERPRETED USING ASME Y14.5M-1994 CHANGES TO BE DONE ON CAD SYSTEM ONLY		<input type="checkbox"/> INCH <input checked="" type="checkbox"/> MM	DRAWN EER 04/04/02	 1100 Airport Road Shelby, NC 28150-3699
MAKE FROM		MATERIAL		TOLERANCE 1 PLACE ± 2 PLACE ± 3 PLACE ± ANGULAR ± DWG. SIZE C	CHECKED T. PHAM 04/04/02 ENG. APP. T. PHAM 05/24/02 E.R.N. 44108 05/24/02 SCALE 2:1	
01	ADDED CHARTS AND DATA	JAS	03/05/03	FINISH		
CH.	CHANGE DESCRIPTION	TP	02295			
		CHG'D BY	DATE			
		APP'D BY	ECN#			

11 10 9 8 7 6 5 4 3 2 1

X-ON Electronics

Largest Supplier of Electrical and Electronic Components

Click to view similar products for [Industrial Pressure Sensors](#) category:

Click to view products by [Honeywell](#) manufacturer:

Other Similar products are found below :

[76053-00000400-01](#) [M83723/72R2041N L/C](#) [M83723/76R2219N](#) [D38999/20ME6BN](#) [75380-05](#) [76053-00000300-01](#) [76053-00000300-05](#)
[76061-00000015-01](#) [76062-B00000350-01](#) [76063-00000350-05](#) [76083-05000500-01](#) [76311-05](#) [76577-00000070-01](#) [76584-M00000100-24](#)
[77050-04000400-01](#) [77343-24.0H2-01](#) [77343-25.0H2-01](#) [78291-B00000060-01](#) [78303-B00000400-01](#) [78303-B00000400-05](#) [78316-](#)
[B00000030-01](#) [78665-00000014-05](#) [78678-00000040-01](#) [78928-00000040-01](#) [79279-00000060-01](#) [79296-B00000350-01](#) [79322-00250035-01](#)
[79614-30.0H2-14](#) [79670-00000090-15](#) [79700-00002750-01](#) [79917-B00000280-01](#) [80569-00700100-01](#) [81509081](#) [MLH010BST01A](#)
[MLH010BST14A](#) [MLH025BGC13B](#) [MLH025BSCDJ1292](#) [MLH025BSCDJ1303](#) [MLH750PSCDJ1245](#) [83250-02500600-05](#) [83271-](#)
[00000040-04](#) [83278-B00000200-21](#) [83282-00000100-05](#) [83286-00000150-01](#) [83298-00000120-01](#) [83299-00000150-05](#) [83303-00000600-01](#)
[83305-00001350-01](#) [83330-00000100-01](#) [83350-04.0HG-05](#)