

Interactive Catalog Supplements Catalog PDFs

If you need detailed product information, or help choosing the right product for your application, see our [Interactive Catalog](#). Use the [Interactive Catalog](#) to access the most complete and up-to-date information available.

The [Interactive Catalog](#) provides an extensive collection of product specifications, application data, and technical literature that can be searched based on criteria you select.

This PDF catalog information was published in November 2000.



Sensing and Control
[Interactive Catalog...](#)

**Click this icon to try
the Interactive Catalog.**

Sensing and Control

Honeywell Inc.

11 West Spring Street

Freeport, IL 61032

Plastic Enclosed Switches



BF Series Plastic Enclosed Basic Switches are available with a wide variety of operators, and are designed for easy mounting and wiring.

BF switches mount utilizing two (2) #6 screws installed through the two diametrically opposite mounting holes in the switch housing (2.312 in x 1.375 in spacing). The BF switches are designed to allow mounting with the cover either towards or away from the mounting surface. It may be more convenient to select the appropriate operator orientation to allow mounting with the cover away from the mounting surface, permitting wiring after mounting.

Switches with lever type actuators (actuator code L in the second position after the dash) are adjustable in two directions. The entire actuator can be rotated around its mounting bushing, and the angle of the lever can also be changed.

FEATURES

- Wide variety of actuators — roller levers, wobble levers, and pin plungers
- Four conduit openings:
 - 1/2-14 NPT
 - 1/2-14 NPSM
 - PF1/2
 - PG13.5
- Large internal cavity for easy wiring
- Pressure plate style wire clamps
- Rugged plastic enclosure eliminates need for grounding
- Several basic switches available ranging from 0.1 Amp electronic duty gold contact to 11 Amp 1/3 HP
- Sealed to NEMA 1, 3, 4 and 13 requirements
- Wide temperature range, –25 to +160°F (–31 to +71°C)
- UL recognized

TYPICAL APPLICATIONS

- Overhead cranes and hoists
- Surface transportation equipment
- Special machinery
- Agricultural equipment
- Earth moving equipment

Limit/Enclosed

Plastic Enclosed Switches

ORDER GUIDE

BF _____

ORIENTATION _____
L L.H. Actuator, std. mtg.

CONDUIT OPENING _____
1 1/2 - 14 NPT
2 1/2 - 14 NPSM
3 PF1/2
4 PG13.5

BASIC SWITCH _____
A 5 Amp - V7
B 11 Amp - V7
S 0.1 Amp Gold Clad - V7

ACTUATOR _____
L1 Roller Lever
L2 Rod Lever
L3 One Way Roller Lever
L4 Manual Lever
P1 Straight Plunger, Std.
W1 Coil Spring Wobble
W2 Plastic Wobble, Std.
W3 Plastic Wobble, Tall
W4 Spring Wire, Std.
W5 Spring Wire, Tall

SEALING PACKETS (for use with the 1/2-14 npt conduit opening)

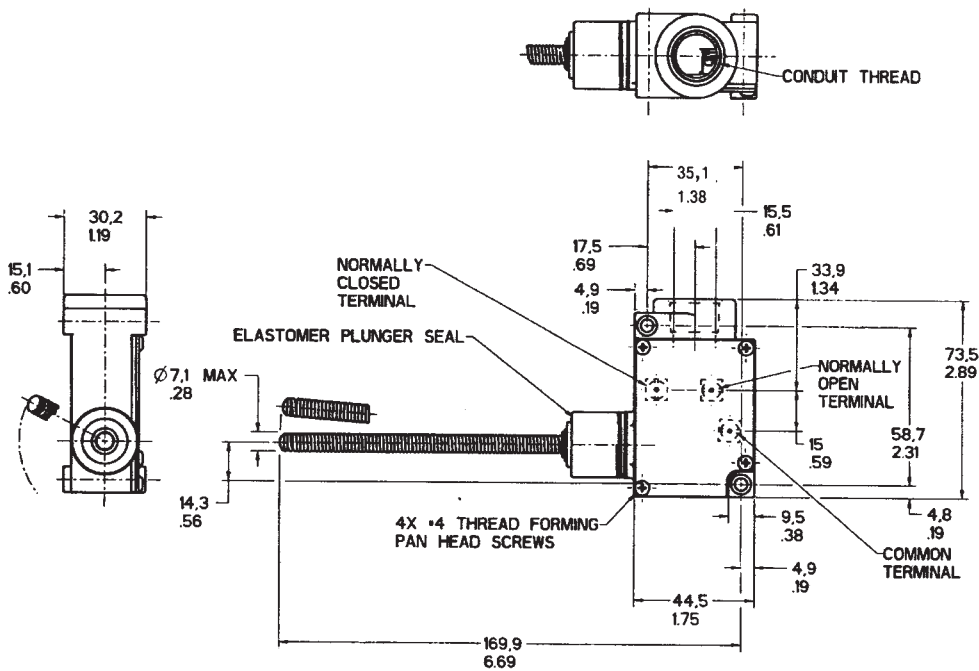
Packet (for use with 1/2-14 NPT)	Cable O.D. In. (mm)
2PA6	.400 - .435 (10,2 - 11,05)
2PA16	.435 - .470 (11,05 - 11,90)
2PA1	.530 - .570 (13,5 - 14,5)

A liquid tight conduit fitting for the 1/2-14 NPT conduit opening is also available.

Packet	Cable O.D. In. (mm)
2PA17	.170 - .470 (4,3 - 11,9)

MOUNTING DIMENSIONS (For reference only)

COIL SPRING WOBBLE LEVER

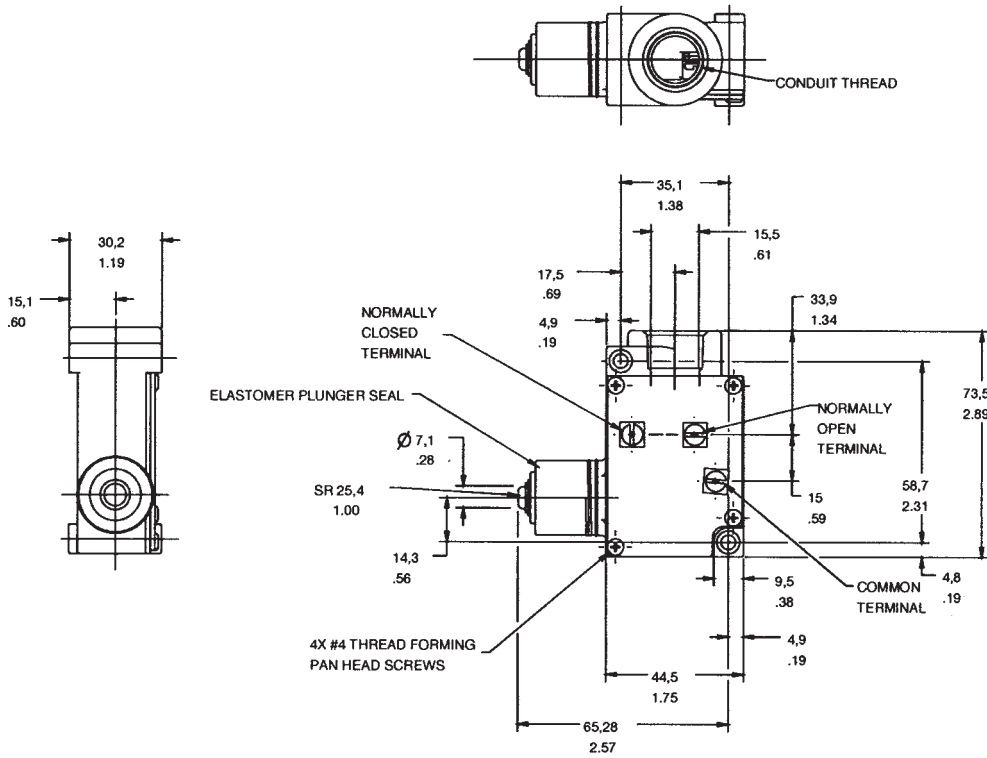


Limit and Enclosed Switches

BF Series

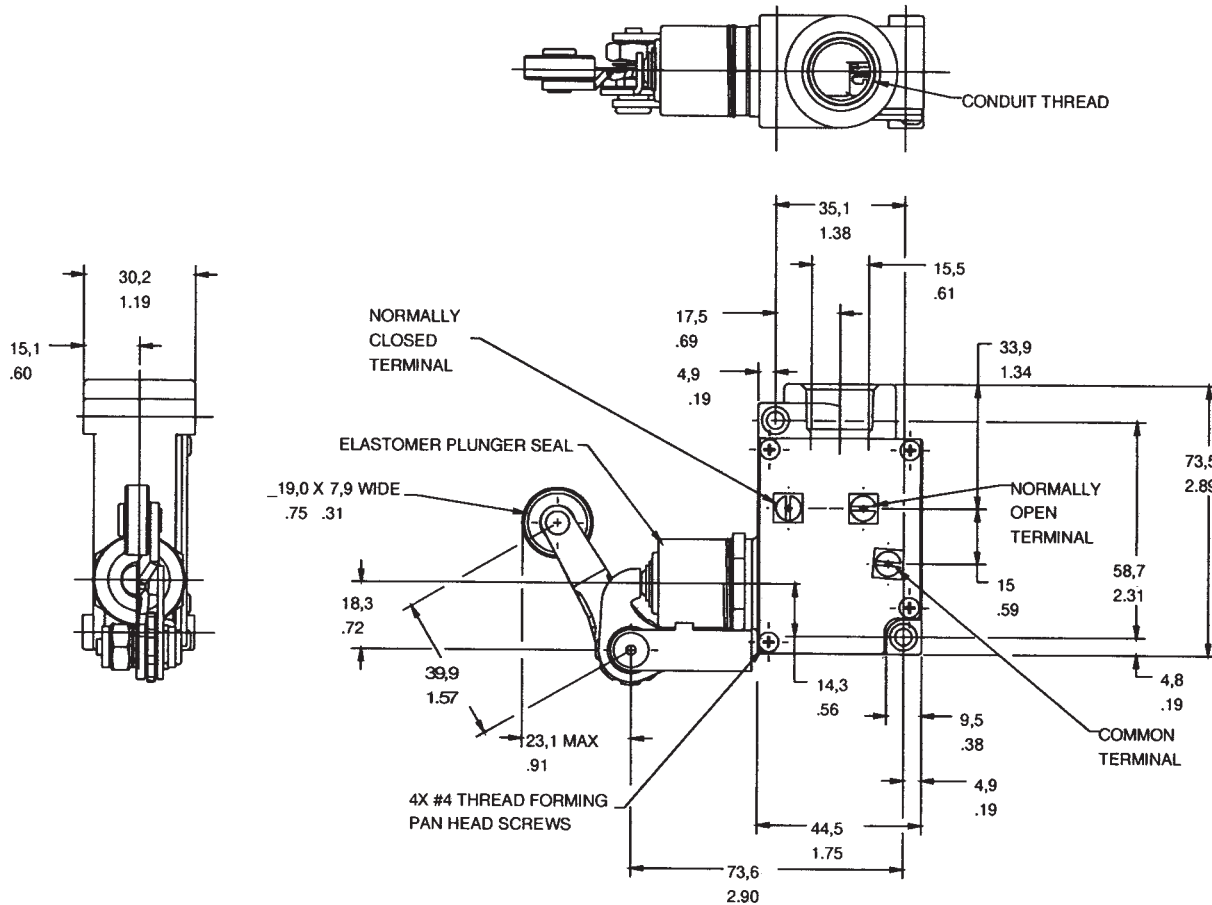
Plastic Enclosed Switches

PIN PLUNGER



Limit/Enclosed

ROLLER LEVER



X-ON Electronics

Largest Supplier of Electrical and Electronic Components

Click to view similar products for [Limit Switches](#) category:

Click to view products by [Honeywell](#) manufacturer:

Other Similar products are found below :

[LZG1](#) [LZL1-6C](#) [622EN114-R](#) [622EN18-6](#) [622EN224-6B](#) [622EN230](#) [622EN237-R](#) [622EN69-3](#) [622EN85-RB](#) [MA-10019](#) [6PA109](#) [7LS51](#)
[83547001](#) [83725002](#) [83840001](#) [83840701](#) [83881130](#) [8AS42](#) [8LS125-4PG](#) [8LS152-4PGN20](#) [914CE3-3L1](#) [915PA10](#) [91MCE16-P2O](#)
[924CE1-T25A](#) [924CE1-T3](#) [924CE1-T9A](#) [924CE31-Y20-X5](#) [924CE31-Y3L1](#) [GL-10054](#) [GL-85714](#) [GLDB03C-6](#) [GLZ324](#) [PS21R-NT11N7-](#)
[YK0](#) [H3141CAKAA](#) [D4GS-N1T-3](#) [RDI-G-L5B](#) [14CE16-3N28](#) [E3102BAAAA](#) [BFL1-AW1-S](#) [1LS-J50](#) [1LS-J51](#) [201SN1A1](#) [21EN275-R2](#)
[21EN314-6](#) [21EN90-R1](#) [221CH54-RB](#) [221EN5-R](#) [8PA2](#) [914CE16-6AN14](#) [914CE2-9L1](#)