

**MICROSWITCH**  
a Honeywell Division

**SWITCH - ENCLOSED**

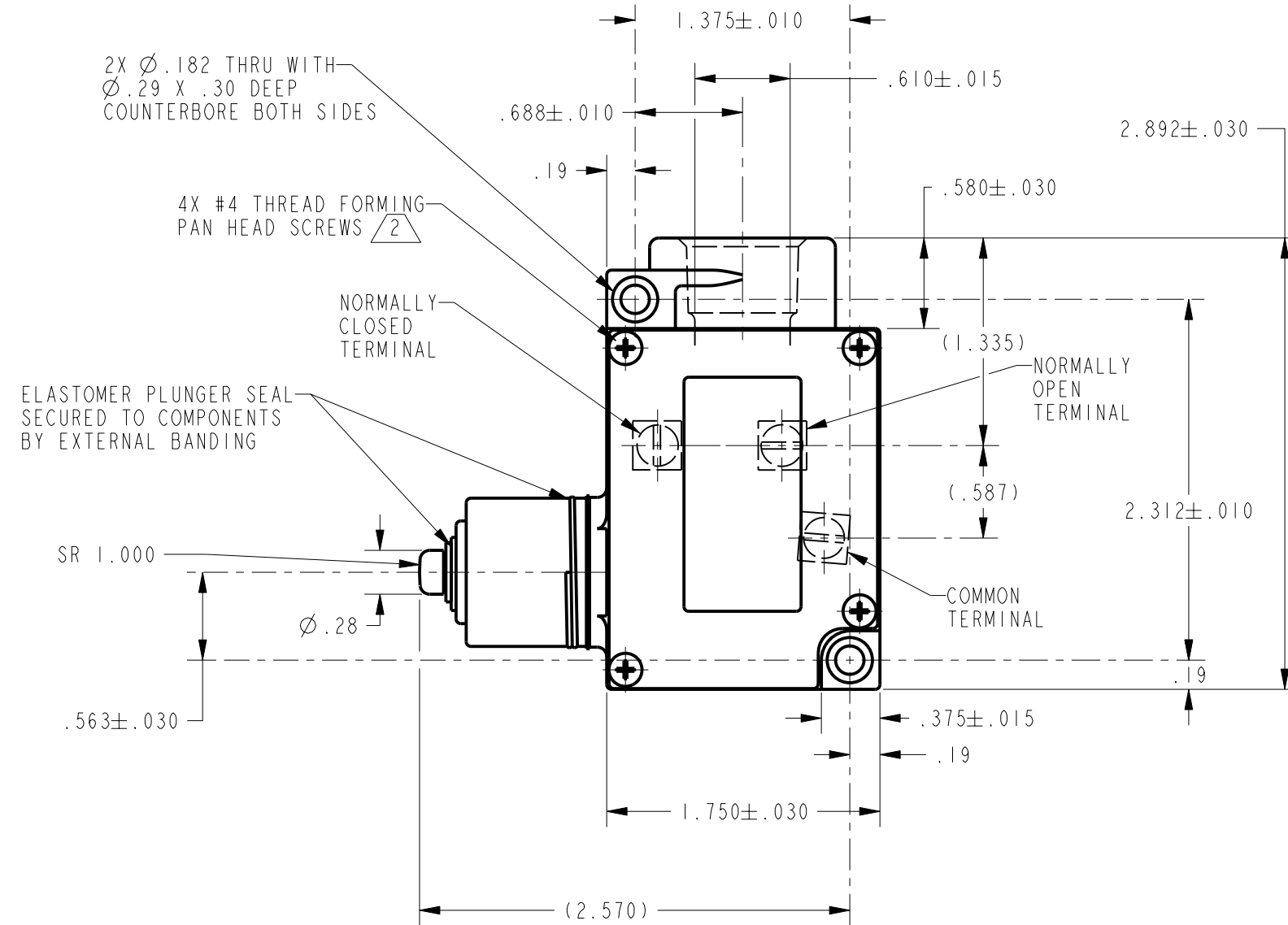
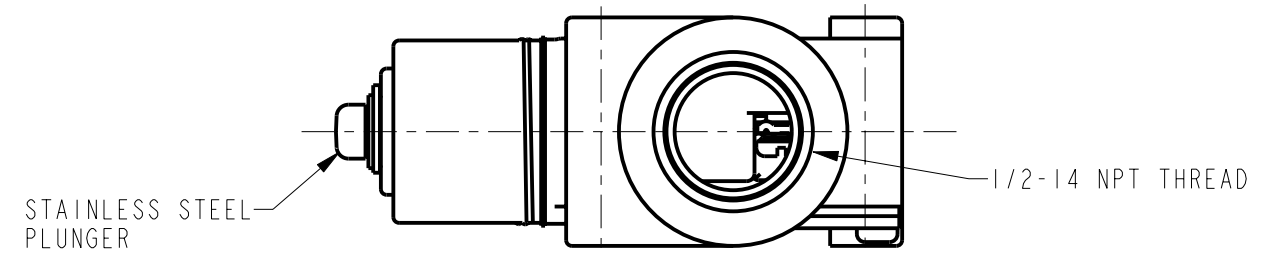
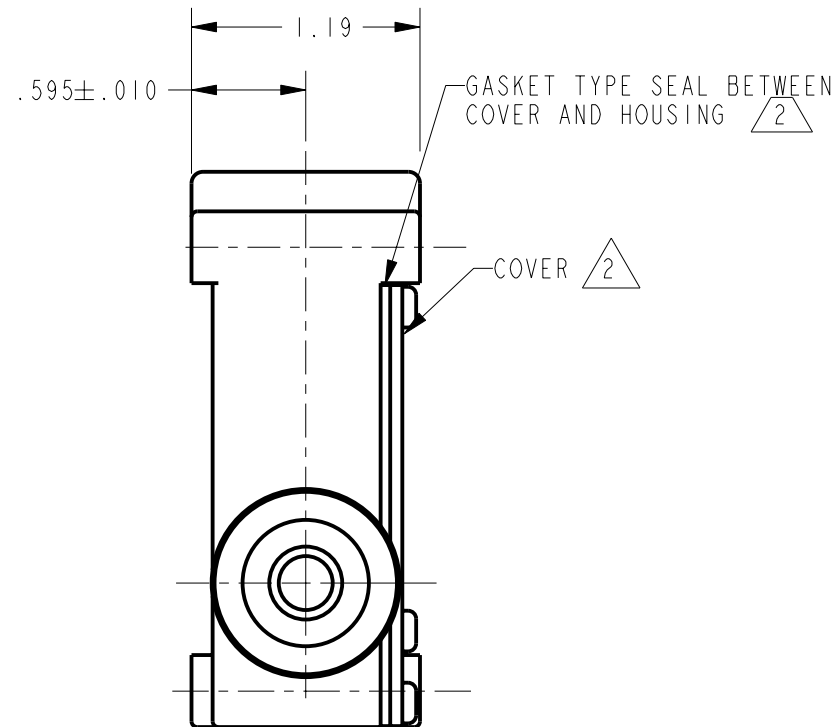
CATALOG LISTING

**BFL1-BP1**

FED. MFG. CODE 91929

NOTES

- 1 - 3X 6-32 UNC PRESSURE PLATE TERMINAL SCREWS FURNISHED UNASSEMBLED
- 2 - SWITCH WILL OPERATE AND RELEASE WITHIN THIS TRAVEL
- 3 -



BFL1-BP1  
 CATALOG LISTING  
 PAGE 1 OF 1  
 REPLACES  
 RELEASE NO. 203802  
 CHECK  
 6 SEP 01  
 CHECK  
 6 SEP 01  
 SAV  
 6 SEP 01  
 CHECK  
 6 SEP 01  
 DRAWN  
 KED  
 PTC/CAD 3D

THIS DRAWING COVERS A PROPRIETARY ITEM AND IS THE PROPERTY OF MICRO SWITCH, A DIVISION OF HONEYWELL. THIS DRAWING IS NOT TO BE COPIED OR USED WITHOUT THE APPROVAL OF MICRO SWITCH

| CHARACTERISTICS                     | ELECTRICAL DATA                |
|-------------------------------------|--------------------------------|
| OPERATING FORCE: ..... 44 OZ MAX    | CONTACT ARRANGEMENT<br>S P D T |
| TOTAL TRAVEL: ..... 3 120 MIN       | L156                           |
| DIFFERENTIAL TRAVEL: ..... .025 NOM | 1/1A 1/3HP 125, 250, 277 VAC   |
|                                     | 1/2A 125 VDC, 1/4A 250 VDC     |
|                                     | 4A 125 VAC "L"                 |

| THIRD ANGLE PROJECTION                    |              |
|---|--------------|
| SCALE                                     | FULL         |
| DO NOT SCALE PRINT                        |              |
| UNLESS OTHERWISE SPECIFIED TOLERANCES ARE |              |
| ONE PLACE                                 | (.0) ±.030   |
| TWO PLACE                                 | (.00) ±.015  |
| THREE PLACE                               | (.000) ±.005 |
| ANGLES                                    | ±            |
| WEIGHT                                    |              |

ANSI Y14.5M-1982 APPLIES

## X-ON Electronics

Largest Supplier of Electrical and Electronic Components

*Click to view similar products for [Limit Switches](#) category:*

*Click to view products by [Honeywell](#) manufacturer:*

Other Similar products are found below :

[5ML1-E1](#) [5ML31](#) [LZG1](#) [LZL1-6C](#) [622EN114-R](#) [622EN18-6](#) [622EN224-6B](#) [622EN230](#) [622EN237-R](#) [622EN69-3](#) [622EN85-RB](#) [MA-10019](#)  
[6PA109](#) [7LS51](#) [83547001](#) [83725002](#) [83830001](#) [83840701](#) [83841001](#) [83881140](#) [8AS42](#) [8LS10](#) [8LS125-4PG](#) [8LS152-4PGN20](#) [914CE16-](#)  
[3A](#) [914CE3-3L1](#) [915PA10](#) [91MCE16-P2O](#) [924CE16-Y3](#) [924CE1-S6](#) [924CE1-T25A](#) [924CE1-T3](#) [924CE1-T9A](#) [924CE2-T9](#) [924CE31-Y20-](#)  
[X5](#) [924CE31-Y3L1](#) [GL-10054](#) [GLAB26J2B](#) [GLDB03C-6](#) [GLDC05C](#) [GLZ324](#) [PS21R-NT11N7-YK0](#) [H3141CAKAA](#) [RDI-G-L5B](#) [DD-](#)  
[10000](#) [DT-2R3-A7](#) [14CE16-3N28](#) [14CE18-N15](#) [151ML3-E1](#) [E3102BAAAA](#)