

MICRO SWITCH
a Honeywell Division

FED. MFG. CODE 91929

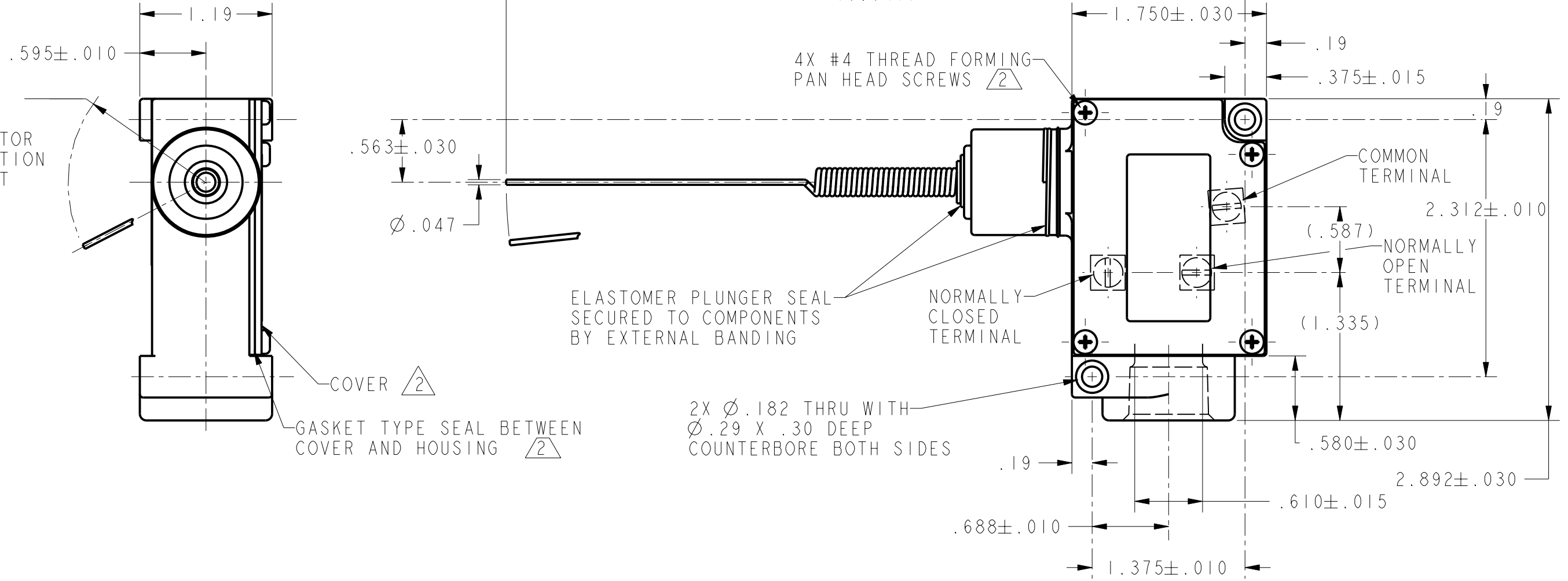
SWITCH-ENCLOSED

CATALOG LISTING

BFR1-BW4

BFR1-BW4
 CATALOG LISTING
 PAGE 1 OF 1
 RELEASE NO. 203802
 REPLACES
 ISSUE 1
 CHECK
 REVISIONS
 CHECK
 7 SEP 01
 SAV
 CHECK
 7 SEP 01
 KED
 DRAWN
 PTC/CAD

SWITCH WILL OPERATE BY MOVING ACTUATOR IN ANY DIRECTION EXCEPT DIRECT PULL

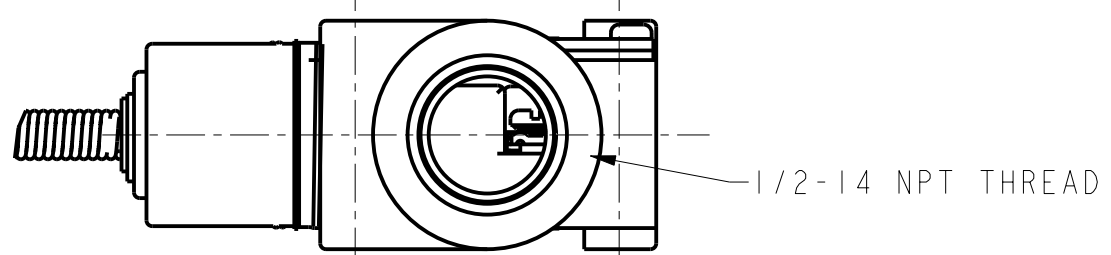


COVER $\triangle 2$
GASKET TYPE SEAL BETWEEN COVER AND HOUSING $\triangle 2$

ELASTOMER PLUNGER SEAL SECURED TO COMPONENTS BY EXTERNAL BANDING
NORMALLY CLOSED TERMINAL

4X #4 THREAD FORMING PAN HEAD SCREWS $\triangle 2$
2X $\phi .182$ THRU WITH $\phi .29$ X $.30$ DEEP COUNTERBORE BOTH SIDES

COMMON TERMINAL
NORMALLY OPEN TERMINAL



NOTES
 $\triangle 1$ - 3X 6-32 UNC PRESSURE PLATE TERMINAL SCREWS FURNISHED UNASSEMBLED
 $\triangle 2$

THIS DRAWING COVERS A PROPRIETARY ITEM AND IS THE PROPERTY OF MICRO SWITCH, A DIVISION OF HONEYWELL. THIS DRAWING IS NOT TO BE COPIED OR USED WITHOUT THE APPROVAL OF MICRO SWITCH

CHARACTERISTICS	ELECTRICAL DATA
OPERATING FORCE: 7 OZ MAX	CONTACT ARRANGEMENT S P D T
	L156 11A 1/3HP 125, <u>250</u> , 277 VAC 1/2A 125 VDC, 1/4A 250 VDC 4A 125 VAC "L"

THIRD ANGLE PROJECTION	
SCALE	FULL
DO NOT SCALE PRINT	
UNLESS OTHERWISE SPECIFIED TOLERANCES ARE	
ONE PLACE	(.0) $\pm .030$
TWO PLACE	(.00) $\pm .015$
THREE PLACE	(.000) $\pm .005$
ANGLES	\pm
WEIGHT	

ANSI Y14.5M-1982 APPLIES

X-ON Electronics

Largest Supplier of Electrical and Electronic Components

Click to view similar products for [Limit Switches](#) category:

Click to view products by [Honeywell](#) manufacturer:

Other Similar products are found below :

[5ML1-E1](#) [5ML31](#) [LZG1](#) [LZL1-6C](#) [622EN114-R](#) [622EN18-6](#) [622EN224-6B](#) [622EN230](#) [622EN237-R](#) [622EN69-3](#) [622EN85-RB](#) [MA-10019](#)
[6PA109](#) [7LS51](#) [83547001](#) [83725002](#) [83830001](#) [83840701](#) [83841001](#) [83881140](#) [8AS42](#) [8LS10](#) [8LS125-4PG](#) [8LS152-4PGN20](#) [914CE16-](#)
[3A](#) [914CE3-3L1](#) [915PA10](#) [91MCE16-P2O](#) [924CE16-Y3](#) [924CE1-S6](#) [924CE1-T25A](#) [924CE1-T3](#) [924CE1-T9A](#) [924CE2-T9](#) [924CE31-Y20-](#)
[X5](#) [924CE31-Y3L1](#) [GL-10054](#) [GLAB26J2B](#) [GLDB03C-6](#) [GLDC05C](#) [GLZ324](#) [PS21R-NT11N7-YK0](#) [H3141CAKAA](#) [RDI-G-L5B](#) [DD-](#)
[10000](#) [DT-2R3-A7](#) [14CE16-3N28](#) [14CE18-N15](#) [151ML3-E1](#) [E3102BAAAA](#)