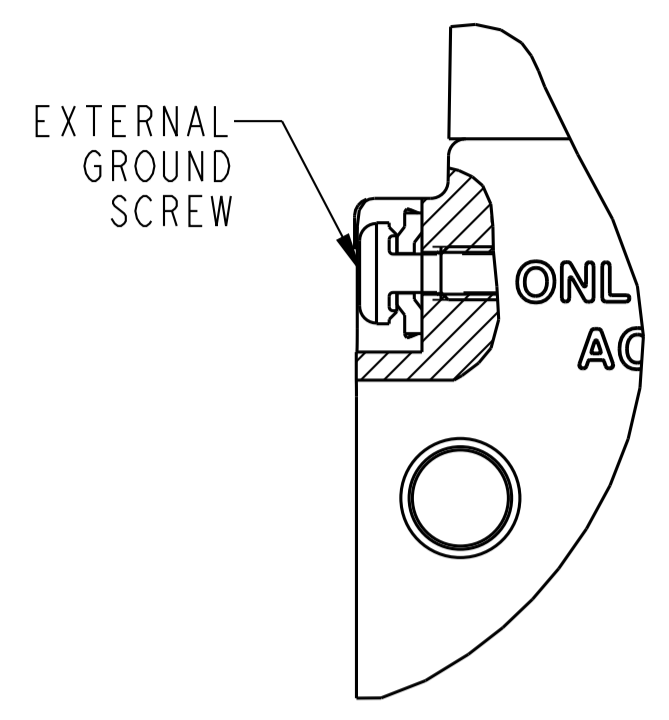
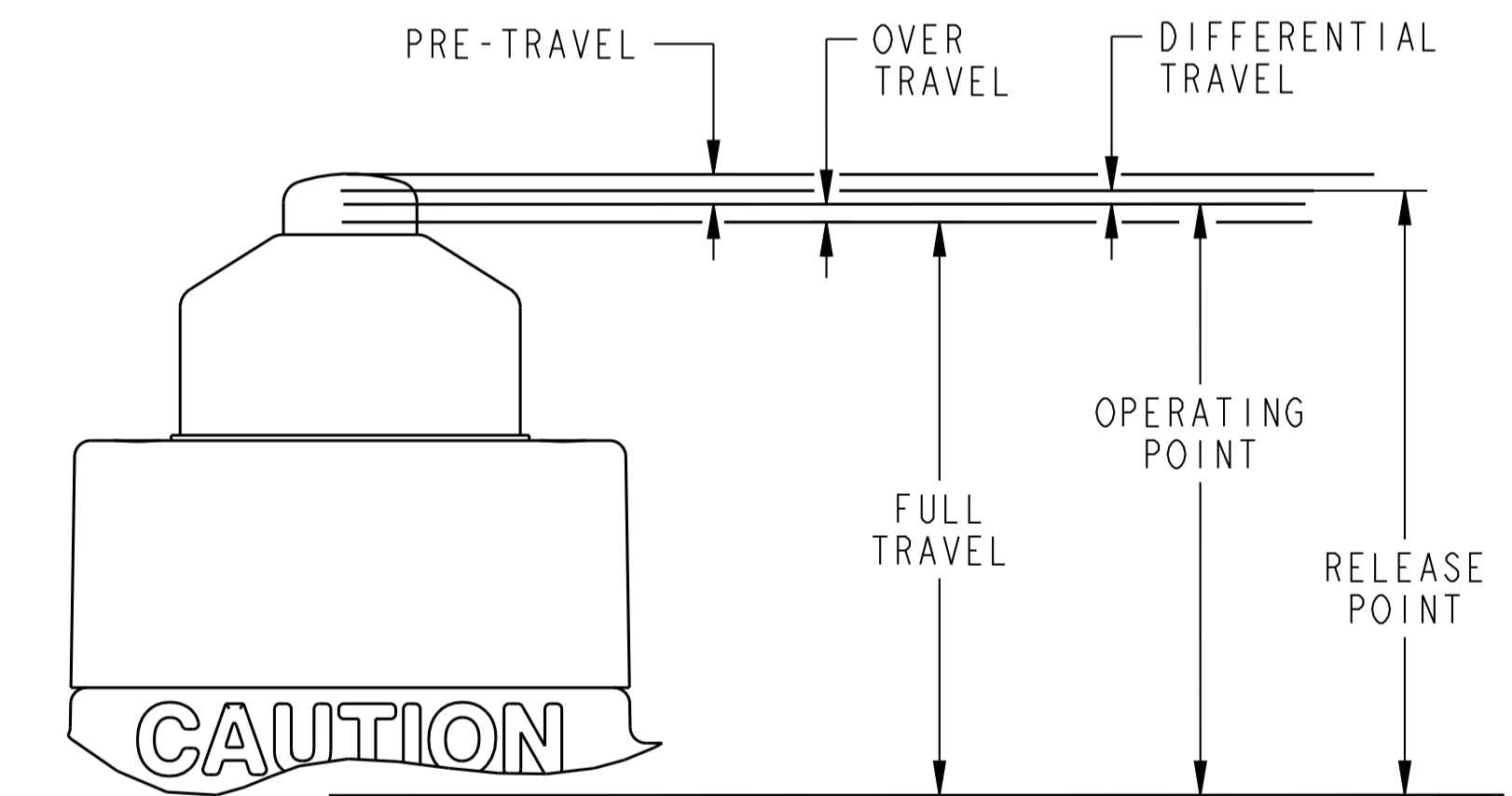
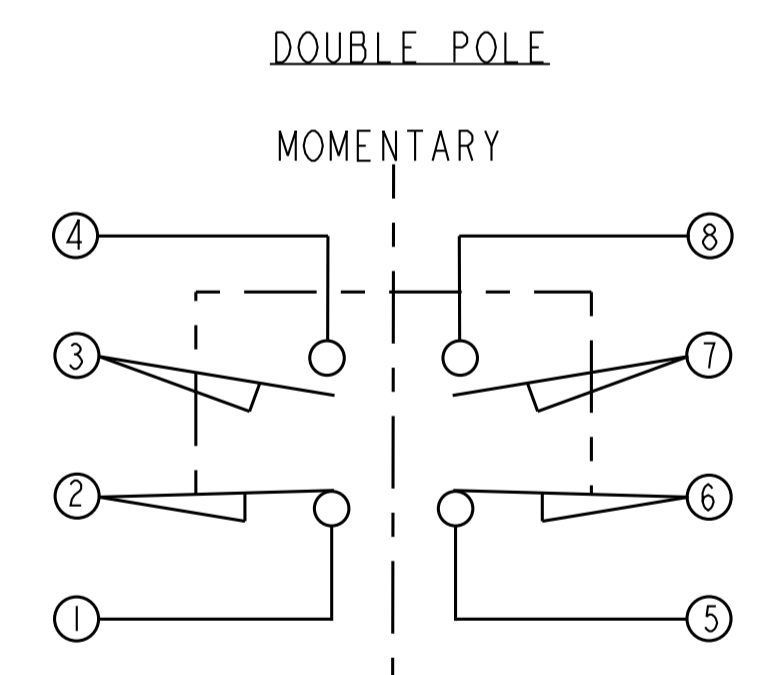
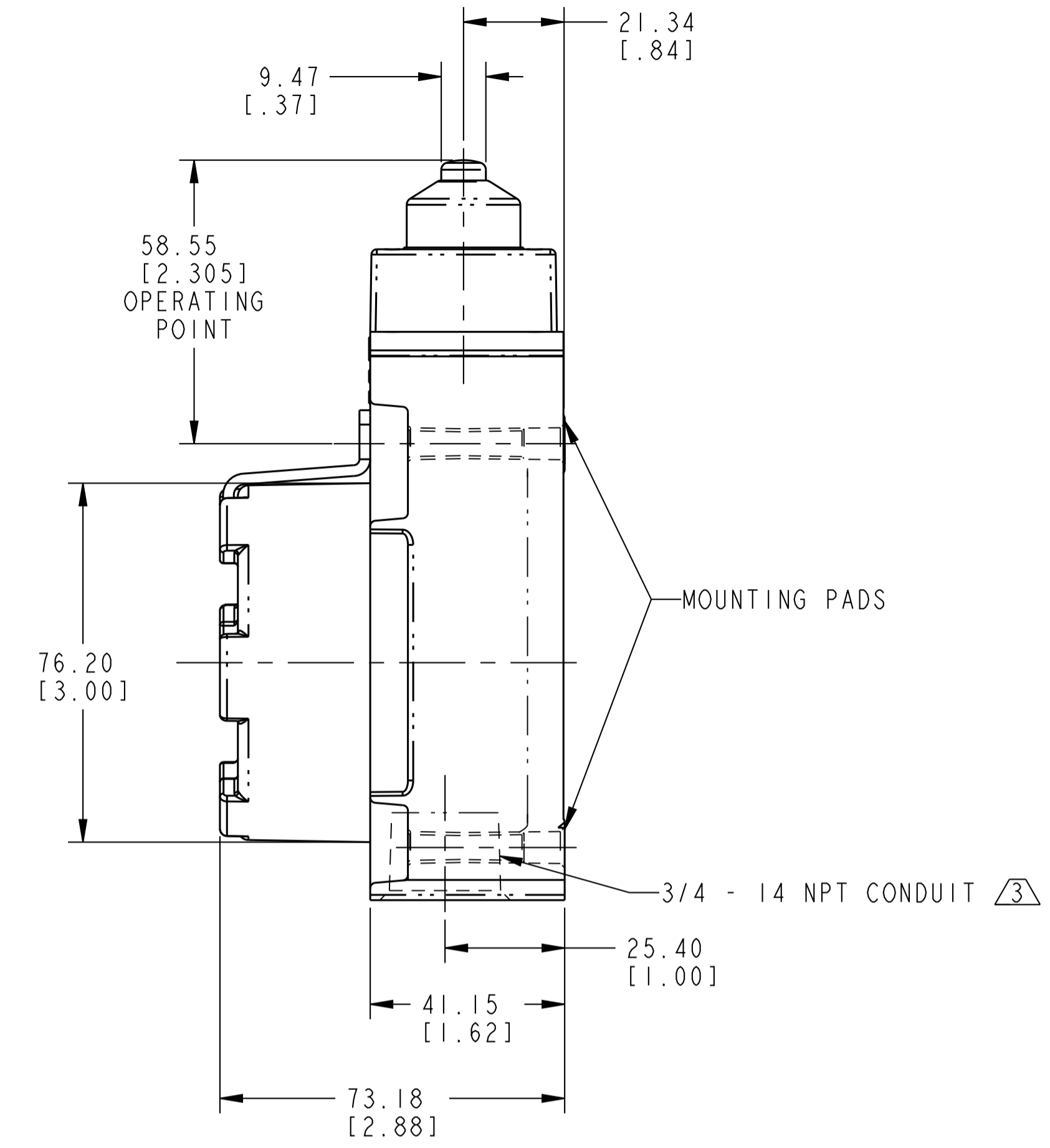
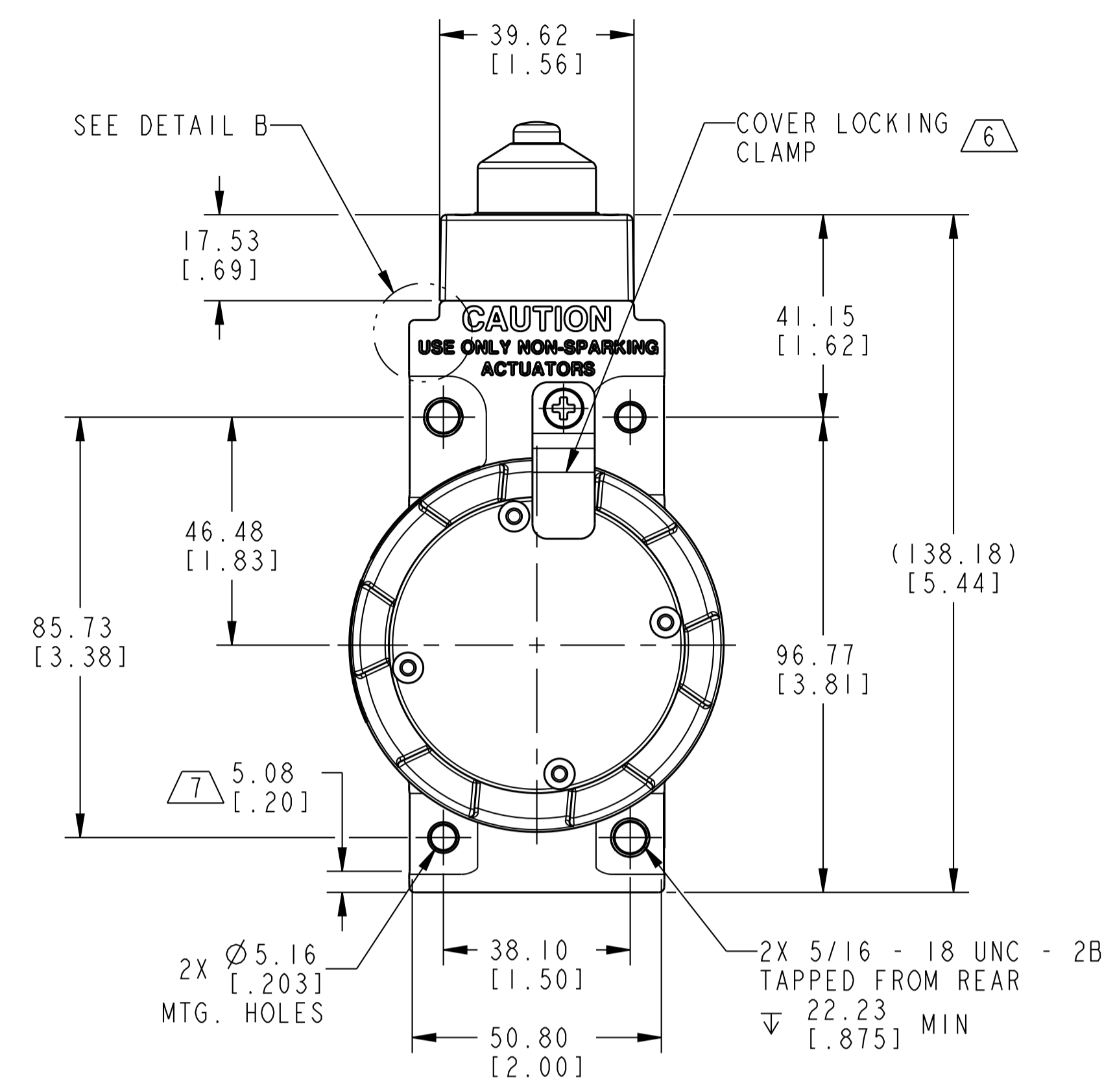


PART NUMBER
BXQC4L354

REVISION HISTORY					
REV	DOCUMENT	DESCRIPTION	CHG'D BY	DATE	APPROVED
B	0113921	REDRAWN WITH CHANGE	RKA	2014-09-11	M. MANTUA
C	0120854	REVISED PER ECO	RGA	2015-05-21	M. MANTUA



DETAIL B



- NOTES:
- 1 - CONSTRUCTED IN ACCORDANCE WITH EN-50014 / EN - 50018 GROUP II C
 - 2 - VOLUME 27 CU.IN(442 CU.CM) APPROX. TOP AND SIDE PLUNGER
 - 3 - EXPLOSION PROOF - UNDER WRITERS LAB INC. LISTED FOR HAZARDOUS LOCATIONS CLASS I, GROUPS B,C AND D; CLASS II GROUPS E,F, AND G.
 - 4 - SIRA CERTIFIED PRODUCT. NO MODIFICATIONS PERMITTED WITHOUT REFERENCE TO SIRA.
 - 5 - CONFORMS TO EExd IIC TG
SIRA 00ATEX1037X
CAT 112 GD.
 - 6 - FURNISHED UNASSEMBLED IN A SEPARATE PLASTIC BAG.
 - 7 - ENCLOSURE WIDTH 50.80±0.13/2.000±.005 FOR A LENGTH OF 5.08/.20 MIN
 - 8 - APPROVED FOR RUSSIAN CUSTOM UNION CERTIFICATION PER
НАИИО <<ЦСВЭ>> РОСС RU.0001.11ГБ05
- a. CONFORMS TO
IEx d IIC T6 Gb X
Ex tb IIIC T85°C Db
- b. APPLICABLE HEALTH AND SAFETY STANDARDS
ГОСТ Р МЭК 60079-0-2011
ГОСТ IEC 60079-1-2011
ГОСТ Р МЭК 60079-31 2010

ELECTRICAL RATINGS
10 AMP CONT.

A.C VOLTAGE	AMPS		POWER FACTOR
	MAKE	BREAK	
120	30	3	.35
240	15	1.5	.35
480	7.5	.75	.35
600	6	.6	.35

D.C VOLTAGE	MAKE & BREAK	
	INDUCTIVE	RESISTIVE
120	0.25	0.80
240	0.15	0.40

OPERATING POINT GIVEN
IN RELATION TO TOP MOUNTING HOLES

CHARACTERISTICS	BXC PLUNGER
PRETRAVEL (MAX)	1.79 / .070
DIFFERENTIAL TRAVEL (MAX)	0.51 / .020
OVERTRAVEL (MIN)	4.83 / .190
OPERATING FORCE (MAX)	17.86 N / 4 LBS
OPERATING POINT	58.55 ± .76 / 2.305 ± .030
FULL OVERTRAVEL FORCE (MAX)	31.25 N / 7 LBS

UNLESS OTHERWISE SPECIFIED THRD ANGLE PROJECTION

DECIMAL TOL NO PLACE ...
1 PLACE ... ±0.30
2 PLACE ... ±0.15
3 PLACE ... ±0.05
ANGULAR TOL - CHAMFER -

MATERIAL

FINISH

APPLICABLE DOCUMENTS: ASME Y14.100-2004
ASME Y14.5-2009

COMPUTER GENERATED DRAWING: PRO/ENGINEER

Honeywell

SWITCH, EXPLOSION PROOF

SIZE: **A1** CAGE CODE: **91929** DWG NO: **BXQC4L354** TYPE: **I** REV: **C**

SCALE: 1:1 REF WT: SHEET 1 of 1

RELEASE DATE: 2010-05-03
DRW: KRB
RDE: -
DA: -
CHK: KRB 2010-05-03

HONEYWELL CONFIDENTIAL
THIS DOCUMENT CONTAINS PROPRIETARY INFORMATION AND SUCH INFORMATION MAY NOT BE DISCLOSED TO OTHERS FOR ANY PURPOSE, NOR USED FOR MANUFACTURING PURPOSES WITHOUT WRITTEN PERMISSION FROM HONEYWELL

X-ON Electronics

Largest Supplier of Electrical and Electronic Components

Click to view similar products for [Limit Switches](#) category:

Click to view products by [Honeywell](#) manufacturer:

Other Similar products are found below :

[5ML1-E1](#) [5ML31](#) [LZG1](#) [LZL1-6C](#) [622EN114-R](#) [622EN18-6](#) [622EN224-6B](#) [622EN230](#) [622EN237-R](#) [622EN69-3](#) [622EN85-RB](#) [MA-10019](#)
[6PA109](#) [7LS51](#) [83547001](#) [83725002](#) [83830001](#) [83840701](#) [83841001](#) [83881140](#) [8AS42](#) [8LS10](#) [8LS125-4PG](#) [8LS152-4PGN20](#) [914CE16-](#)
[3A](#) [914CE3-3L1](#) [915PA10](#) [91MCE16-P2O](#) [924CE16-Y3](#) [924CE1-S6](#) [924CE1-T25A](#) [924CE1-T3](#) [924CE1-T9A](#) [924CE2-T9](#) [924CE31-Y20-](#)
[X5](#) [924CE31-Y3L1](#) [GL-10054](#) [GLAB26J2B](#) [GLDB03C-6](#) [GLDC05C](#) [GLZ324](#) [PS21R-NT11N7-YK0](#) [H3141CAKAA](#) [RDI-G-L5B](#) [DD-](#)
[10000](#) [DT-2R3-A7](#) [14CE16-3N28](#) [14CE18-N15](#) [151ML3-E1](#) [E3102BAAAA](#)