

## Interactive Catalog Supplements Catalog PDFs

If you need detailed product information, or help choosing the right product for your application, see our [Interactive Catalog](#). Use the [Interactive Catalog](#) to access the most complete and up-to-date information available.

The [Interactive Catalog](#) provides an extensive collection of product specifications, application data, and technical literature that can be searched based on criteria you select.

This PDF catalog information was published in November 2000.



Sensing and Control  
[Interactive  
Catalog...](#)

**Click this icon to try  
the Interactive Catalog.**

---

### Sensing and Control

Honeywell Inc.

11 West Spring Street

Freeport, IL 61032

## ROLLER LEVER ACTUATED SWITCHES



Side mount  
with seal boot

## LOW FORCE ROD ACTUATED SWITCHES



Side mount  
with seal boot

For rapid response – off the shelf service, all **bold face** listings are normally stocked items.

### ORDER GUIDE

Description	Elec. Rating	Mtg.	Catalog Listing		O.F. N oz.	P.T. max. mm in.	O.T. min. mm in.	D.T. max. mm in.
			1 Conduit Opening	2 Conduit Openings				
With seal boot. Field adjustable 360° horizontally and 225° vertically. SPDT.	A	Side	<b>BZG1-2RN2</b>	<b>BZG2-2RN2</b>	2,78- 5,57 10-20	4,78 .188	5,56 .219	0,15 .006
		Flange	BZH1-2RN2					

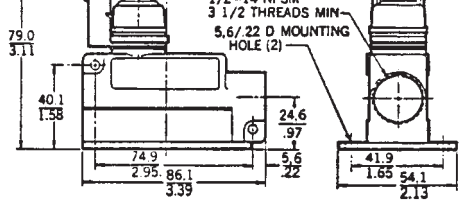
### ORDER GUIDE

Rod can be cut or bent to suit application needs

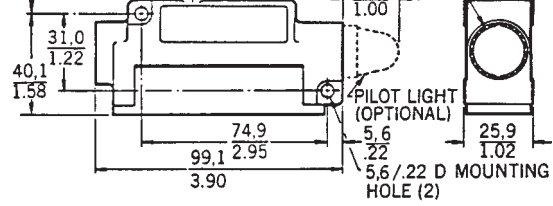
Description	Elec. Rating	Mtg.	Catalog Listing		O.F. N oz.	P.T. max. mm in.	O.T. min. mm in.	D.T. max. mm in.
			1 Conduit Opening	2 Conduit Openings				
With seal boot. Field adjustable 360° horizontally and 250° vertically. SPDT.	A	Side	<b>BZG1-2RN62</b>	<b>BZG2-2RN62</b>	0,83- 1,95 3-7	18,24 .718	21,29 .838	5,82 .229
		Flange	<b>BZH1-2RN62</b>					

N = Newtons

Characteristics: O.F. — Operating Force; P.T. — Pretravel;  
O.T. — Overtravel; D.T. — Differential Travel

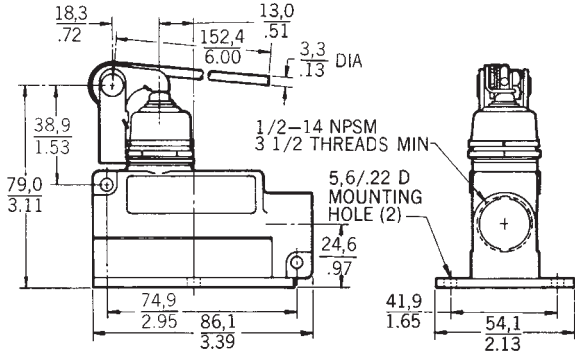


Flange mount

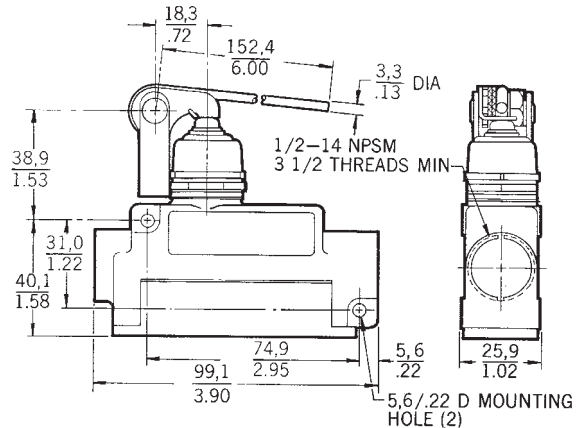


Side mount  
(2 conduit openings)

ROD



Flange mount



Side mount

Key:  $\frac{0.0}{0.00} = \text{mm}$   
 $\frac{0.00}{0.00} = \text{inches}$

## X-ON Electronics

Largest Supplier of Electrical and Electronic Components

*Click to view similar products for [Limit Switches](#) category:*

*Click to view products by [Honeywell](#) manufacturer:*

Other Similar products are found below :

[5ML1-E1](#) [5ML31](#) [LZG1](#) [LZL1-6C](#) [622EN114-R](#) [622EN18-6](#) [622EN224-6B](#) [622EN230](#) [622EN237-R](#) [622EN69-3](#) [622EN85-RB](#) [MA-10019](#)  
[6PA109](#) [7LS51](#) [83547001](#) [83725002](#) [83830001](#) [83840701](#) [83841001](#) [83881140](#) [8AS42](#) [8LS10](#) [8LS125-4PG](#) [8LS152-4PGN20](#) [914CE16-](#)  
[3A](#) [914CE3-3L1](#) [915PA10](#) [91MCE16-P2O](#) [924CE16-Y3](#) [924CE1-S6](#) [924CE1-T25A](#) [924CE1-T3](#) [924CE1-T9A](#) [924CE2-T9](#) [924CE31-Y20-](#)  
[X5](#) [924CE31-Y3L1](#) [GL-10054](#) [GLAB26J2B](#) [GLDB03C-6](#) [GLDC05C](#) [GLZ324](#) [PS21R-NT11N7-YK0](#) [H3141CAKAA](#) [RDI-G-L5B](#) [DD-](#)  
[10000](#) [DT-2R3-A7](#) [14CE16-3N28](#) [14CE18-N15](#) [151ML3-E1](#) [E3102BAAAA](#)