

**H MICRO SWITCH**  
 FREEPORT, ILLINOIS, U.S.A.  
 A DIVISION OF HONEYWELL  
 FED. MFG. CODE 91929

**SWITCH - ENCLOSED**

CATALOG LISTING  
**BZLN-5-LH**

BZLN-5-LH

M

DRAWING NUMBER

8 9

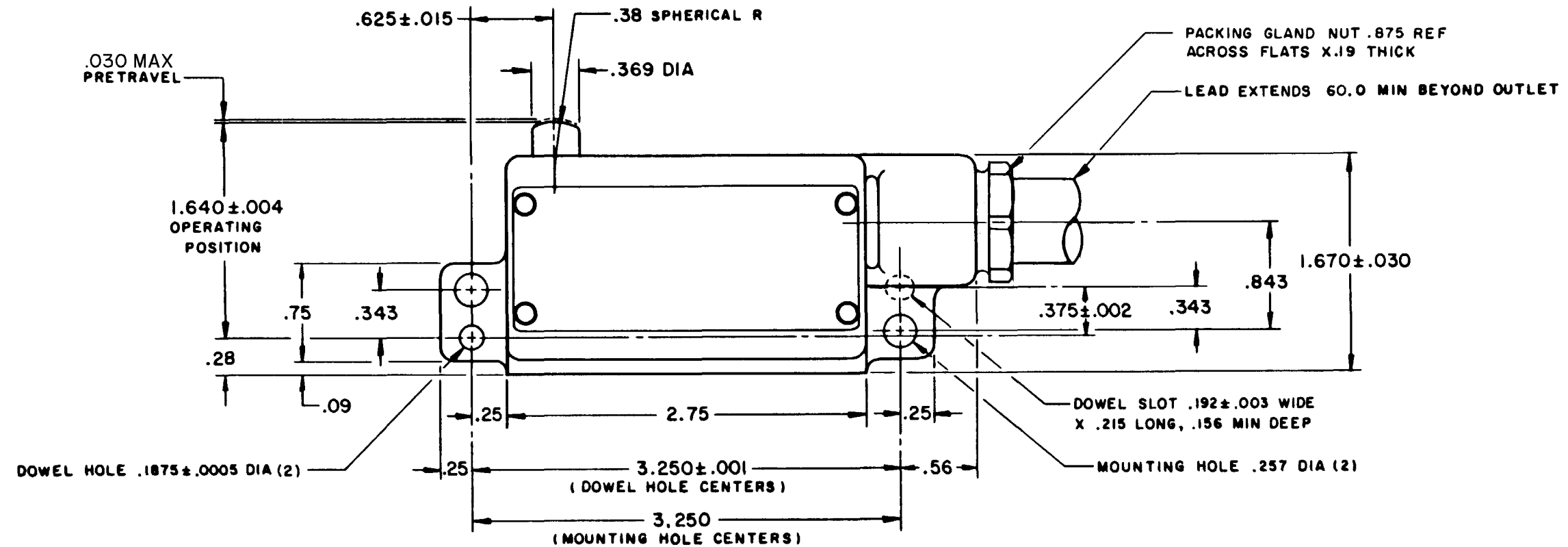
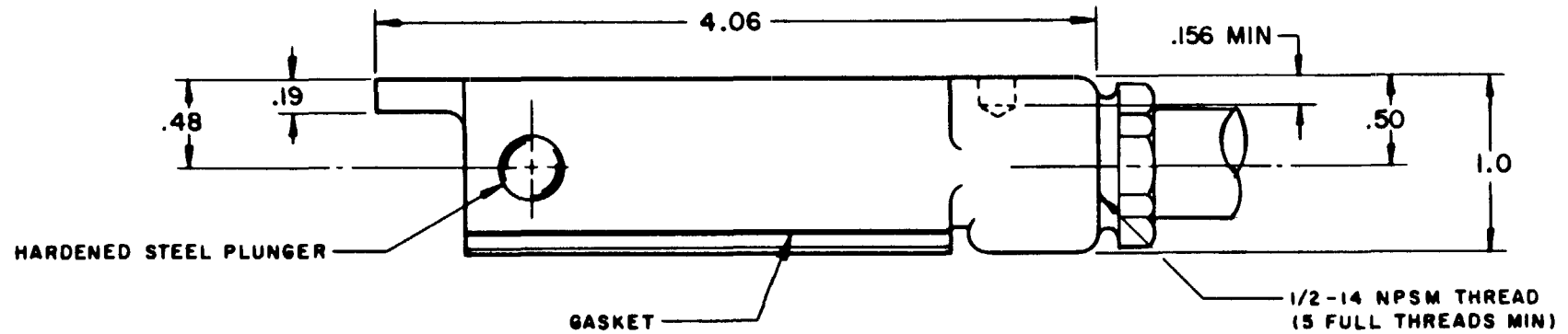
ISSUE X

REVISIONS

A	CO19597	M B F	6 NOV 64
B	CO50714	G J W	28 APR 82
C	CO55988	M A M	31 OCT 84
D	CO66766	M A M	5 APR 90
E	CO-81715	J A K	26 SEP 95

FORMTEK DRAWN M B F 6 NOV 64

REPLACES RELEASE NO. CHECK



THIS DRAWING COVERS A PROPRIETARY ITEM AND IS THE PROPERTY OF MICRO SWITCH, A DIVISION OF MINNEAPOLIS-HONEYWELL REGULATOR CO. THIS DRAWING IS NOT TO BE COPIED OR USED WITHOUT THE APPROVAL OF MICRO SWITCH.

CHARACTERISTICS	ELECTRICAL DATA	SCALE FULL
OPERATING FORCE --- 5 LB MAX	CONTACT ARRANGEMENT S P D T	DO NOT SCALE PRINT
RELEASE FORCE --- 1 LB MIN	L257	UNLESS OTHERWISE NOTED
DIFFERENTIAL TRAVEL --- .004 MAX	10A 125, 250 OR 480 VAC	DIMENSIONS ARE IN INCHES
OVERTRAVEL --- .203 MIN	1/8 HP 125 VAC, 1/4 HP 250 VAC	<b>TOLERANCES ARE:</b>
	1/2A 125 VDC, 1/4A 250 VDC	ONE PLACE (.0) ±.030
		TWO PLACE (.00) ±.015
		THREE PLACE (.000) ±.005
		ANGLES ±
		WEIGHT

WIRING CONNECTIONS—  
 COMMON — BLACK LEAD  
 NORMALLY OPEN — RED LEAD  
 NORMALLY CLOSED — WHITE LEAD  
 DISCONNECTED — GREEN LEAD

## X-ON Electronics

Largest Supplier of Electrical and Electronic Components

*Click to view similar products for [Limit Switches](#) category:*

*Click to view products by [Honeywell](#) manufacturer:*

Other Similar products are found below :

[5ML1-E1](#) [5ML31](#) [LZG1](#) [LZL1-6C](#) [622EN114-R](#) [622EN18-6](#) [622EN224-6B](#) [622EN230](#) [622EN237-R](#) [622EN69-3](#) [622EN85-RB](#) [MA-10019](#)  
[6PA109](#) [7LS51](#) [83547001](#) [83725002](#) [83830001](#) [83840701](#) [83841001](#) [83881140](#) [8AS42](#) [8LS10](#) [8LS125-4PG](#) [8LS152-4PGN20](#) [914CE16-](#)  
[3A](#) [914CE3-3L1](#) [915PA10](#) [91MCE16-P2O](#) [924CE16-Y3](#) [924CE1-S6](#) [924CE1-T25A](#) [924CE1-T3](#) [924CE1-T9A](#) [924CE2-T9](#) [924CE31-Y20-](#)  
[X5](#) [924CE31-Y3L1](#) [GL-10054](#) [GLAB26J2B](#) [GLDB03C-6](#) [GLDC05C](#) [GLZ324](#) [PS21R-NT11N7-YK0](#) [H3141CAKAA](#) [RDI-G-L5B](#) [DD-](#)  
[10000](#) [DT-2R3-A7](#) [14CE16-3N28](#) [14CE18-N15](#) [151ML3-E1](#) [E3102BAAAA](#)