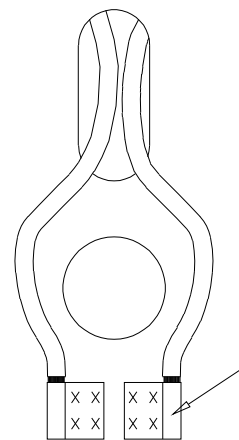
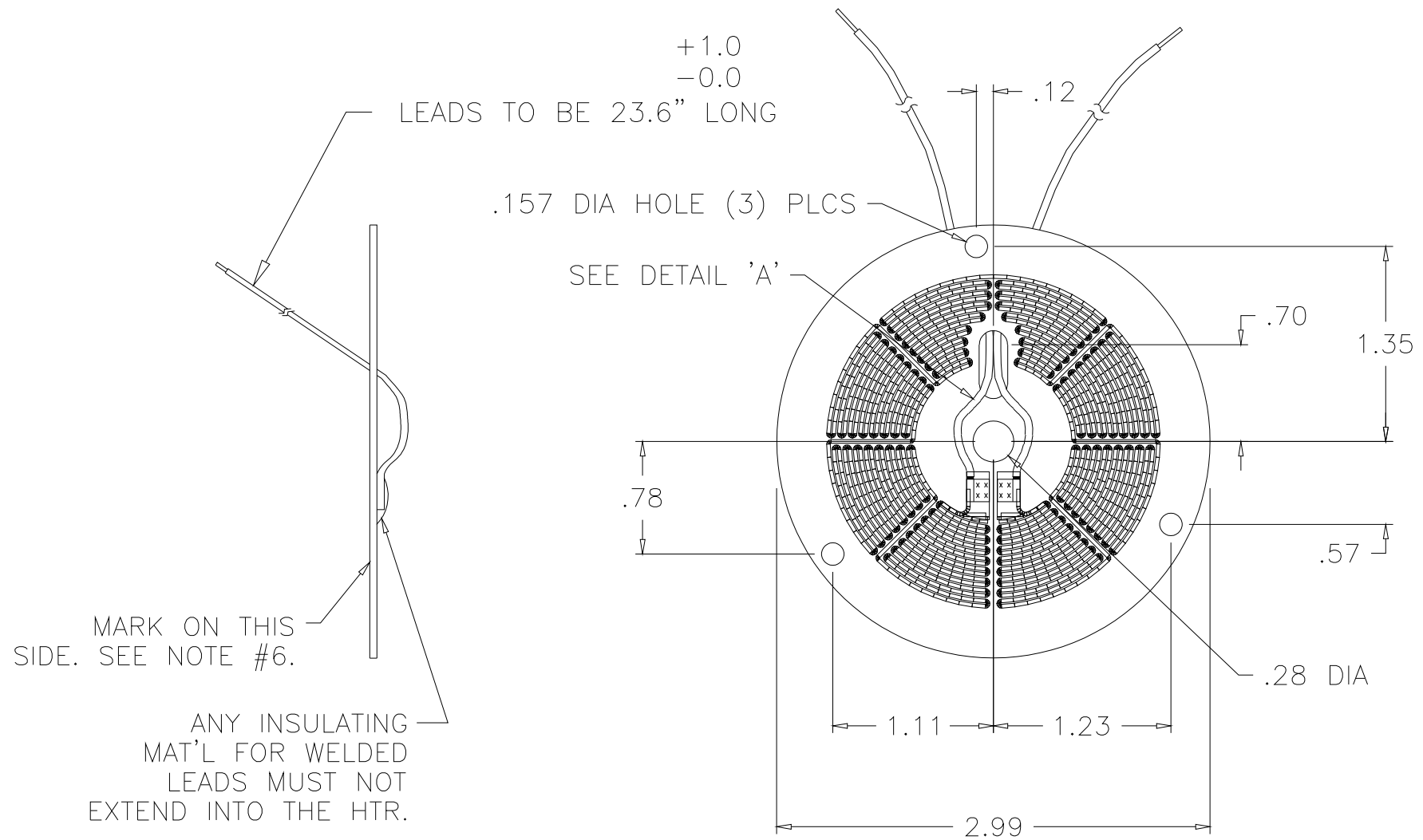


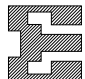
NOTES:

1. ELECTRICAL RATINGS:
120 VAC 203 WATTS
2. RESISTANCE:
69.54MIN. - 70.96NOM. - 72.38MAX.
3. CONSTRUCTION:
KAPTON FILM ENCASING AN
FOIL RESISTANCE ELEMENT
4. LEAD WIRES:
24 AWG, RED TEFLON, UL1180/CSA
LEADS TO BE WELDED AS ILLUSTRATED.
5. DIELECTRIC STRENGTH:
1250 VAC, 1 MIN, 1Ma MAX.
6. MARKING:
ELMWOOD SENSORS
C3400-154
(DATE)
YR/LOT#
7. MONSANTO P/N: C8102046
8. PART TO BE FREE OF ANY
CRINKLES OR FOLDS.
9. PART TO BE FREE OF ANY
VOIDS, BUBBLES OR SURFACE
IRREGULARITIES.



(4) HITS REQ.
ON EACH WELD TAB

DETAIL 'A'

UNLESS OTHERWISE SPECIFIED DIMENSIONS ARE IN INCHES FRACT: DEC: ANGLES: ± .XX ±.005± .XXX±					 ELMWOOD SENSORS INC. 500 Narragansett Park Dr. Pawtucket, RI 02861-4325	
MAT'L:					TITLE: HEATER	
FINISH:					DRAWN BY: MFD 3/25/93 DATE: CAD DWG NO.: \HEATERS\COMM\3400\154	
USED ON:					CHECKED: GPS 3/25/93 DWG NO.: C3400-154	
SCALE: 1 : 1					APPROVED: JKS 3/25/93	
REVISIONS					CODE IDENT NO: 14604 SH 1 OF 1	

X-ON Electronics

Largest Supplier of Electrical and Electronic Components

Click to view similar products for [Thermoelectric Assemblies](#) category:

Click to view products by [Honeywell](#) manufacturer:

Other Similar products are found below :

[C3400-154](#) [HEX020VA](#) [HEX150PC](#) [HEX160PA](#) [HEX200PC](#) [HEX150PB](#) [HEX060PA](#) [HEX200PB](#) [HEX050QA](#) [TEC1-12704](#) [TEC1-12715](#)
[TEC1-12730](#) [TEC1-04908](#) [TEC1-06310](#) [TEC1-07103](#) [HEX050PA](#) [HEX080QA](#) [DA-044-12-02-00-00](#) [DA-045-24-02-00-00](#) [AA-040-12-22-00-00](#) [387000918](#) [TC-18-QE-50](#) [LA-115-24-02-00-00](#) [DA-160-24-02-00-00](#) [AA-150-24-22-00-00](#) [AA-060-12-22-00-00](#) [AA-034-12-22-00-00](#) [AA-033-12-22-00-00](#) [WL 500](#) [371061,01](#) [MBS HH](#) [AA-026-12-22-00-00](#) [DA-033-12-02-00-00](#) [DA-075-12-02-00-00](#) [DL-210-24-00-00-00](#) [385910-043](#) [385911-015](#) [387003326](#) [387004204](#) [DA-011-05-02-00-00](#) [TEC1-01708](#) [TEC1-03108](#) [TEC1-12710](#) [CM036-20002N](#)
[CM036-20003N](#) [TEC1-12708](#) [TEMA-AA-50-12](#) [TEMA-AA-50-24](#) [TEMA-AP-40-12](#)