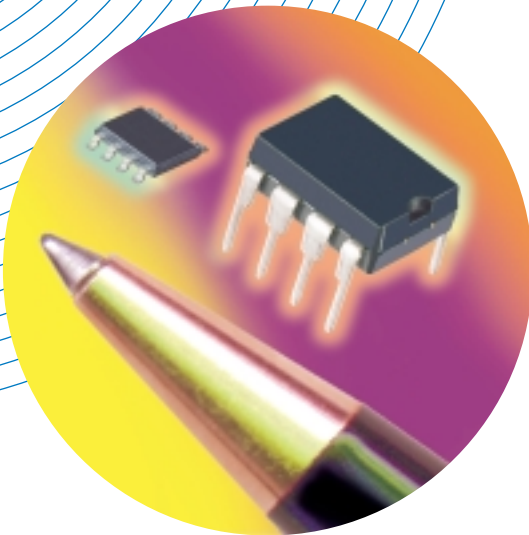


NEW

CLAROCHIP™

Nonvolatile Digital Trimming Potentiometer

Series CC9317



The CLAROCHIP CC9317 digital trimmer is a 7-bit nonvolatile DAC designed to replace mechanical trimmers. It includes a unity-gain amplifier to buffer the DAC output and enables V_{OUT} to swing from rail to rail.

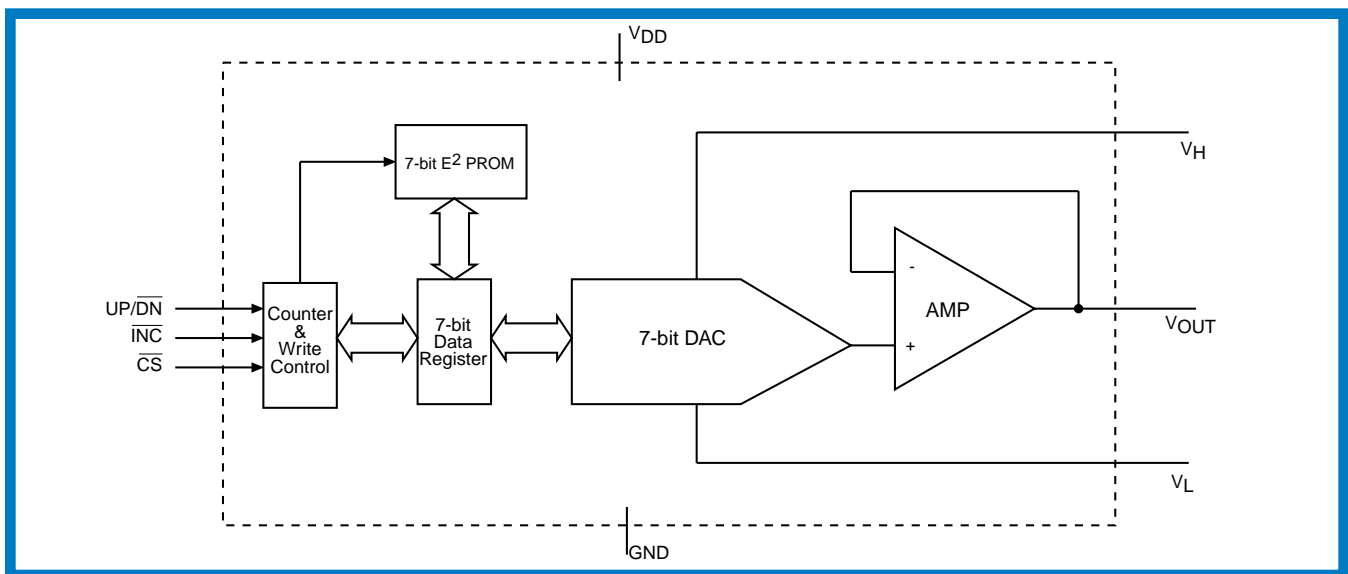
The trimmer operates over a supply voltage range of 2.7V to 5.5V. Its simple up/down counter input provides an ideal interface for automatic test equipment to dither and monitor the V_{OUT} voltage. This interface allows for quick and consistent calibration of even the most sophisticated systems.

The CLAROCHIP CC9317 is a pin-compatible performance upgrade for other industry nonvolatile potentiometers. It offers higher resolution than these devices and provides "clickless" transitions of V_{OUT} .

Features

- **Digitally Controlled Electronic Potentiometer**
- **7-Bit Digital-to-Analog Converter (DAC)**
 - Independent Reference Inputs
 - Differential Non-Linearity $\pm 0.5\text{LSB}$
 - Integral Non-Linearity $\pm 1\text{LSB}$
- **V_{OUT} Value in EEPROM for Power-On Recall**
 - Equivalent to 128-Step Potentiometer
- **Unity Gain Op Amp Drives up to 1mA**
- **Low Power, 1mW max at +5V**
- **Simple Trimming Adjustment**
 - Up/Down Counter Style Operation
- **Low Noise Operation**
- **Make-Before-Break Contact for "Clickless" Transitions between DAC Steps**
- **No Mechanical Wearout Problem**
 - 1,000,000 Stores (typical)
 - 100 Year Data Retention
- **Operation from +2.7V to +5.5V Supply**
- **Fool-proof, Set-and-Forget Calibrations**

Functional Block Diagram



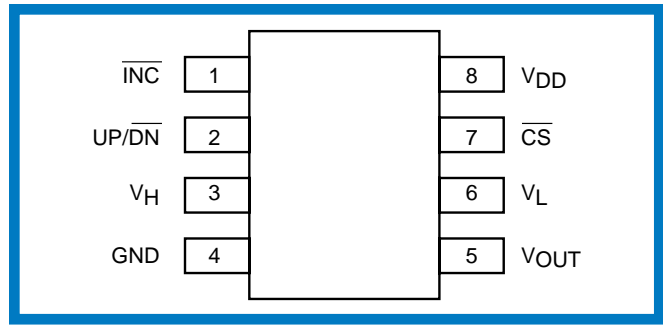
Telephone: 800.874.1874 Fax: 800.223.5138

12055 Rojas Drive • Suite K • El Paso, Texas USA 79936 • www.clarostat.com

the **NEW**

CLAROSTAT

Symbol	Description
$\overline{\text{INC}}$	Increment Input, High to Low Edge Trigger
UP/ $\overline{\text{DN}}$	Up/Down Input controlling relative V_{OUT} movement
V_{H}	V_{+} reference input
GND	Analog and Digital Ground
V_{OUT}	Trimmed Voltage Output
V_{L}	V_{-} reference input
$\overline{\text{CS}}$	Active low chip select input
V_{DD}	Supply Voltage (2.7V to 5.5V)



Analog Section

The CC9317 is a 7-bit, voltage output digital-to-analog converter (DAC). The DAC consists of a resistor network that converts a 7-bit value into equivalent analog output voltages in proportion to the applied reference voltage.

Reference Inputs

The voltage differential between the V_{L} and V_{H} inputs sets the full-scale output voltage range. V_{L} must be equal to or greater than ground (i.e. a positive voltage). V_{H} must be greater than V_{L} and less than or equal to V_{DD} . See table on page 3 for guaranteed operating limits.

Output Buffer Amplifier

The voltage output is from a precision unity-gain follower that can slew up to $1\text{V}/\mu\text{s}$.

Digital Interface

The interface is designed to emulate a simple up/down counter, but instead of a parallel count output, a ratiometric voltage output is provided.

Chip Select ($\overline{\text{CS}}$) is an active low input. Whenever $\overline{\text{CS}}$ is high the CC9317 is in standby mode and consumes the least power. This mode is equivalent to a potentiometer that is adjusted to the required setting. When $\overline{\text{CS}}$ is low the CC9317 will recognize transitions on the $\overline{\text{INC}}$ input and will move the V_{OUT} either toward the V_{H} reference or toward the V_{L} reference depending upon the state of the UP/ $\overline{\text{DN}}$ input.

The host may exit an adjustment routine in two ways: deselecting the CC9317 while $\overline{\text{INC}}$ is low will not perform a store operation (a subsequent power cycle will recall the original data); deselecting the CC9317 while $\overline{\text{INC}}$ is high will store the current V_{OUT} setting into non-volatile memory.

Increment ($\overline{\text{INC}}$) is an edge triggered input. Whenever $\overline{\text{CS}}$ is low and a high to low transition occurs on the $\overline{\text{INC}}$ input, the V_{OUT}

voltage will either move toward V_{H} or V_{L} depending upon the state of the UP/ $\overline{\text{DN}}$ input.

Up/Down (UP/ $\overline{\text{DN}}$) is an input that will determine the V_{OUT} movement relative to V_{H} and V_{L} . When $\overline{\text{CS}}$ is low, UP/ $\overline{\text{DN}}$ is high and there is a high to low transition on $\overline{\text{INC}}$, the V_{OUT} voltage will move $(1/128 \text{th} \times V_{\text{H}} - V_{\text{L}})$ toward V_{H} . When $\overline{\text{CS}}$ and UP/ $\overline{\text{DN}}$ are low, and there is a high to low transition on $\overline{\text{INC}}$, the V_{OUT} will move $(1/128 \text{th} \times V_{\text{H}} - V_{\text{L}})$ toward V_{L} .

Power-Up/Power-Down Conditions

On power-up the CC9317 loads the value of EEPROM memory into the wiper position register. The value in the register is changed using the $\overline{\text{CS}}$, $\overline{\text{INC}}$, and UP/ $\overline{\text{DN}}$ pins. The new data in the register will be lost at power-down unless $\overline{\text{CS}}$ was brought high, with $\overline{\text{INC}}$ high, to initiate a store operation after the last increment or decrement. On the next device power-up, the value of EEPROM memory will be loaded into the wiper position register. During power-up the CC9317 is write-protected in two ways:

- 1) A power-on reset, that trips at approximately 2.5V, holds $\overline{\text{CS}}$ and $\overline{\text{INC}}$ high internally.
- 2) Resistor pull-ups on all logic inputs prevent data change if the inputs are floating.

Data Retention

The CC9317 is guaranteed to perform at least 1,000,000 writes to EEPROM before a wear-out condition can occur. After EEPROM wearout, the CC9317 continues to function as a volatile digital potentiometer.

The wiper position can be changed during powered conditions using the digital interface. However, on power-up the wiper position will be indeterminate.

On shipment from the factory, CLAROSTAT does not specify any EEPROM memory value. The value must be set by the customer as needed.

ABSOLUTE MAXIMUM RATINGS*	
Temperature Under Bias	-55°C to +125°C
Storage Temperature	-65°C to +150°C
Voltage on pins with reference to GND:	
Analog Inputs	-0.5V to $V_{\text{DD}}+0.5\text{V}$
Digital Inputs	-0.5V to $V_{\text{DD}}+0.5\text{V}$
Analog Outputs	-0.5V to $V_{\text{DD}}+0.5\text{V}$
Digital Outputs	-0.5V to $V_{\text{DD}}+0.5\text{V}$
Lead Solder Temperature (10 secs)	300°C

*COMMENT

Stresses above those listed under Absolute Maximum Ratings may cause permanent damage to the device. These are stress ratings only, and functional operation of the device at these or any other conditions outside those listed in the operation sections of this specification is not implied.

Exposure to any absolute maximum rating for extended periods may affect device performance and reliability.

RECOMMENDED OPERATING CONDITIONS

Condition	Min	Max
Temperature	-40°C	+85°C
V _{DD}	+2.7V	5.5V

DAC DC ELECTRICAL CHARACTERISTICS

V_{DD} = +2.7V to +5.5V, V_{refH} = V_{DD}, V_{refL} = 0V, T_A = -40°C to +85°C, unless specified otherwise

	Symbol	Parameter	Conditions	Min.	Typ.	Max.	Units
Accuracy	INL	Integral Non-Linearity	I _{LOAD} = 100μA	-	0.5	±1	LSB
	DNL	Differential Non-Linearity	I _{LOAD} = 100μA Guaranteed but not tested	-	0.1	±0.5	LSB
References	V _H	V _{refH} Input Voltage		V _{refL}	-	V _{DD}	V
	V _L	V _{refL} Input Voltage	V _H ≥ V _L	Gnd	-	V _{refH}	V
	R _{IN}	V _{refH} to V _{refL} Resistance		-	38K	-	Ω
	TCR _{IN}	Temperature Coefficient of R _{IN}	V _{refH} to V _{refL}	-	600	-	ppm/°C
Analog Output	GEFS	Full-Scale Gain Error	DATA = 7F	-	-	±1	LSB
	V _{OUTZS}	Zero-Scale Output Voltage	DATA = 00	0		20	mV
	TCV _{OUT}	V _{OUT} Temperature Coefficient	V _{DD} = +5, I _{LOAD} = 50μA, V _{refH} = +5V, V _{refL} = 0V Guaranteed but not tested	-	-	50	μV/°C
	I _L	Amplifier Output Load Current		-200		+1000	μA
	R _{OUT}	Amplifier Output Resistance	I _L = 100μA V _{DD} = +5V	-	10		Ω
			V _{DD} = +3V	-	20		Ω
	PSRR	Power Supply Rejection	I _{LOAD} = 10μA	-	-	1	LSB/V
	e _N	Amplifier Output Noise	f = 1KHz, V _{DD} = +5V	-	90	-	nV/√Hz
	THD	Total Harmonic Distortion	V _{IN} = 1V rms, f = 1KHz	-	0.08	-	%
BW	Bandwidth - 3dB	V _{IN} = 100mV rms	-	300	-	kHz	

RELIABILITY CHARACTERISTICS (over recommended operating conditions unless otherwise specified)

Symbol	Parameter	Min	Max	Unit	Test Method
V _{ZAP}	ESD Susceptibility	2000		V	MS-883, TM 3015
I _{LT}	Latch-Up	100		mA	JEDEC Standard 17
T _{DR}	Data Retention	100		Years	MS-883, TM 1008
N _{END}	Endurance	1,000,000		Stores	MS-883, TM 1033

DC ELECTRICAL CHARACTERISTICS

V_{DD} = +2.7V to +5.5V, V_H = V_{DD}, V_L = 0V, T_A = -40°C to +85°C, unless otherwise specified

Symbol	Parameter	Conditions	Min	Max	Units
I _{DD}	Supply Current during store, note 1	CS = V _{IL} to V _{IH} W/INC HI		1.2	mA
I _{SB}	Supply Standby Current	CS = V _{IH}		200	μA
I _{IH}	Input Leakage Current	V _{IN} = V _{DD}		10	μA
I _{IL}	Input Leakage Current, note 2	V _{IN} = 0V		-25	μA
V _{IH}	High Level Input Voltage		2	V _{DD}	V
V _{IL}	Low Level Input Voltage	V _{DD} ≥ 4.5V	0	0.8	V

Notes:

- I_{DD} is the supply current drawn while the EEPROM is being updated. I_{DD} does not include the current that flows through the Reference resistor chain.
- CS, UP/DN and INC have internal pull-up resistors of approximately 200kΩ. When the input is pulled to ground the resulting output current will be V_{DD}/200kΩ.

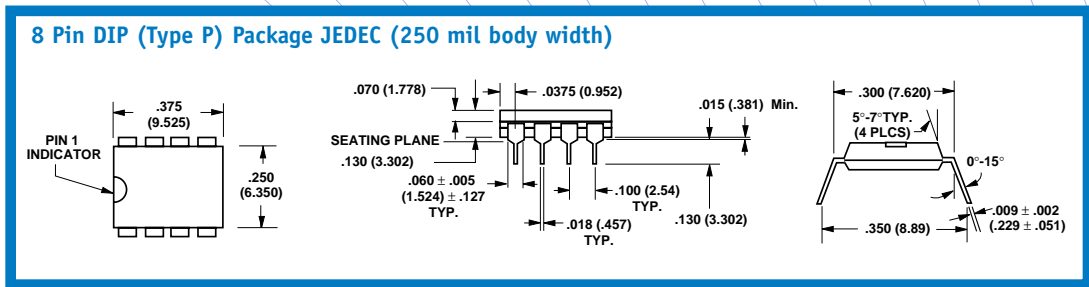
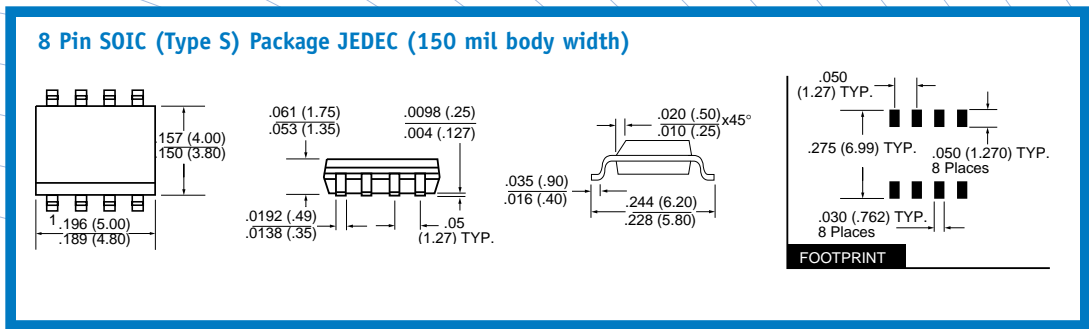
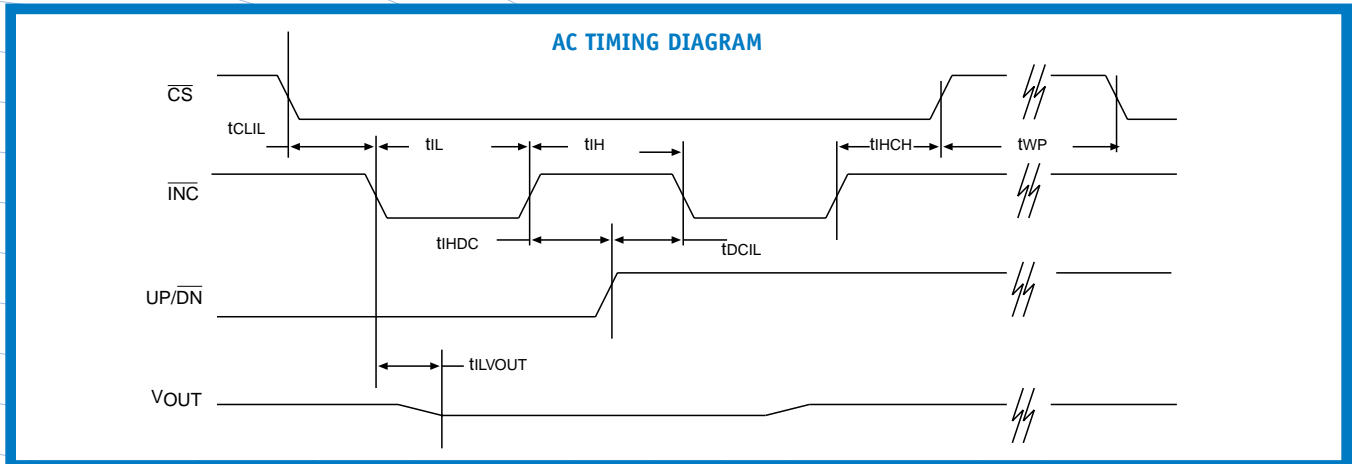
OPERATIONAL TRUTH TABLE

\overline{INC}	\overline{CS}	UP/ \overline{DN}	Operation
HI _{TO} LO	L	H	V _{OUT} toward V _H
HI _{TO} LO	L	L	V _{OUT} toward V _L
H	LO _{TO} HI	X	Store Setting
L	LO _{TO} HI	X	Maintain Setting, NO Store
X	H	X	Standby, note 1

Notes: 1. The Standby or Operating current will be lowest with \overline{INC} and UP/ \overline{DN} pins at H due to weak internal pull-ups that draw current when connected LO.

AC TIMING CHARACTERISTICS VDD = +4.5V to +5.5V

Symbol	Parameter	Min	Max	Units
t _{CLIL}	\overline{CS} to \overline{INC} Setup	100		ns
t _{IHDC}	\overline{INC} High to UP/ \overline{DN} Change	100		ns
t _{DCIL}	UP/ \overline{DN} to \overline{INC} Setup	100		ns
t _{IL}	\overline{INC} Low Period	200		ns
t _{IH}	\overline{INC} High Period	200		ns
t _{IHCH}	\overline{INC} Inactive to \overline{CS} Inactive	100		ns
t _{WP}	Write Cycle Time		5	ms
t _{ILVOUT}	\overline{INC} to V _{OUT} Delay		5	μs



How to Order

CC9317 | **S**

Base Part Number

Package

S = 8 Pin SOIC
P = 8 Pin DIP

X-ON Electronics

Largest Supplier of Electrical and Electronic Components

Click to view similar products for [Digital to Analog Converters - DAC category](#):

Click to view products by [Honeywell manufacturer](#):

Other Similar products are found below :

[5962-8871903MYA](#) [5962-8876601LA](#) [5962-89697013A](#) [5962-89932012A](#) [5962-9176404M3A](#) [PM7545FPCZ](#) [AD5311BRMZ-REEL7](#)
[AD5311RBRMZ-RL7](#) [AD558SE/883B](#) [AD5681RBCPZ-1RL7](#) [AD664TE/883B](#) [AD667SE](#) [AD7845SE/883B](#) [AD9115BCPZRL7](#)
[AD9162BBCA](#) [DAC08RC/883C](#) [JM38510/11302BEA](#) [AD5449YRUZ-REEL7](#) [AD664AJ](#) [AD664BJ](#) [AD667SE/883B](#) [AD7534JPZ](#) [TCC-](#)
[103A-RT](#) [057536E](#) [5962-87700012A](#) [5962-87700032A](#) [5962-87789022A](#) [5962-89657023A](#) [702423BB](#) [AD664BE](#) [MAX5853ETL+T](#)
[MAX5801AUB+](#) [AD9116BCPZRL7](#) [MAX5110GTJ+](#) [MAX5702BAUB+](#) [DS4412U+T&R](#) [MAX5364EUT+T](#) [MAX5858AECM+D](#)
[AD5821ABCBZ-REEL7](#) [MX7528KP+](#) [MAX5858ECM+D](#) [MAX5138BGTE+T](#) [MAX5856AECM+D](#) [AD9164BBCA](#) [AD7545AUE](#)
[MX7528JP+](#) [TCC-303A-RT](#) [MAX5112GTJ+](#) [DS3911T+T](#) [MAX5805BAUB+T](#)