

CABLE PULL NOMENCLATURE

CLS 

BODY CODE	
A	PG13.5
B	1/2 NPT
C	20MM
D	PF 1/2
E	3/4 NPT

BASIC SWITCH CODE	
1	1NC DIRECT ACTING
2	1NO - 1NC SNAP ACTION (HDL) MOMENTARY HEADS ONLY
3	1NO - 1NC SNAP ACTION (GLS) MOMENTARY HEADS ONLY
4	1NO - 1NC DIRECT ACTING
5	1NO - 1NC DIRECT ACTING 240V NEON INDICATOR
6	1NO - 1NC DIRECT ACTING 120V NEON INDICATOR
7	1NO - 1NC DIRECT ACTING 24V LED INDICATOR
8	2NC DIRECT ACTING
9	SPECIAL BASIC SEE LETTERED MOD CODES

OPERATING HEAD CODE	
A	"MAINTAINED"
B	"MOMENTARY"
N	"MOMENTARY" W/O BROKEN CABLE DETECTION
T	"MAINTAINED" SNAP ACTION

MODIFICATION CODES *	
B	1NO-3NC SLOW ACTING
E	2NO-2NC SLOW ACTING
G	5-PIN CONNECTOR BRAD HARRISON P/N 41310 OR EQUIV.
N	240V NEON INDICATOR W/SPEC. BASIC
M	120V NEON INDICATOR W/SPEC. BASIC
P	24V LED INDICATOR W/SPEC. BASIC
1	HEAD ORIENTED LEFT
2	HEAD ORIENTED FRONT
3	HEAD ORIENTED REAR

*WHEN MORE THAN ONE MODIFICATION CODE IS SPECIFIED THEY SHALL BE LISTED IN ASCENDING ALPHA-NUMERIC ORDER

NOTE:

- 1 - COVER AND OPERATING HEAD ATTACHED WITH "T-15" TAMPER PROOF TORX DRIVE SCREWS
- 2 - HARDWARE PACKET CONSISTING OF TURNBUCKLE, NUTS, END SPRING, AND "T-15" TAMPER PROOF TORX DRIVER BIT INCLUDED WITH PRODUCT
- 3 - OPERATING HEAD MAY BE POSITIONED IN ANY OF FOUR DIRECTIONS
- 4 - NOMENCLATURE IS PROVIDED FOR IDENTIFICATION OF EXISTING LISTINGS. NOT ALL COMBINATIONS ARE POSSIBLE

CATALOG LISTING
CLS SERIES CHART 1
 PAGE 1 OF 3
 RELEASE NO. PR-21597
 REPLACES
 ISSUE 9

REVISIONS	
A	CO-93942 GLH 7 DEC 88
B	CO-94714 GLH 7 APR 89
C	CO-95788 MAM 25 OCT 89
D	CO-95967 DCS 3 MAY 00
E	201010 TSM 10/14/00
F	201144 GLH 28 SEP 00
G	202321 DCS 27 FEB 01

DRAWN LJK
 CHECK LJK
 5 APR 96
 7 DEC 98
 PTC/CAD

THIRD ANGLE PROJECTION	
SCALE	NONE
DO NOT SCALE PRINT	
UNLESS OTHERWISE SPECIFIED TOLERANCES ARE	
ONE PLACE	(.0) ±.030
TWO PLACE	(.00) ±.015
THREE PLACE	(.000) ±.005
ANGLES	±
WEIGHT	

CLS SERIES CHART 1
 PAGE 2 OF 3
 RELEASE NO. CO-93942
 REPLACES
 DRAWING NUMBER
 ISSUE 9
 CHECK
 REVISIONS
 A CO-95788
 MAN 22 OCT 99
 B CO-95967
 DCS 3 MAY 00
 C 201010
 YSM 10AUG00
 D 201144
 GLH 26SEP00
 E 202321
 DCS 27 FEB 01
 CHECK
 DRAWN
 MAM 22 OCT 99
 CHECK
 PTC/CAD 3D

4.674±.060

2.344±.006

2.77

3.52±.06

2X Ø.203 MTG HOLE

INDICATOR VERSION ONLY

2X 10-32 UNF-2B TAPPED FROM REAR ONLY, .500 MIN DEEP

2X "T-15" TORX DRIVE SECURITY SCREWS

CONNECTOR VERSION ONLY

1.156±.006

1.62

2.99±.03

MTG PADS

CONDUIT OPENING

.800

1.535±.020

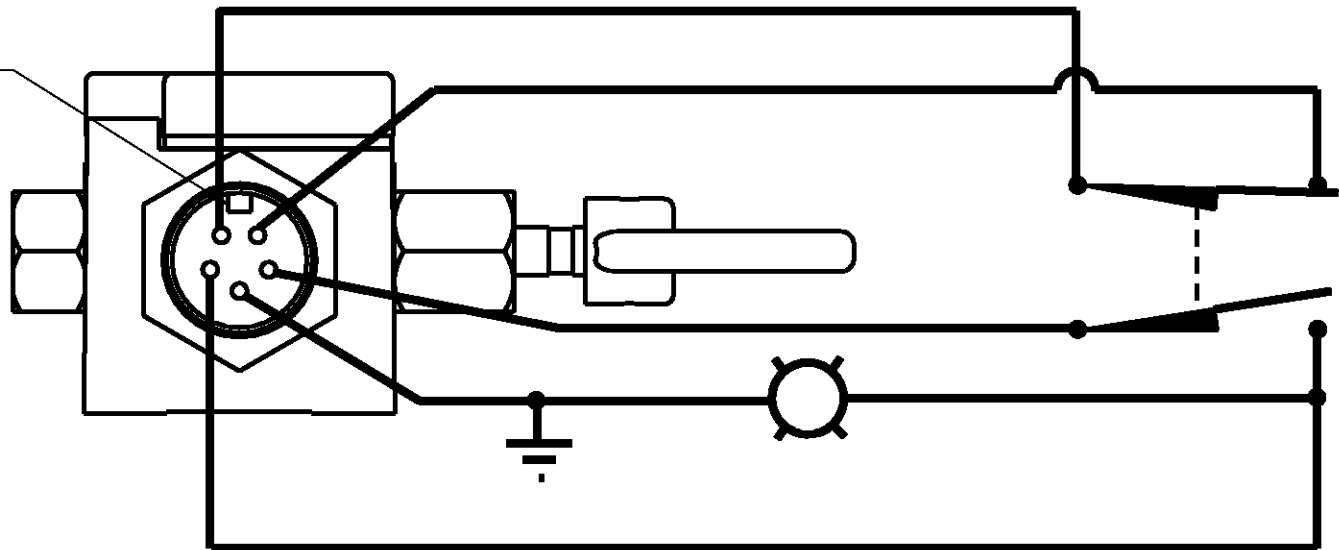
1.773±.030

1.37±.02

.28±

5.553±.060

KEYWAY



MODIFICATION CODE G
WIRING DIAGRAM

WITH OPERATING

WITH OPERATING

WITH OPERATING HEAD CODES "A" & "N"

THIS DRAWING COVERS A PROPRIETARY ITEM AND IS THE PROPERTY OF MICRO SWITCH, A HONEYWELL. THIS DRAWING IS NOT TO BE COPIED OR USED WITHOUT THE APPROVAL OF MICRO SWITCH.

MICRO SWITCH
a Honeywell Division

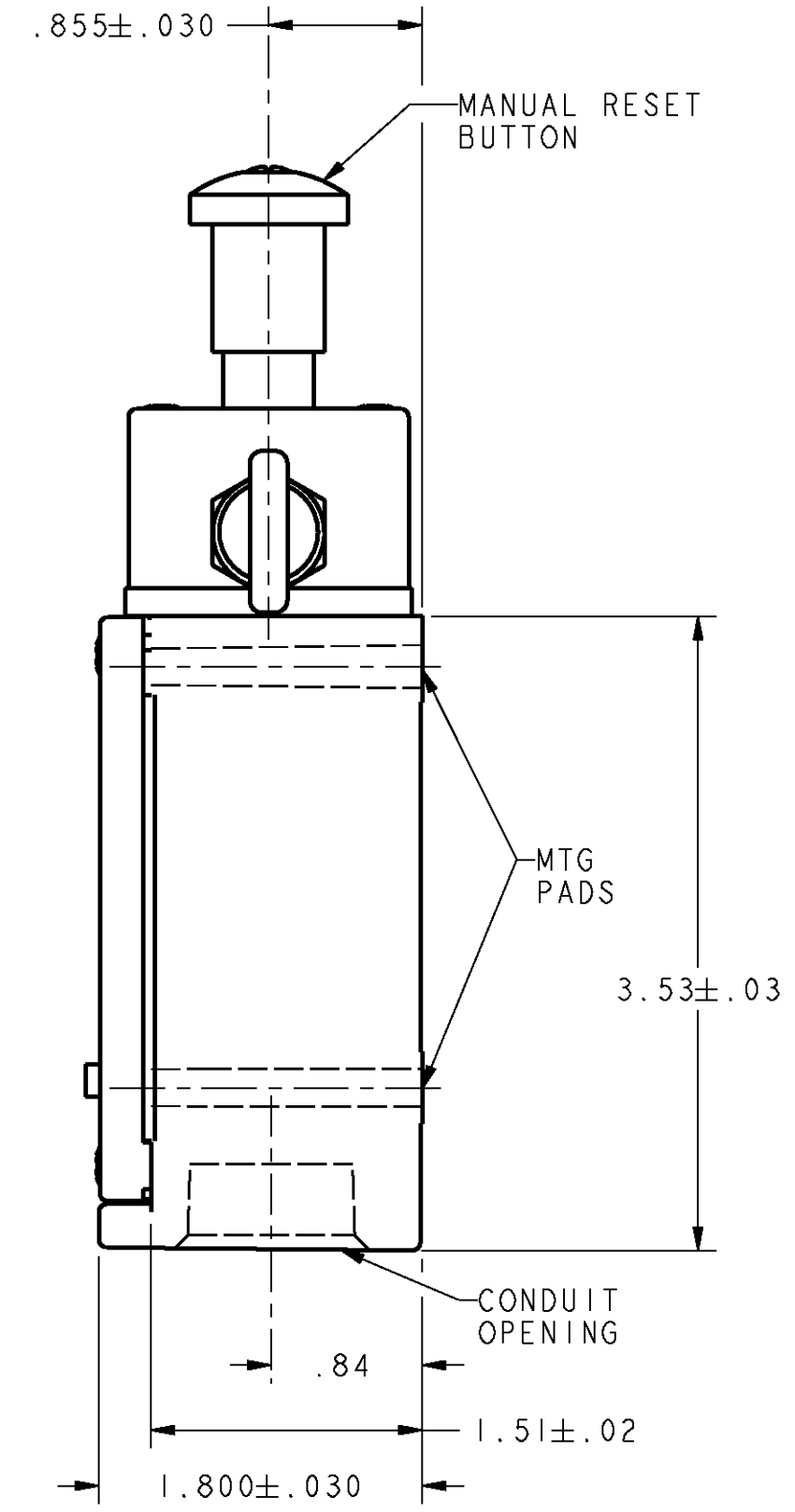
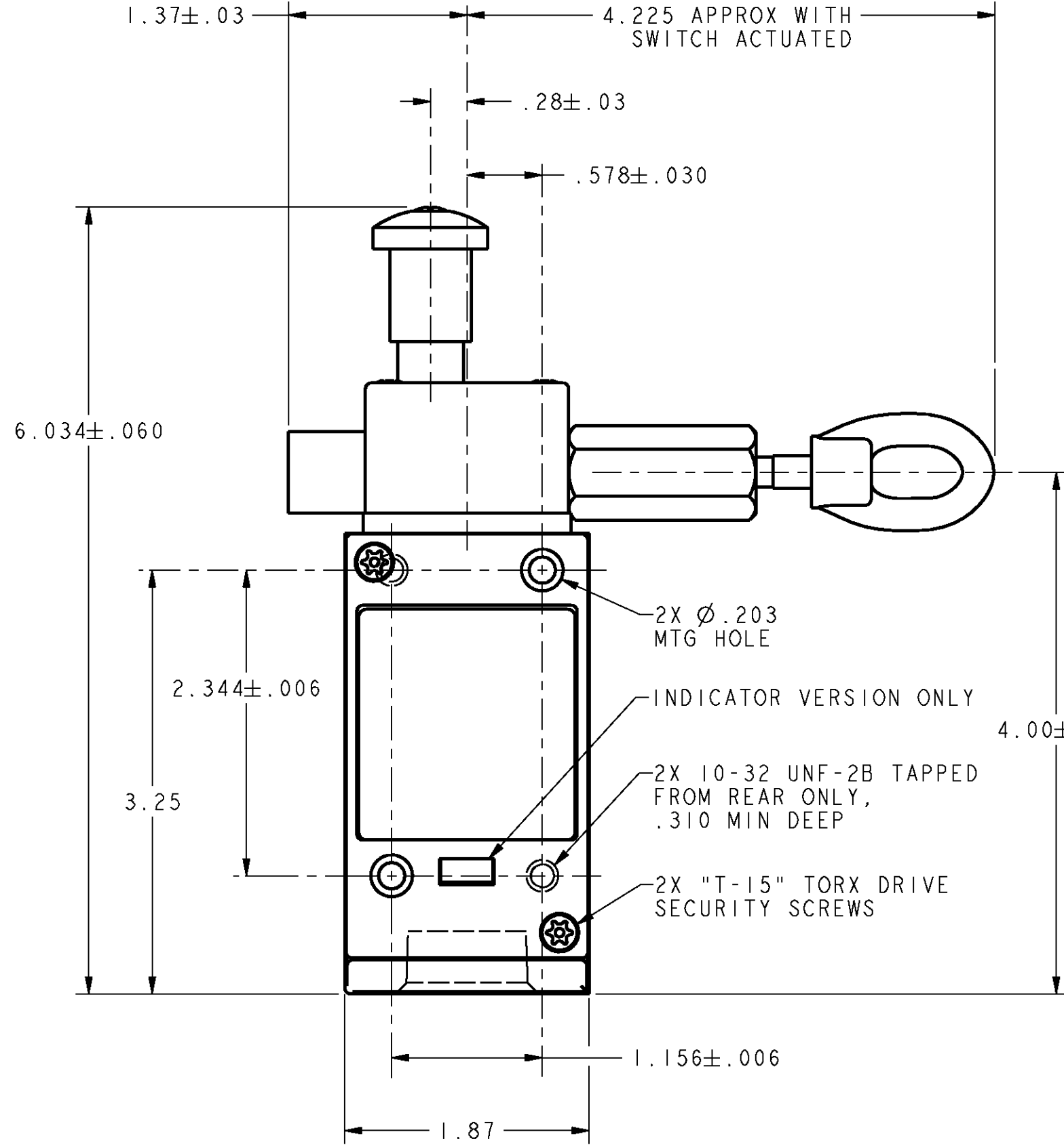
SWITCH - ENCLOSED

CLS SERIES

ANSI Y14.5M-1982 APPLIES

FED. MFG. CODE 91929

CLC SERIES CHART 1
 PAGE 3 OF 3
 RELEASE NO. CO-93942
 DRAWING NUMBER
 ISSUE 9
 CHECK
 REVISIONS
 A CO-95788
 MAN 22 OCT 99
 B CO-95967
 DCS 4 MAY 00
 C 201010
 TSM 10AUG00
 D 201144
 GLH 26SEP00
 E 202321
 DCS 27 FEB 01
 CHECK
 22 OCT 99
 CHECK
 22 OCT 99
 CHECK
 22 OCT 99
 DRAWN
 PTC/CAD 3D
 MAM 22OCT99



5.155±.060

WITH OPER

WITH OPERATING HEAD CODE "T"

THIS DRAWING COVERS A PROPRIETARY ITEM AND IS THE PROPERTY OF MICRO SWITCH, A HONEYWELL. THIS DRAWING IS NOT TO BE COPIED OR USED WITHOUT THE APPROVAL OF MICRO SWITCH.

MICRO SWITCH
 a Honeywell Division
 FED. MFG. CODE 91929

SWITCH - ENCLOSED

CLC SER

ANSI Y14.5M-1982 APPLIES

CABLE PULL NOMENCLATURE



BODY CODE	
A	PG13.5
B	1/2 NPT
C	20MM
D	PF 1/2
E	3/4 NPT

BASIC SWITCH CODE	
1	1NC DIRECT ACTING
2	1NO - 1NC SNAP ACTION (HDLS) MOMENTARY HEADS ONLY
3	1NO - 1NC SNAP ACTION (GLS) MOMENTARY HEADS ONLY
4	1NO - 1NC DIRECT ACTING
5	1NO - 1NC DIRECT ACTING 240V NEON INDICATOR
6	1NO - 1NC DIRECT ACTING 120V NEON INDICATOR
7	1NO - 1NC DIRECT ACTING 24V LED INDICATOR
8	2NC DIRECT ACTING
9	SPECIAL BASIC SEE LETTERED MOD CODES

OPERATING HEAD CODE	
A	"MAINTAINED"
B	"MOMENTARY"
N	"MAINTAINED" W/O BROKEN CABLE DETECTION
T	"MAINTAINED" SNAP ACTION

MODIFICATION CODES *	
B	1NO-3NC SLOW ACTING
E	2NO-2NC SLOW ACTING
G	5-PIN CONNECTOR BRAD HARRISON P/N 41310 OR EQUIV.
N	240V NEON INDICATOR W/SPEC. BASIC
M	120V NEON INDICATOR W/SPEC. BASIC
P	24V LED INDICATOR W/SPEC. BASIC
1	HEAD ORIENTED LEFT
2	HEAD ORIENTED FRONT
3	HEAD ORIENTED REAR

*WHEN MORE THAN ONE MODIFICATION CODE IS SPECIFIED THEY SHALL BE LISTED IN ASCENDING ALPHA-NUMERIC ORDER

NOTE:

- 1 - COVER AND OPERATING HEAD ATTACHED WITH "T-15" TAMPER PROOF TORX DRIVE SCREWS
- 2 - HARDWARE PACKET CONSISTING OF TURNBUCKLE, NUTS, END SPRING, AND "T-15" TAMPER PROOF TORX DRIVER BIT INCLUDED WITH PRODUCT
- 3 - OPERATING HEAD MAY BE POSITIONED IN ANY OF FOUR DIRECTIONS
- 4 - NOMENCLATURE IS PROVIDED FOR IDENTIFICATION OF EXISTING LISTINGS. NOT ALL COMBINATIONS ARE POSSIBLE

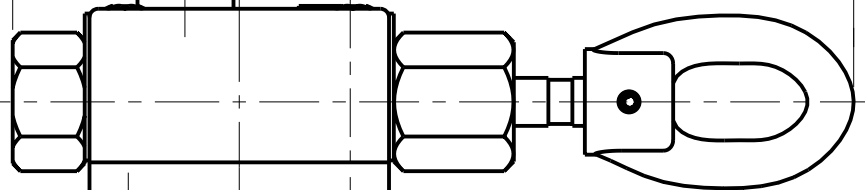
THIRD ANGLE PROJECTION	
SCALE	NONE
DO NOT SCALE PRINT	
UNLESS OTHERWISE SPECIFIED TOLERANCES ARE	
ONE PLACE	(.0) ±.030
TWO PLACE	(.00) ±.015
THREE PLACE	(.000) ±.005
ANGLES	±
WEIGHT	

CLS SERIES CHART 1
 CATALOG LISTING
 PAGE 1 OF 3
 RELEASE NO. PR-21597
 REPLACES
 ISSUE 14
 CHECK
 REVISIONS
 A 206479 TSM 19SEP02
 B 207283 GLH 27JAN03
 CHECK
 7 DEC 98
 LJK
 CHECK
 5 APR 96
 LJK
 DRAWN
 PTC/CAD

CLC SERIES CHART 1
 PAGE 2 OF 3
 RELEASE NO. CO-93942
 REPLACES
 DRAWING NUMBER
 ISSUE 14
 CHECK
 REVISIONS
 A CO-95788 MAM 22 OCT 99
 B CO-95967 DCS 3 MAY 00
 C 201010 TSM 10AUG00
 D 201144 GLH 26SEP00
 E 202321 DCS 27 FEB 01
 F 205423 GRT 22 APR 02
 G 205798 TSM 17 JUN 02
 H 205952 GLH 12 JUL 02
 J 206479 TSM 19 SEP 02
 K 207283 GLH 27 JAN 03
 P.T.C./CAD 3D
 DRAWN MAM 22 OCT 99
 CHECK

4.674±.060

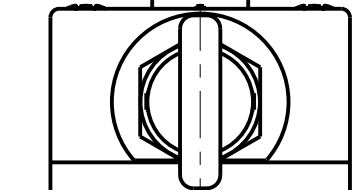
2.344±.006
 2.77



2X Ø.203 MTG HOLE
 INDICATOR VERSION ONLY
 2X 10-32 UNF-2B TAPPED FROM REAR ONLY, .500 MIN DEEP
 2X "T-15" TORX DRIVE SECURITY SCREWS

3.52±.06

CONNECTOR VERSION ONLY
 1.156±.006
 1.62



MTG PADS

2.99±.03

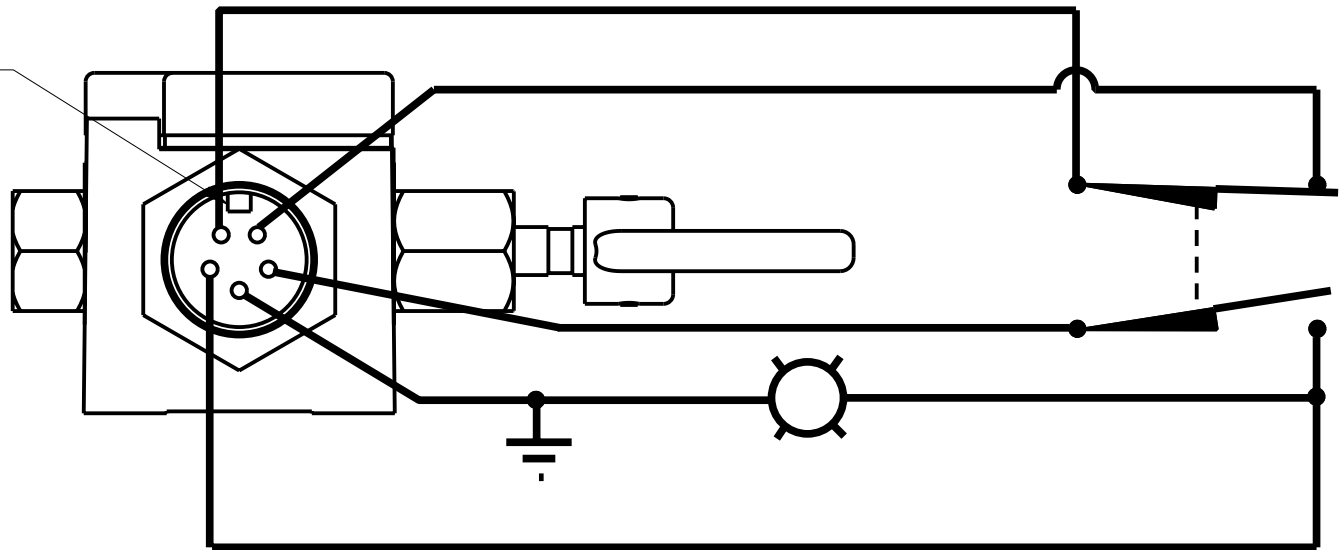
CONDUIT OPENING

.800

1.535±.020

1.773±.030

KEYWAY



MODIFICATION CODE G
 WIRING DIAGRAM

WITH OPERATING HEAD CODES "A" & "N"

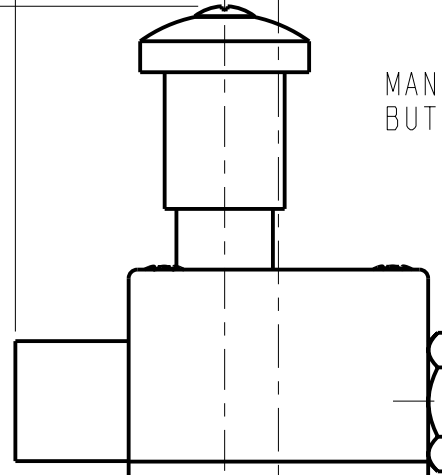
ANSI Y14.5M-1982 APPLIES

WITH OPERATING

1.37±.02

.28±.01

MAN BUT



5.553±.060

WITH OPERATING

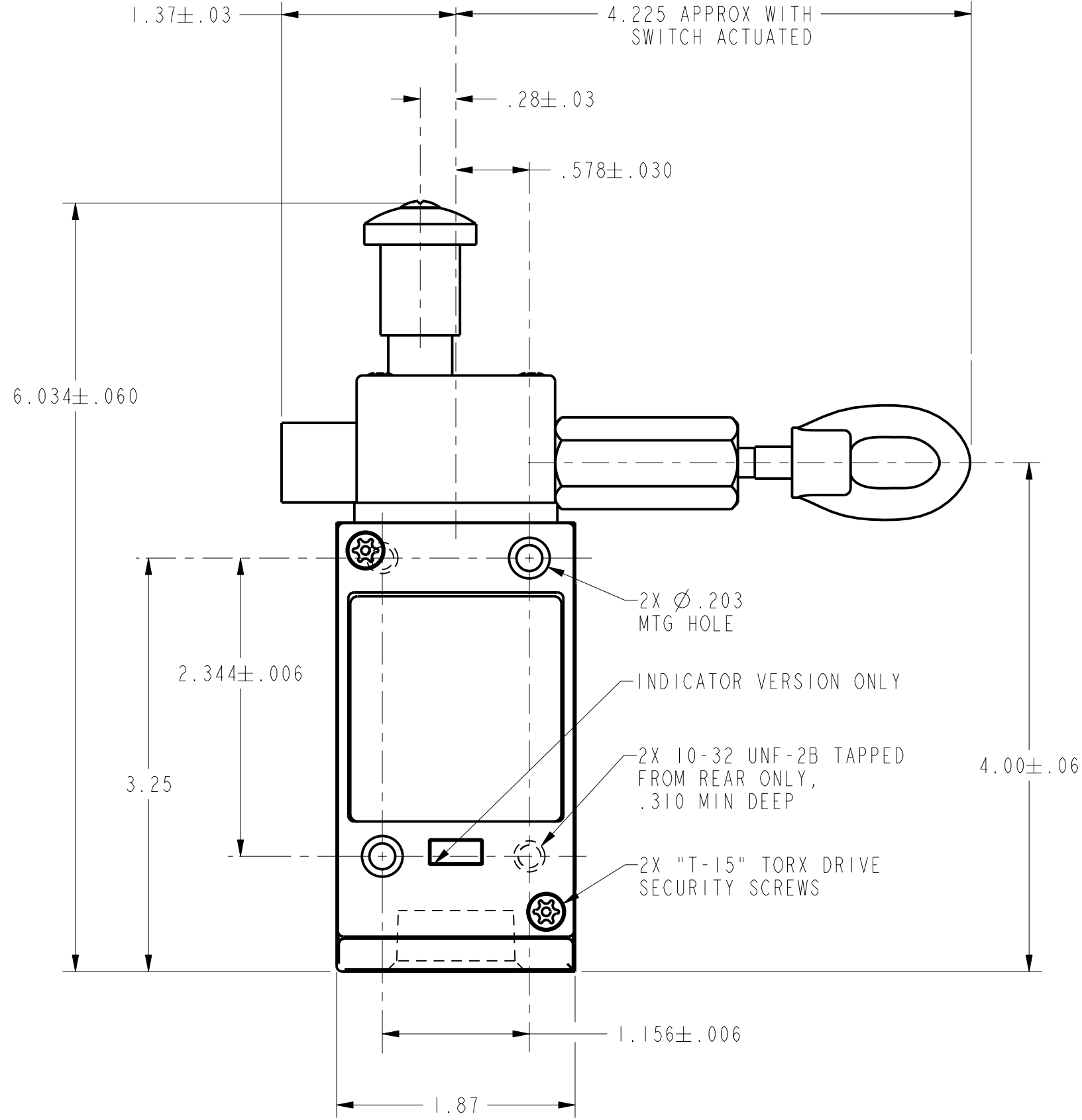
THIS DRAWING COVERS A PROPRIETARY ITEM AND IS THE PROPERTY OF MICRO SWITCH, A HONEYWELL. THIS DRAWING IS NOT TO BE COPIED OR USED WITHOUT THE APPROVAL OF MICRO SWITCH.

MICRO SWITCH
 a Honeywell Division
 FED. MFG. CODE 91929

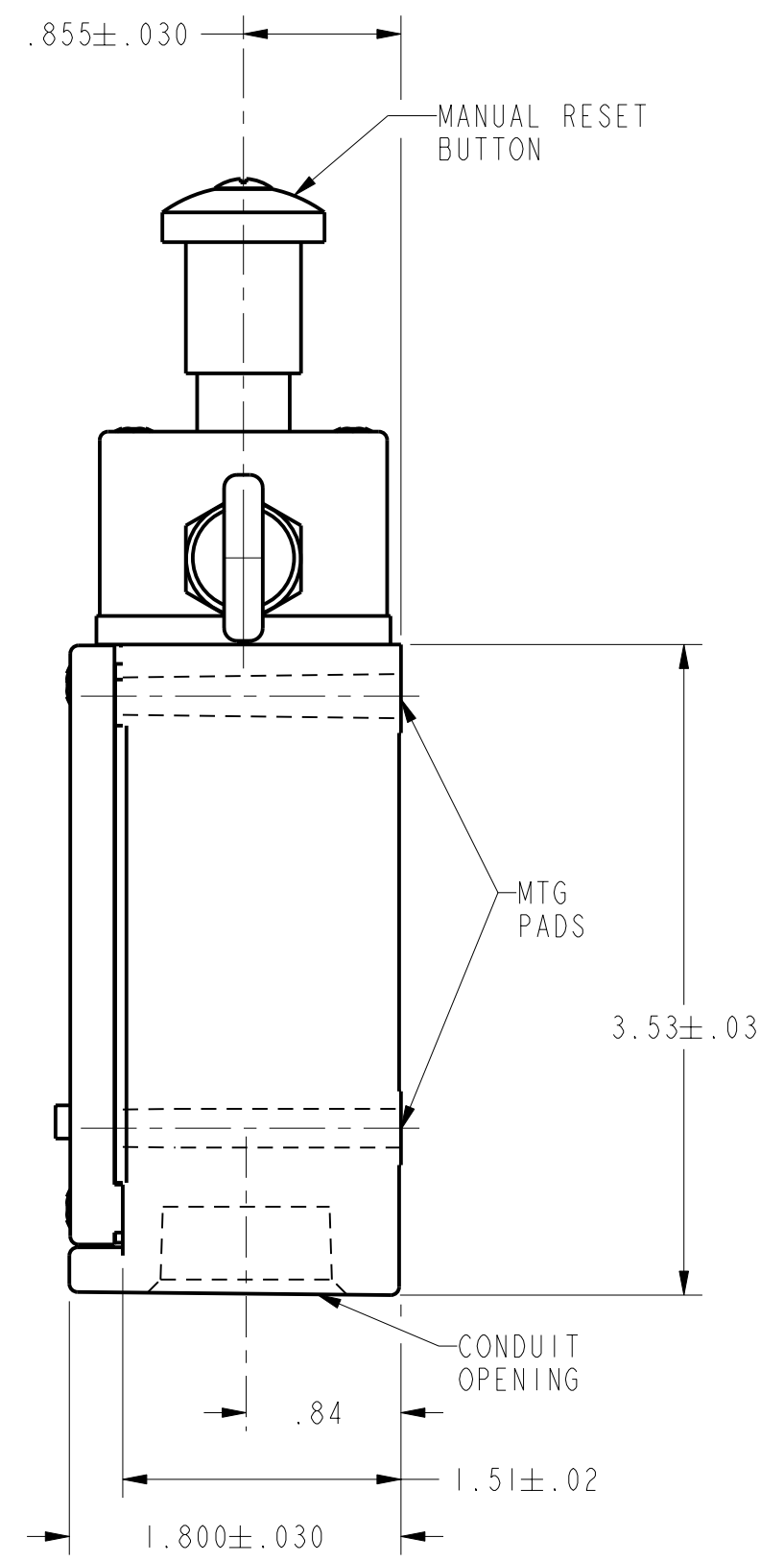
SWITCH - ENCLOSED

CLS SER

CLC SERIES CHART 1
 PAGE 3 OF 3
 RELEASE NO. CO-93942
 DRAWING NUMBER
 ISSUE 14
 REVISIONS
 A CO-95788 MAM 22 OCT 99
 B CO-95967 DCS 4 MAY 00
 C 201010 TSM 10AUG00
 D 201144 GLH 26SEP00
 E 202321
 F 205423 GRT 22 APR 02
 G 205798 TSM 17 JUN 02
 H 205952 GLH 12 JUL 02
 J 206479 TSM 19 SEP 02
 K 207283 GLH 27 JAN 03
 PTC/CAD 3D
 DRAWN MAM 22OCT99
 CHECK



WITH OPERATING HEAD CODE "T"



5.155±.060

WITH OPERATING HEAD CODE "T"

THIS DRAWING COVERS A PROPRIETARY ITEM AND IS THE PROPERTY OF MICRO SWITCH, A HONEYWELL. THIS DRAWING IS NOT TO BE COPIED OR USED WITHOUT THE APPROVAL OF MICRO SWITCH.

MICRO SWITCH
 a Honeywell Division
 FED. MFG. CODE 91929

SWITCH - ENCLOSED

CLC SERIES

ANSI Y14.5M-1982 APPLIES

X-ON Electronics

Largest Supplier of Electrical and Electronic Components

Click to view similar products for [Basic / Snap Action Switches](#) category:

Click to view products by [Honeywell](#) manufacturer:

Other Similar products are found below :

[5SM901-S12](#) [5SM9-S12N195](#) [01.098.1358.1](#) [602EN532](#) [602EN535-RB](#) [602HE5-RB1](#) [604HE162](#) [604HE223-6B](#) [624HE17-RB](#) [6HM82](#)
[6HM89](#) [6SE1](#) [6SX1-H58](#) [70500216](#) [70599106](#) [MBD5B1](#) [MBH2731](#) [73-316-0012](#) [EXD-AR20](#) [79211923](#) [79218589](#) [7AS12](#)
[MIL30126AB6BBMD4A12XAU](#) [ML-1155](#) [ML-1376](#) [831010C3.0](#) [831090C2.EL](#) [83131904](#) [84212012](#) [8AS239](#) [8HM73-3](#) [8SX26-H33](#)
[914CE1-6G](#) [PL-100](#) [11SM1077-H4](#) [11SM1077-H58](#) [11SM1-TN107](#) [11SM405](#) [11SM8423-H2](#) [11SX37-T](#) [11SX48-H58](#) [11SM2442-T](#)
[11SM76-T](#) [11SM77-H58](#) [11SM77-T](#) [11SM863-T](#) [11SM866](#) [A7CN-1M-1-LEFT](#) [A831700C7.0](#) [121EN187-R](#)