

Interactive Catalog Supplements Catalog PDFs

If you need detailed product information, or help choosing the right product for your application, see our [Interactive Catalog](#). Use the [Interactive Catalog](#) to access the most complete and up-to-date information available.

The [Interactive Catalog](#) provides an extensive collection of product specifications, application data, and technical literature that can be searched based on criteria you select.

This PDF catalog information was published in November 2000.



Sensing and Control
[Interactive Catalog...](#)

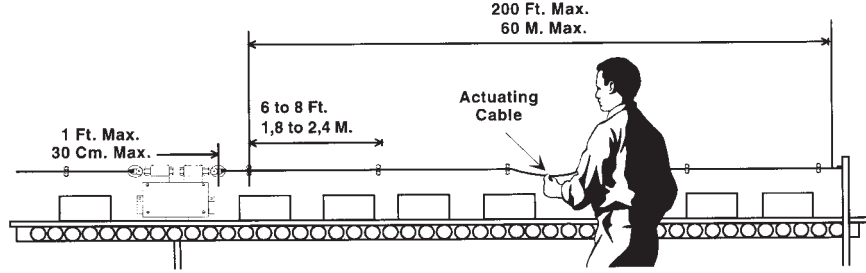
**Click this icon to try
the Interactive Catalog.**

Sensing and Control

Honeywell Inc.

11 West Spring Street

Freeport, IL 61032



Snap action contact blocks and the Smart Distributed Output Version should be used for monitoring only. These types of switches should not be used in control circuits.

BODY CODE

A BLUE BODY – PG13.5
 B BLUE BODY – 1/2 NPT
 C BLUE BODY – 20MM
 D BLUE BODY – PF1/2

PRIMARY BASIC SWITCH CODE – LEFT

1 1NO – 1NC DIRECT ACTING

OPERATING HEAD

B MOMENTARY, BOTH SIDES

MODIFICATION CODES

(See chart below for numbered modification codes.)

INDICATOR – PILOT LIGHT CODE

A 120V – 6W RED PILOT LIGHT
 B 120V NEON INDICATOR
 C 240V NEON INDICATOR
 D 24V LED INDICATOR

AUXILIARY BASIC SWITCH CODE – RIGHT

1 1NO – 1NC DIRECT ACTING
 3 2NO – 2NC (DPDT) SNAP ACTION (Monitoring Only)
 4 1NO – 1NC WITH SDS OUTPUT (Monitoring Only)
 9 NO SWITCH

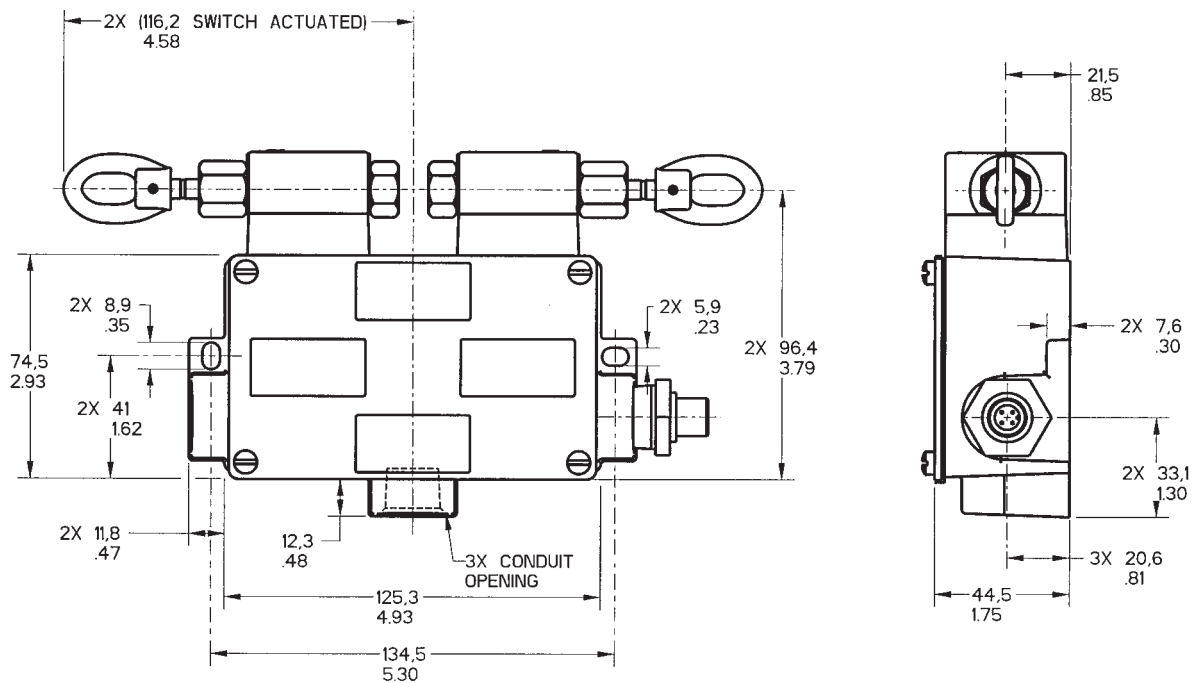
Notes:

- No numbered modification code indicates both heads oriented to side (Duplex Head).
- Standard Conduit openings are left, center, and right with two conduit plugs furnished.
- Leave the INDICATOR – PILOT LIGHT CODE blank if a pilot light is not required.
- Leave the HEAD ORIENTATION NUMBERED MODIFICATION CODE blank if not required. Do not enter zero.

EXAMPLE CATALOG LISTING

| Catalog Listing | Description |
|-----------------|--|
| 2CLSB1B1-3 | Duplex Head Cable Limit Switch, Blue Body – 1/2 NPT, 1NO – 1NC Direct Acting, Momentary – Both Sides, 1NO – 1NC Direct Acting, No Pilot Light, Left Head Front – Right Head Side |

| HEAD ORIENTATION NUMBERED MOD CODES | | |
|--|-----------|------------|
| MOD CODE | LEFT HEAD | RIGHT HEAD |
| 1 | FRONT | FRONT |
| 2 | FRONT | REAR |
| 3 | FRONT | SIDE |
| 4 | REAR | FRONT |
| 5 | REAR | REAR |
| 6 | REAR | SIDE |
| 7 | SIDE | FRONT |
| 8 | SIDE | REAR |



X-ON Electronics

Largest Supplier of Electrical and Electronic Components

Click to view similar products for [Basic / Snap Action Switches](#) category:

Click to view products by [Honeywell](#) manufacturer:

Other Similar products are found below :

[5SM901-S12](#) [5SM9-S12N195](#) [01.098.1358.1](#) [602EN532](#) [602EN535-RB](#) [602HE5-RB1](#) [604HE162](#) [604HE223-6B](#) [624HE17-RB](#) [6HM82](#)
[6HM89](#) [6SE1](#) [6SX1-H58](#) [70500216](#) [70599106](#) [MBD5B1](#) [MBH2731](#) [73-316-0012](#) [EXD-AR20](#) [79211923](#) [79218589](#) [7AS12](#)
[MIL30126AB6BBMD4A12XAU](#) [ML-1155](#) [ML-1376](#) [831010C3.0](#) [831090C2.EL](#) [83131904](#) [84212012](#) [8AS239](#) [8HM73-3](#) [8SX26-H33](#)
[914CE1-6G](#) [PL-100](#) [11SM1077-H4](#) [11SM1077-H58](#) [11SM1-TN107](#) [11SM405](#) [11SM8423-H2](#) [11SX37-T](#) [11SX48-H58](#) [11SM2442-T](#)
[11SM76-T](#) [11SM77-H58](#) [11SM77-T](#) [11SM863-T](#) [11SM866](#) [A7CN-1M-1-LEFT](#) [A831700C7.0](#) [121EN187-R](#)