

# Honeywell

## Interactive Catalog Replaces Catalog Pages

Honeywell Sensing and Control has replaced the PDF product catalog with the new **Interactive Catalog**. The **Interactive Catalog** is a power search tool that makes it easier to find product information. It includes more installation, application, and technical information than ever before.



**Click this icon to try the new  
Interactive Catalog.**

---

**Sensing and Control**  
Honeywell Inc.  
11 West Spring Street  
Freeport, Illinois 61032

rating

- 1/2 or 3/4 inch conduit opening
- UL Listed
- CSA Certified
- Internal grounding screw



NEMA standards: 1, 3, 4, 7, 9, and 13. UL listed and CSA certified: Class I, Div. 1, Groups B, C and D. Class II, Div. 1, Groups E, F and G.

#### TYPICAL APPLICATIONS

- Petroleum Plants
- Chemical Plants
- Mining Conveyors

#### MAINTAINED (MANUAL RESET) OPERATING HEAD

Maintained CLSX Series Cable Pull Limit Switches are designed for use in emergency stop applications.

Maintained CLSX switches provide a means to manually force disconnection of a normally closed control circuit by pulling on an attached cable. The switch contacts remain actuated until the switch is reset by manually depressing the reset button located on the operating head. Contact transfer also occurs when the cable is slackened or broken.

#### SEALS

CLSX Switches are for use either indoors or outdoors in hazardous atmospheres as they are a completely sealed explosion-proof device.

Application proven HDLS head seals are retained to seal the top of the CLSX. The circular cover on the front is easily unscrewed to expose the switching elements for wiring or replacement. A screwdriver or bar used on the wrenching lugs extending from the front of the cover allows easy removal or tightening. An O-ring seal is located between the housing and cover.

The CLSX withstands pressure of an internal explosion and cools the exploding gases below the kindling temperature of the explosive atmosphere. Flame paths are provided by the cover-housing threads and an extended plunger between the switch cavity and head.

Safety Products

DC 13 U = 250 V: I = 0.27 A  
 U = 24 V: I = 2.8 A

UL/CSA	A600/Q300
<b>Mechanical</b>	
Protection Class	NEMA 1, 3, 4, 7, 9 and 13
Mechanical Life	10 <sup>5</sup> operations maximum
Temperature Range	-1° to 70°C (30° to 158°F)
Terminal Identification	Numbering to EN50013
Head/Housing Material	Zinc die cast

**EXAMPLE CATALOG LISTING**

Catalog Listing	Description
B4A-1	Blue Body/Black Head - 1/2" NTP Conduit Tap, 1NO - 1NC Direct Acting, Maintained, Head Assembled with Actuator to the Left

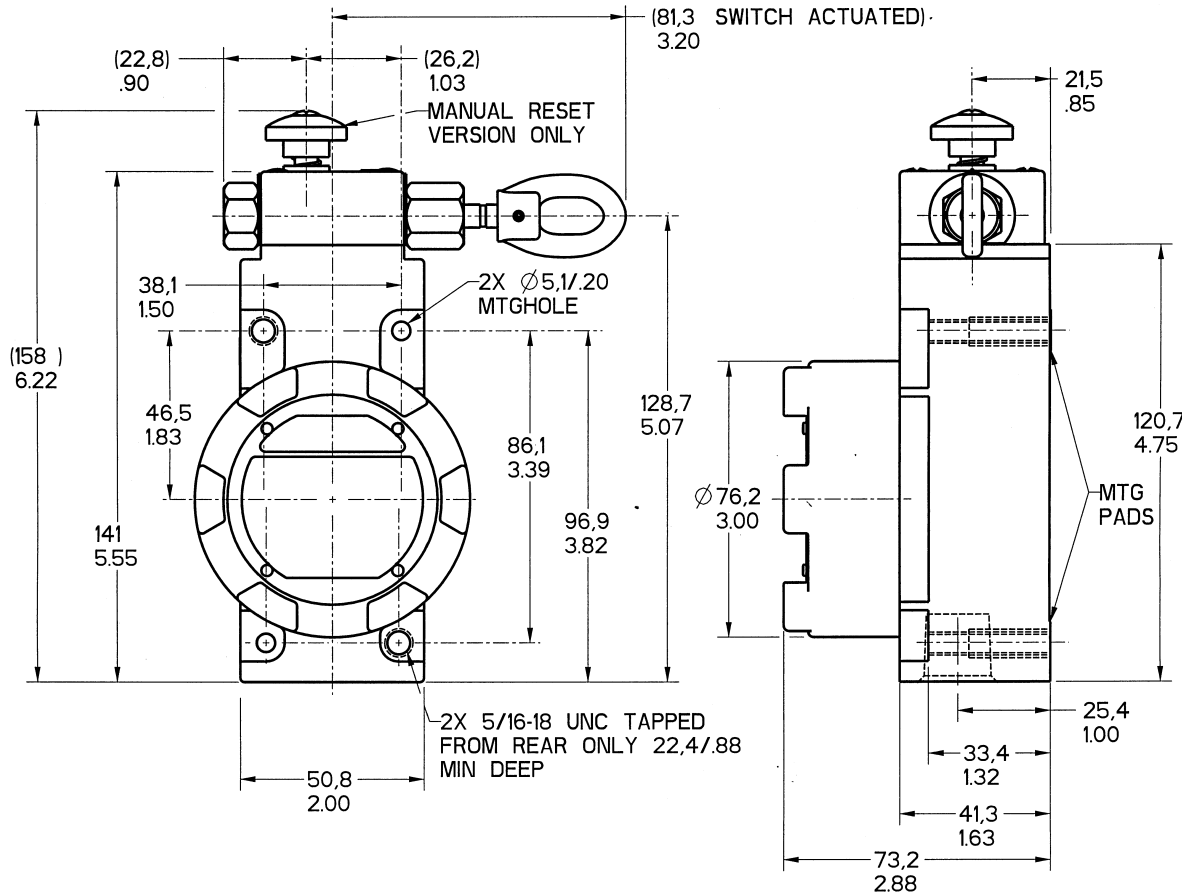
2 = Head assembled with actuator to the front  
 3 = Head assembled with actuator to the mounting surface

**HEAD CODE**  
 A = Maintained

**BASIC SWITCH CODE**  
 1 = 1NC direct acting  
 4 = 1NO - 1NC direct acting

**BODY CODE**  
 B = Blue body/black head - 1/2" NTP conduit tap  
 E = Blue body/black head - 3/4" NTP conduit tap

**MOUNTING DIMENSIONS (for reference only)**



## X-ON Electronics

Largest Supplier of Electrical and Electronic Components

*Click to view similar products for [Basic / Snap Action Switches](#) category:*

*Click to view products by [Honeywell](#) manufacturer:*

Other Similar products are found below :

[5SM901-S12](#) [5SM9-S12N195](#) [01.098.1358.1](#) [602EN532](#) [602EN535-RB](#) [602HE5-RB1](#) [604HE162](#) [604HE223-6B](#) [624HE17-RB](#) [6HM82](#)  
[6HM89](#) [6SE1](#) [6SX1-H58](#) [70500216](#) [70599106](#) [MBD5B1](#) [MBH2731](#) [73-316-0012](#) [EXD-AR20](#) [79211923](#) [79218589](#) [7AS12](#)  
[MIL30126AB6BBMD4A12XAU](#) [ML-1155](#) [ML-1376](#) [831010C3.0](#) [831090C2.EL](#) [83131904](#) [84212012](#) [8AS239](#) [8HM73-3](#) [8SX26-H33](#)  
[914CE1-6G](#) [PL-100](#) [11SM1077-H4](#) [11SM1077-H58](#) [11SM1-TN107](#) [11SM405](#) [11SM8423-H2](#) [11SX37-T](#) [11SX48-H58](#) [11SM2442-T](#)  
[11SM76-T](#) [11SM77-H58](#) [11SM77-T](#) [11SM863-T](#) [11SM866](#) [A7CN-1M-1-LEFT](#) [A831700C7.0](#) [121EN187-R](#)