



*Representative photograph, actual product appearance may vary.*

*Due to regional agency approval requirements, some products may not be available in your area. Please contact your regional Honeywell office regarding your product of choice.*

## CSLA2GD

**CSLA Series linear current sensor, 72 A sensed current, sink or source output, through-hole, operates on AC or DC current, side mount**

### Features

- Linear output
- AC or DC current sensing
- Through-hole design
- Fast response time
- Output voltage isolation from input
- Minimum energy dissipation
- Maximum current limited only by conductor size
- Adjustable performance and built-in temperature compensation assures reliable operation
- Accurate, low cost sensing
- Operating temperature range -25 °C to 85 °C
- Housing: PBT polyester

### Typical Applications

- Variable speed drives
- Overcurrent protection
- Ground fault detectors
- Current feedback control systems
- Robotics
- UPS and telecommunication power supplies
- Welding power supplies
- Automotive - Battery management systems
- Wattmeters

## Description

Honeywell CS series linear current sensors incorporate our 91SS12-2 and SS94A1 linear output Hall effect transducer (LOHET™). The sensing element is assembled in a printed circuit board mountable housing. This housing is available in four configurations. Normal mounting is with 0.375 inch long 4-40 screw and square nut (not provided) inserted in the housing or a 6-20 self-tapping screw. The combination of the sensor, flux collector, and housing comprises the holder assembly. These sensors are ratiometric.

# Honeywell

## CSLA2GD

**CSLA Series linear current sensor, 72 A sensed current, sink or source output, through-hole, operates on AC or DC current, side mount**

Product Specifications	
<b>Sensor Type</b>	Open Loop Linear
<b>Sensed Current Type</b>	ac or dc
<b>Sensed Current Range</b>	0 A to 72 A
<b>Package Style</b>	PCB Side Mount
<b>Output Type</b>	Voltage
<b>Sensitivity</b>	32.7 mV N* $\pm$ 3.0 @ 8 Vdc
<b>Supply Current</b>	20 mA max.
<b>Offset Voltage</b>	Vcc/2 $\pm$ 2 %
<b>Supply Voltage</b>	5.4 Vdc to 13.2 Vdc
<b>Offset Shift (%/ °C)</b>	$\pm$ 0.02
<b>Response Time</b>	8 $\mu$ s
<b>Operating Temperature Range</b>	-25 °C to 85 °C [-13 °F to 185 °F]
<b>Storage Temperature Range</b>	-40 °C to 100°C [-40 °F to 212 °F]
<b>Housing Material</b>	PBT Polyester
<b>Mounting</b>	PCB on 3 pins
<b>Pinout Style</b>	3 pin
<b>Availability</b>	Global
<b>Comment</b>	* N = Number of Turns

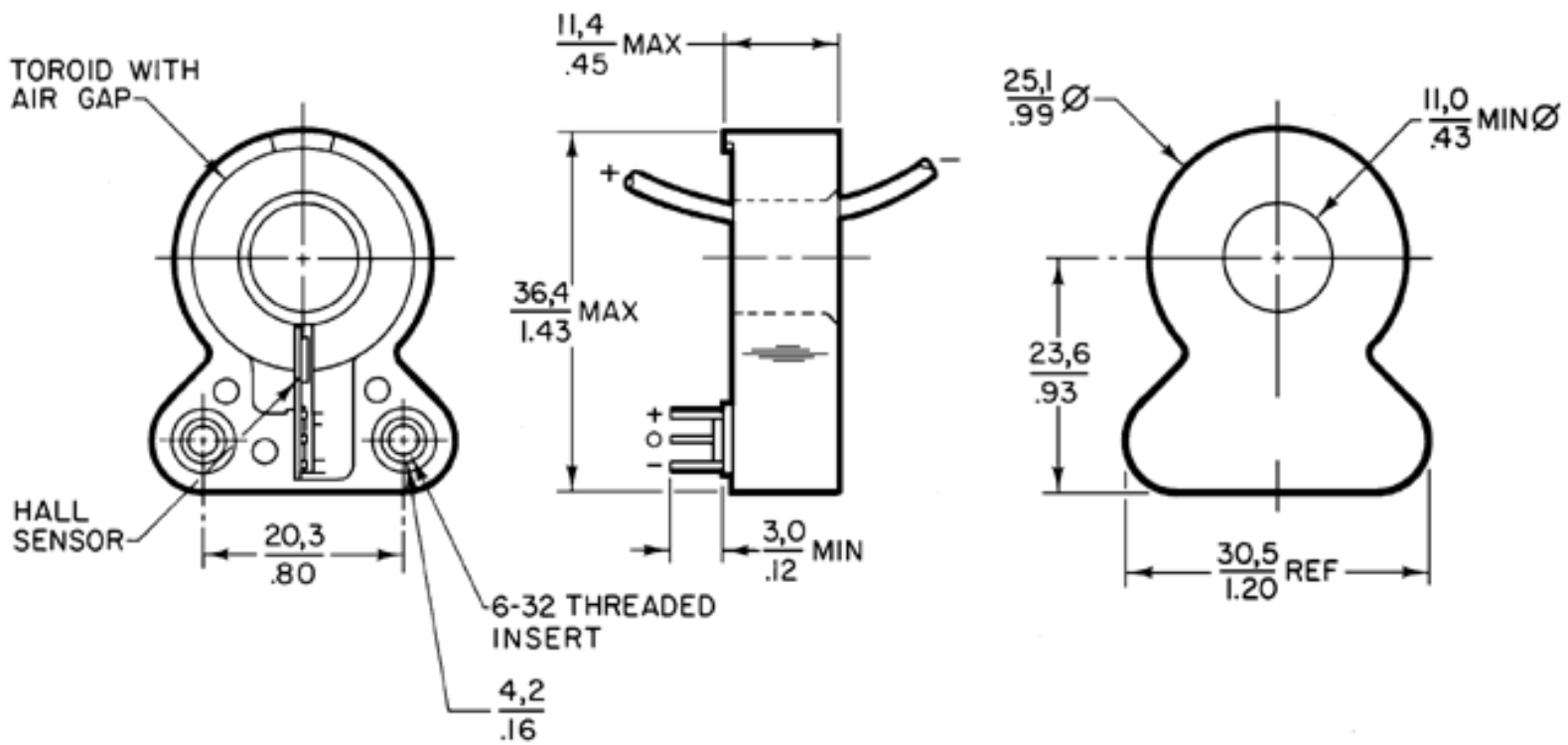
<b>UNSPSC Code</b>	411121
<b>UNSPSC Commodity</b>	411121 Transducers
<b>Series Name</b>	CSLA Series

**Honeywell**

**CSLA2GD**

**CSLA Series linear current sensor, 72 A sensed current, sink or source output, through-hole, operates on AC or DC current, side mount**

Mounting Dimensions - for reference only (mm/in)



**Honeywell**

**CSLA2GD**

**CSLA Series linear current sensor, 72 A sensed current, sink or source output, through-hole, operates on AC or DC current, side mount**

** WARNING**

**PERSONAL INJURY**

DO NOT USE these products as safety or emergency stop devices, or in any other application where failure of the product could result in personal injury.

**Failure to comply with these instructions could result in death or serious injury.**

** WARNING**

**MISUSE OF DOCUMENTATION**

- The information presented in this product sheet (or catalog) is for reference only. DO NOT USE this document as product installation information.
- Complete installation, operation and maintenance information is provided in the instructions supplied with each product.

**Failure to comply with these instructions could result in death or serious injury.**

## X-ON Electronics

Largest Supplier of Electrical and Electronic Components

*Click to view similar products for [Board Mount Current Sensors](#) category:*

*Click to view products by [Honeywell](#) manufacturer:*

Other Similar products are found below :

[CSDD1FR](#) [CSLA2ELI](#) [CSNP661-007](#) [SCL15 10006](#) [ACS723LLCTR-05AB-T](#) [L18P003S05](#) [T60404-B4658-X030](#) [LA02P021S03](#)  
[LA01M041S05](#) [LA03P054S05](#) [CSNE151-003](#) [L08P150D15IPV](#) [L18P050D15-OP](#) [SIC830AED-T1-GE3](#) [CT-05](#) [CT-07-100](#) [CT-07-50](#) [MR-1](#)  
[MR-1-P5](#) [T60404-N4646-X662](#) [T60404-N4646-X664](#) [DRV421RTJT](#) [CSNR161005](#) [T60404-N4646-X651](#) [MR-3](#) [MR-2](#) [MR-4](#) [CT-06-100](#)  
[CT-06-50](#) [T60404-N4646-X410](#) [T60404-N4646-X663](#) [CT-06-75](#) [CSDA1BA](#) [CSDA1BA-S](#) [CSDA1DA](#) [CSDC1DA](#) [CSDD1EC](#) [CSLA1DE](#)  
[CSLA1DG](#) [CSLA1DK](#) [CSLA1EL](#) [CSLA1GE](#) [CSLA1GF](#) [CSLA2CDI](#) [CSLA2DE](#) [CSLA2DG](#) [CSLA2DH](#) [CSLA2DJ](#) [CSLA2DJI](#) [CSLA2EL](#)