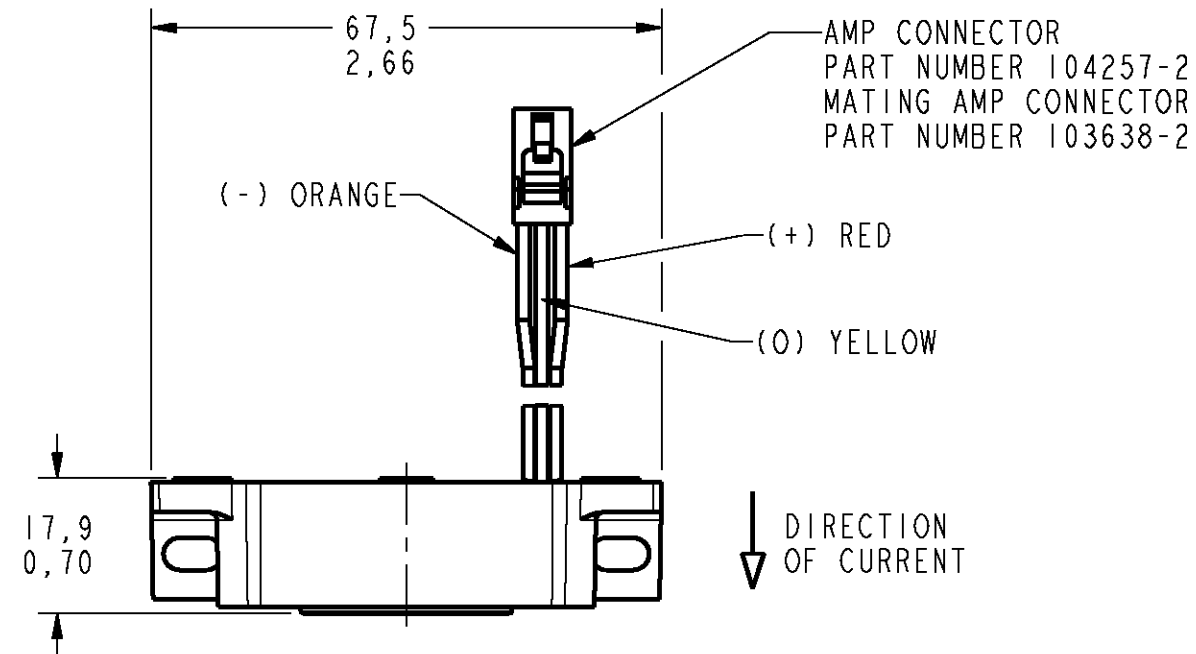


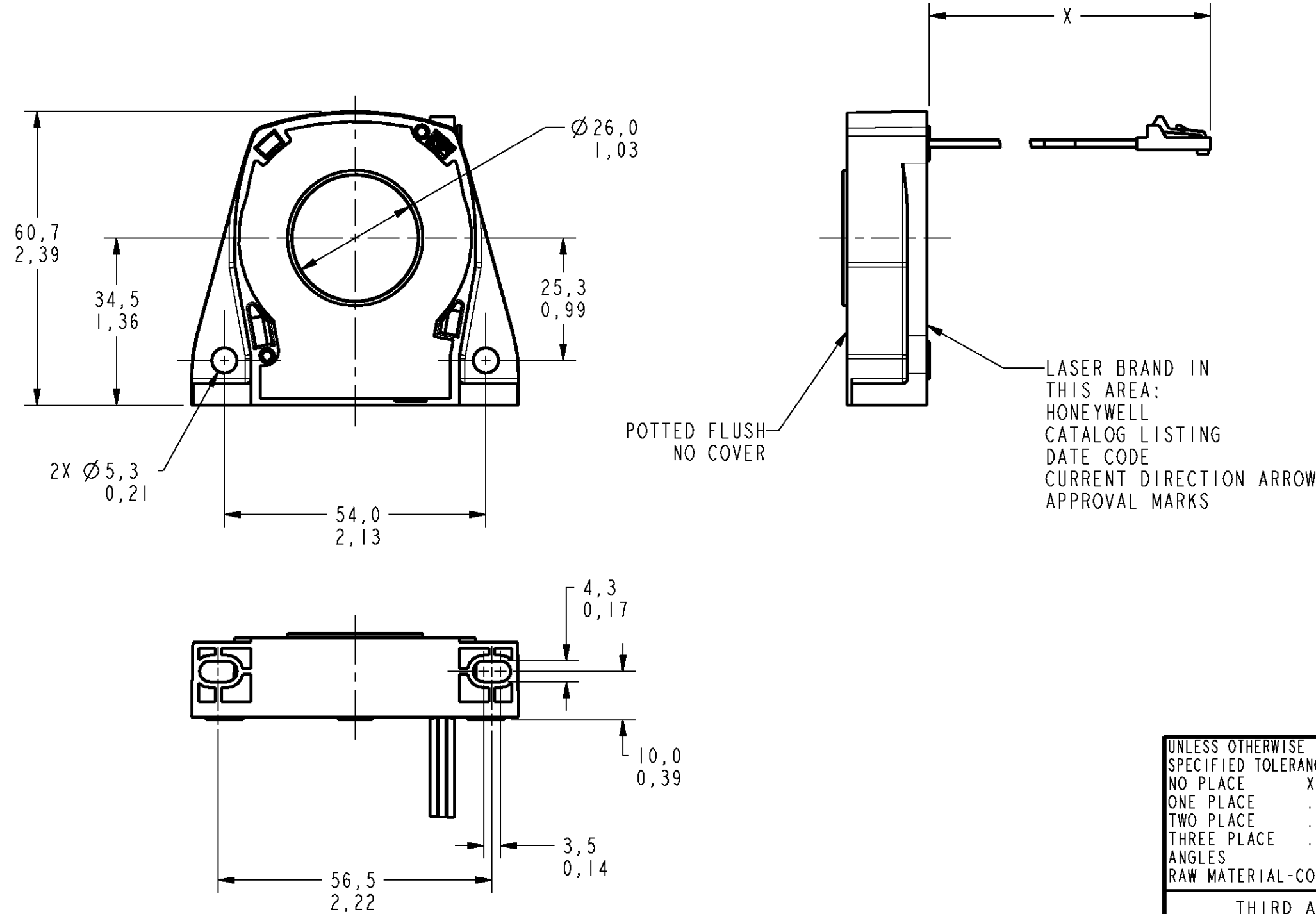
CHARACTERISTICS

REV	DOCUMENT	CHANGED BY	CHECK
1			SAV

CATALOG LISTING	ISSUE NUMBER	OPERATING TEMPERATURE	SUPPLY	HOUSING MATERIAL	SENSING RANGE		OUTPUT NOMINAL	MAXIMUM COIL RESISTANCE AT 70°C	NUMBER OF TURNS	PRIMARY CONNECTION	X DIMENSION	SECONDARY CONNECTION
					NOMINAL	MAXIMUM						
CSNS300F-001	1	-40°C TO +85°C	±15V	GLASS FILLED PBT	300A	600A	150mA	34Ω	2000±1	THRU HOLE	330m / 13in	AMP CONNECTOR ON FLYING LEADS
CSNS300F-002	1				150m / 6in	AMP CONNECTOR ON FLYING LEADS						



NOTES
1 - THIS PART IS COVERED BY EXTERNAL PRODUCT APPROVAL(S).
NO DESIGN CHANGES WITHOUT AGREEMENT OF APPROVALS ENGINEERING



UNLESS OTHERWISE SPECIFIED TOLERANCES ARE:		<input type="checkbox"/> US (inch) CUSTOMARY	<input checked="" type="checkbox"/> SI (mm) METRIC	DRAWN	TMM	9OCT02	Honeywell			
NO PLACE	X	±.040	±1	CHECK	SAV	9OCT02				
ONE PLACE	.X	±.030	±0,4	THIS DRAWING COVERS A PROPRIETARY ITEM AND IS THE PROPERTY OF HONEYWELL. THIS DRAWING IS NOT TO BE COPIED OR USED WITHOUT THE PERMISSION OF HONEYWELL.			TITLE			
TWO PLACE	.XX	±.015	±0,15				300A NULL BALANCE, CURRENT SENSOR			
THREE PLACE	.XXX	±.005	±				SIZE	DWG TYPE	DRAWING NAME	REV
ANGLES		±	±				C	I	MTG-CSN-325	1
RAW MATERIAL-COMMERCIAL STANDARD				DIMENSIONS ARE TO BE MET BEFORE PROTECTIVE COATINGS ARE APPLIED			SHEET 1 OF 1			
THIRD ANGLE PROJECTION				3D PTC	ASME Y14.5M-1994	SCALE	NONE	WEIGHT		

X-ON Electronics

Largest Supplier of Electrical and Electronic Components

Click to view similar products for [Industrial Current Sensors](#) category:

Click to view products by [Honeywell](#) manufacturer:

Other Similar products are found below :

[CSNS181](#) [CSNS300M-001](#) [5SHT-151-E](#) [7SHT-301-E](#) [SAO-Q1N](#) [SAO-Q2N](#) [CSCA0075A000U12J01](#) [SAO-S1N](#) [L34S1T5D15T](#) [BB-](#)
[JC36S500-V](#) [BB-JC24S250-V](#) [CSNS300M-500](#) [LA200-P](#) [ACS724LLCTR-10AB-T](#) [LPMG12](#) [DCSA50](#) [ECS40BC](#) [A-CS010B](#) [A-CS050B](#)
[A-CS100B](#) [A-CS200B](#) [ACS758LCB-100B-PFF-T](#) [ACS712ELCTR-20A-T](#) [CS010GT12](#) [CS030EK1](#) [CS050B](#) [CS050BT12](#) [CS100B](#) [CS200B](#)
[CS200BKT5](#) [CS200BT24](#) [CS300B](#) [CS400B](#) [CS600B](#) [CSM006NPT3.3](#) [CSM010PST5](#) [CSM010SYA](#) [CSM015NPT5](#) [CSM015SY](#)
[CSM025AY](#) [CSM050LA/50mA](#) [CSM100AP/1:2000](#) [CSM100LA/50mA](#) [DS050LTA](#) [CC6903SO-30A](#) [CC6903SO-20A](#) [CC6904SO-20A](#)
[20310200101](#) [20310200102](#) [20310500101](#)