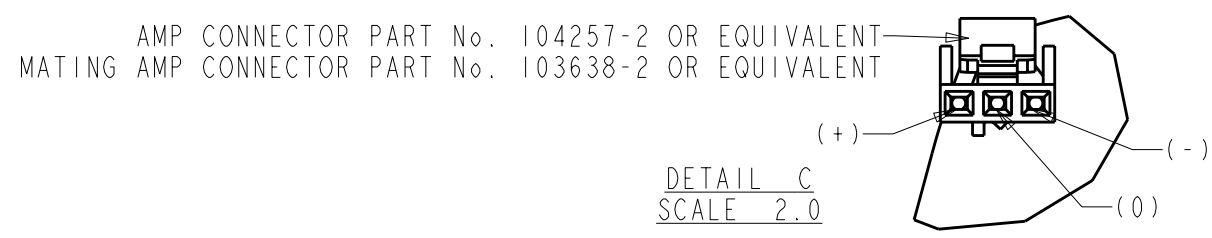
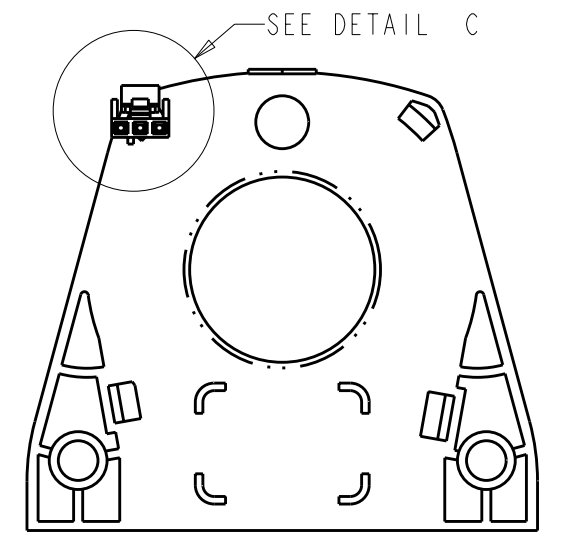
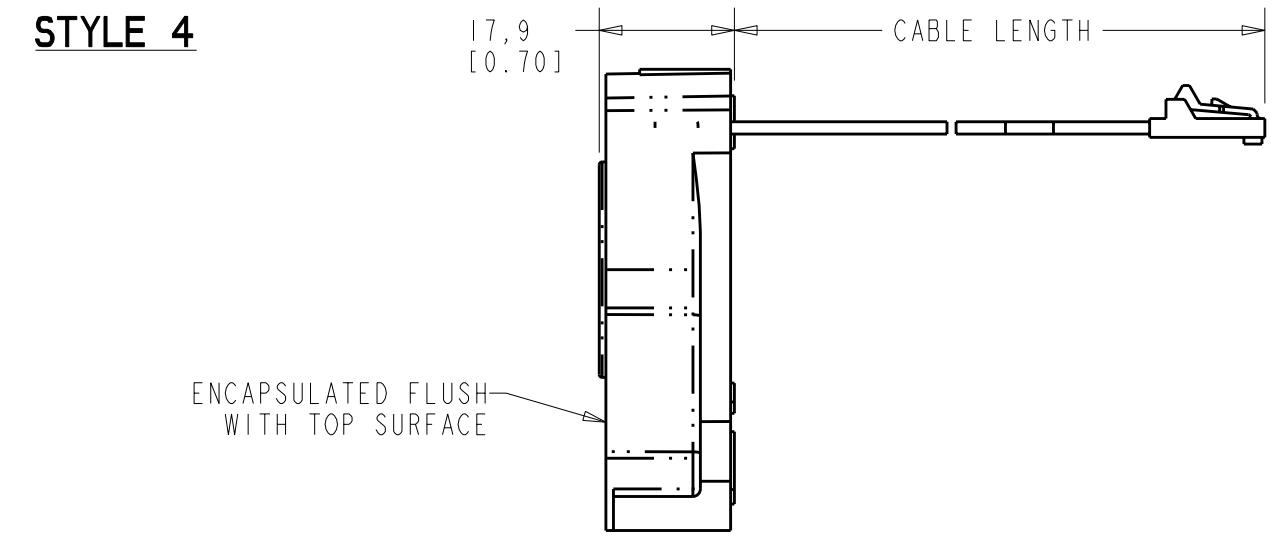
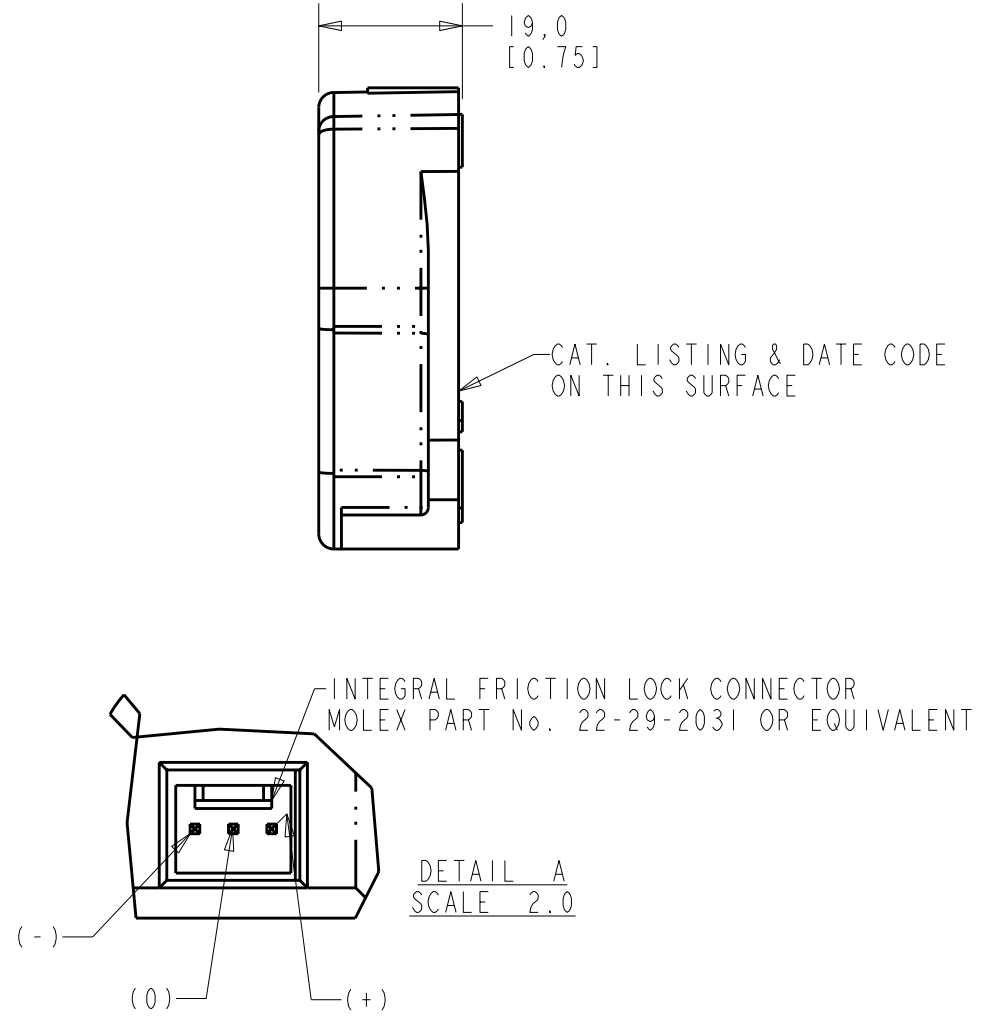
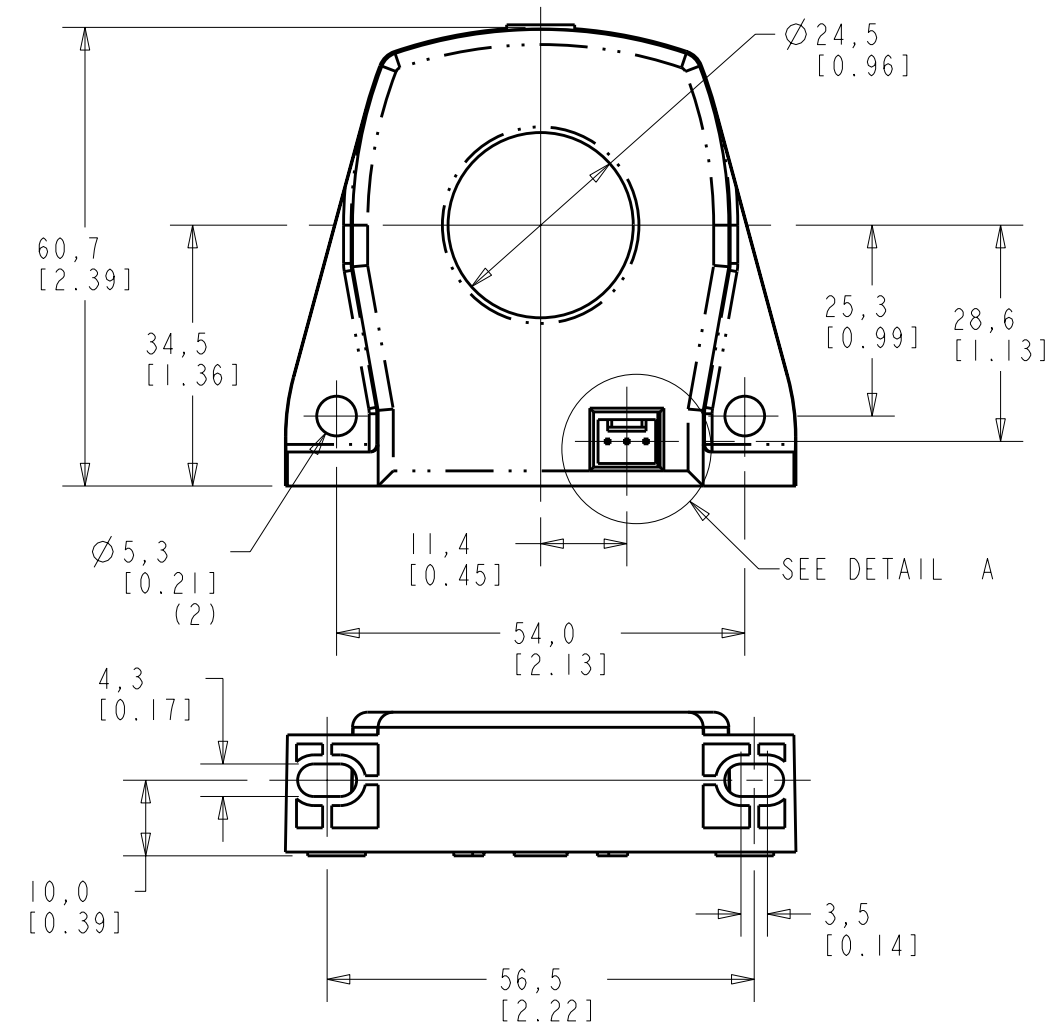
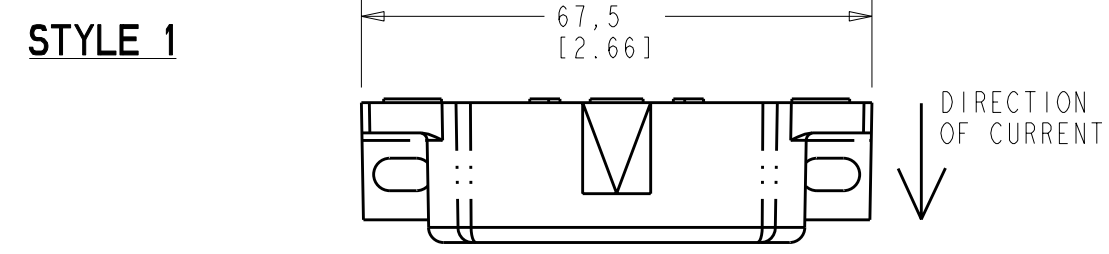
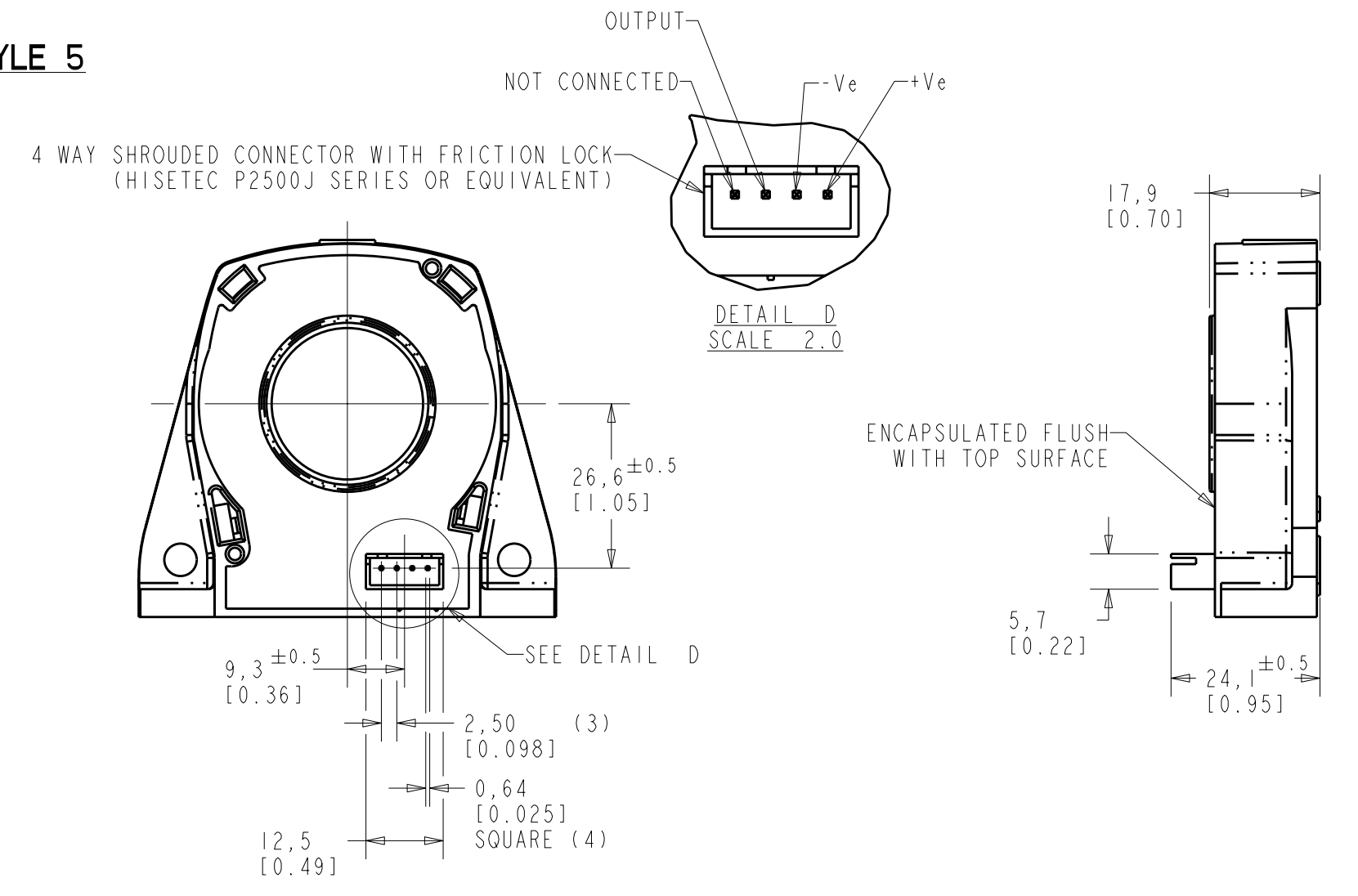


CATALOGUE LISTING	ISSUE	STYLE	SUPPLY VOLTAGE	SENSING RANGE			OUTPUT NOMINAL	MAXIMUM COIL RESISTANCE AT 70°C	No. OF TURNS	SECONDARY CONNECTION	CABLE LENGTH
				NOMINAL	MAXIMUM DC	MAX AC Pk					
CSNS300M	1	1	±12V TO ±15V	300A	600A	600A	150mA	34Ω	2000	INTEGRAL CONNECTOR	200 ±5 (7.9 ±0.1)
CSNS300P	1	2								PCB MOUNTING PINS	
CSNS300F	1	3								CONNECTOR ON RIBBON CABLE	
CSNS300F-001	2	4									
CSNS300F-002	2	4	64 (2.5)								
CSNS300M-001	1	5	±18V					31Ω		INTEGRAL CONNECTOR	
CSNS300M-500	1	1								825A	

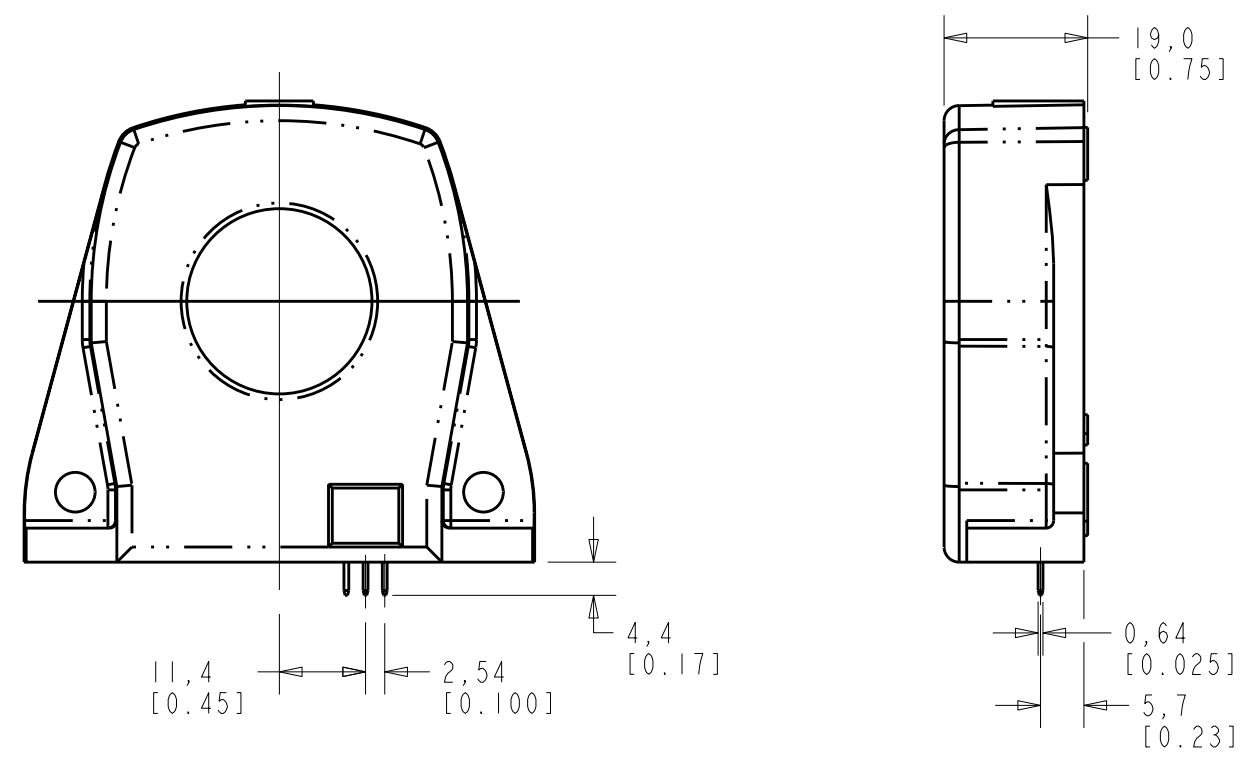
NOTES:-  
 1. HOUSING MATERIAL IS GLASS FILLED PBT.  
 2. OPERATING TEMPERATURE : -40°C TO +85°C.  
 3. PRIMARY CONNECTION : THROUGH HOLE.



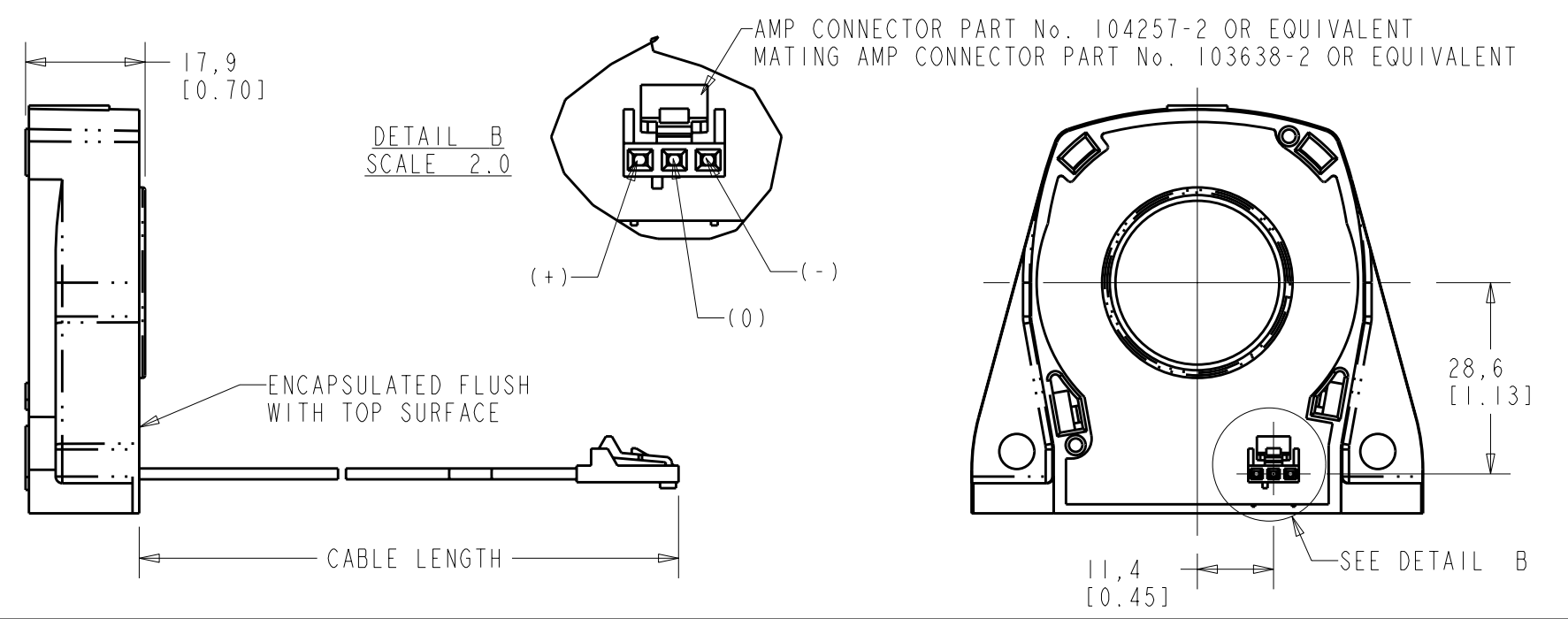
**STYLE 5**



**STYLE 2**



**STYLE 3**



DIMENSIONS ARE IN MILLIMETRES [INCHES]		FOR EXPLANATION OF DIMENSIONS, TOLERANCES, NOTES ETC. SEE B.S. 308		THIRD ANGLE PROJECTION	THE COPYRIGHT OF THIS DRAWING IS THE PROPERTY OF HONEYWELL LTD. THE DRAWING IS SUPPLIED IN CONFIDENCE AND MUST NOT BE USED FOR ANY PURPOSE OTHER THAN THAT FOR WHICH IT IS SUPPLIED	
MODIFY ON PRO-ENGINEER SYSTEM ONLY						
DRAWN		TITLE <b>300A NULL BALANCE CURRENT SENSOR</b>			SHT 1 OF 1	
DRAFTING CHECK					DRAWING NUMBER	
DESIGN CHECK					<b>MTG-CSN-320</b>	
AUTHORISATION		TOLERANCES UNLESS OTHERWISE STATED			SCALE 1/1	
		±0.2		<b>Honeywell</b>	DO NOT SCALE PRINT	
DIMENSIONS SPECIFIED ARE TO BE MET BEFORE PROTECTIVE COATINGS ARE APPLIED					A2 FORMAT	
					ISSUE <b>4</b>	

## X-ON Electronics

Largest Supplier of Electrical and Electronic Components

*Click to view similar products for [Industrial Current Sensors](#) category:*

*Click to view products by [Honeywell](#) manufacturer:*

Other Similar products are found below :

[CSNS181](#) [CSNS300M-001](#) [5SHT-151-E](#) [7SHT-301-E](#) [SAO-Q1N](#) [SAO-Q2N](#) [CSCA0075A000U12J01](#) [SAO-S1N](#) [L34S1T5D15T](#) [BB-](#)  
[JC36S500-V](#) [BB-JC24S250-V](#) [CSNS300M-500](#) [LA200-P](#) [ACS724LLCTR-10AB-T](#) [LPMG12](#) [DCSA50](#) [ECS40BC](#) [A-CS010B](#) [A-CS050B](#)  
[A-CS100B](#) [A-CS200B](#) [ACS758LCB-100B-PFF-T](#) [ACS712ELCTR-20A-T](#) [CS010GT12](#) [CS030EK1](#) [CS050B](#) [CS050BT12](#) [CS100B](#) [CS200B](#)  
[CS200BKT5](#) [CS200BT24](#) [CS300B](#) [CS400B](#) [CS600B](#) [CSM006NPT3.3](#) [CSM010PST5](#) [CSM010SYA](#) [CSM015NPT5](#) [CSM015SY](#)  
[CSM025AY](#) [CSM050LA/50mA](#) [CSM100AP/1:2000](#) [CSM100LA/50mA](#) [DS050LTA](#) [CC6903SO-30A](#) [CC6903SO-20A](#) [CC6904SO-20A](#)  
[20310200101](#) [20310200102](#) [20310500101](#)