

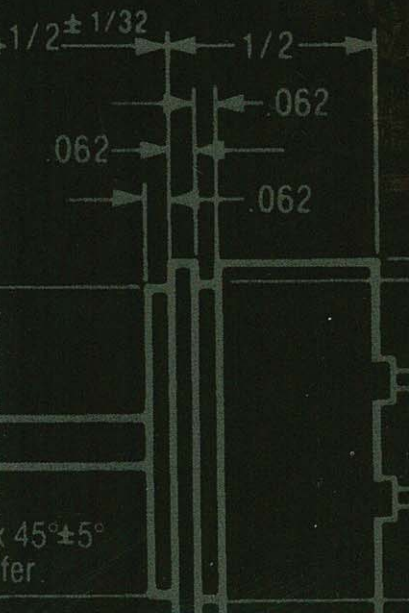
Standard Precision MKV Potentiometers

Honeywell

Position Measurement Sensor
F78S, F78C, F78B, F78E



SPACE AGE SENSORS FOR DOWN TO EARTH NEEDS



FEATURES

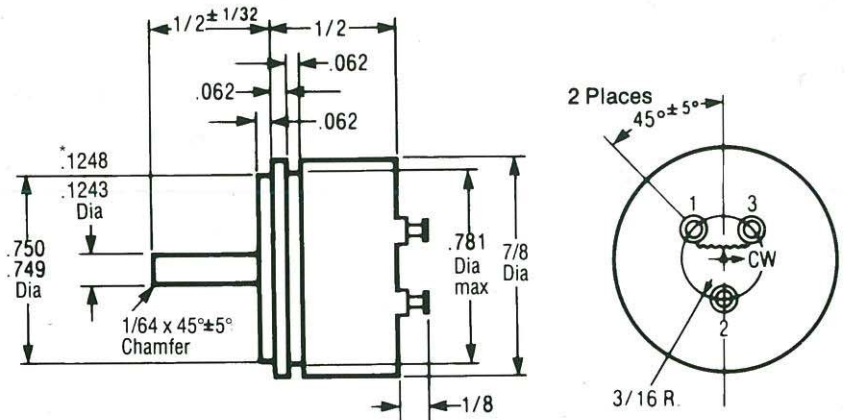
- NEI's conductive plastic RESISTOFILM®
- Precious metal contacts
- Stainless steel shafts
- Molded housings
- Solderable terminals
- Anodized aluminum mounting plates
- Stainless steel ball bearings (F78S only)

OPTIONS

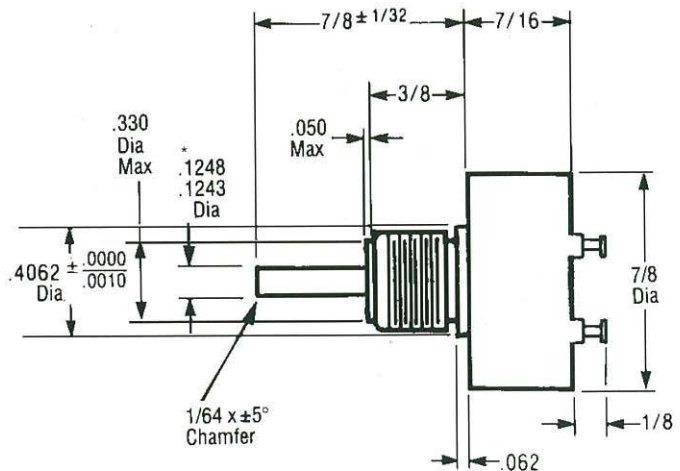
(CONTACT FACTORY)

- Shaft extension up to 2"
- Shaft flat, slot
- Electrical angle
- Low torque (F78S) down to 0.2 oz-in min
- High torque (F78B, F78E) up to 6 oz-in max
- Resistance tolerance to $\pm 5.0\%$
- Anti-rotation pin (F78B, F78E)

SERVO MOUNT MODELS-MKV



BUSHING MOUNT MODELS-MKV



Unless otherwise specified:

Decimal dimensions ± 0.005
Fractional dimensions $\pm 1/64$

*0.2498/0.2493 Diameter shaft available in MKV (except F78E)


TYPE NUMBER
F78S
F78C
F78B
F78E
Electrical Parameters

Independent Linearity-Standard	± 1.0%, ± 0.5% ± 0.25%	± 1.0%, ± 0.5%, ± 0.25%	± 1.0, ± 0.5%, ± 0.25%	± 1.0, ± 0.5%, ± 0.25%
Total Resistance (ohms) (Including Specials)	500 to 200K	500 to 200K	500 to 200K	500 to 200K
Resistance Tolerance - Standard	± 10%	± 10%	± 10%	± 10%
Theoretical Electrical Travel	340	340	340	340
Power Rating @70°C (watts)	1.0	1.0	1.0	1.0
Output Smoothness per MIL-R-39023	0.5%, 0.25%, 0.15%	0.5%, 0.25%, 0.15%	0.5%, 0.25%, 0.15%	0.5%, 0.25%, 0.15%
End Voltage (max) (% of total applied voltage)	1.0%	1.0%	1.0%	1.0%
D c Withstanding Voltage (RMS)	750	750	750	750
Insulation Resistance (min)	1000 megohms	1000 megohms	1000 megohms	1000 megohms
Resolution (virtually infinite)	yes	yes	yes	yes

Mechanical Parameters

Mechanical Travel	360°	360°	360°	360°
Mounting Type	servo	servo	bushing	bushing
Bearing Type	ball	sleeve	sleeve	sleeve
Mounting Thread	n/a	n/a	3/8-32 NEF	1/4-32 NEF
Stop Strength (nominal)	n/a	n/a	n/a	n/a
Weight (max)	16 grams	16 grams	16 grams	16 grams
Life Expectancy (cycles)	20,000,000	10,000,000	10,000,000	10,000,000
Torque (oz-in max)	0.5	1.0	1.0	1.0
End Play (max)	0.005	0.005	0.005	0.005
Shaft Diameter (inches)	1/8 or 1/4	1/8 or 1/4	1/8 or 1/4	1/8

Environmental Data

Shock	per MIL-STD-202	per MIL-STD-202	per MIL-STD-202	per MIL-STD-202
Vibration	per MIL-STD-202	per MIL-STD-202	per MIL-STD-202	per MIL-STD-202
Temperature Range (operational)	-65°C to + 125°C	0°C to + 125°C	0°C to + 125°C	0°C to + 125°C
Temperature Range (storage)	-65°C to + 125°C	-65°C to + 125°C	-65°C to + 125°C	-65°C to + 125°C

Standard Precision MKV Potentiometers

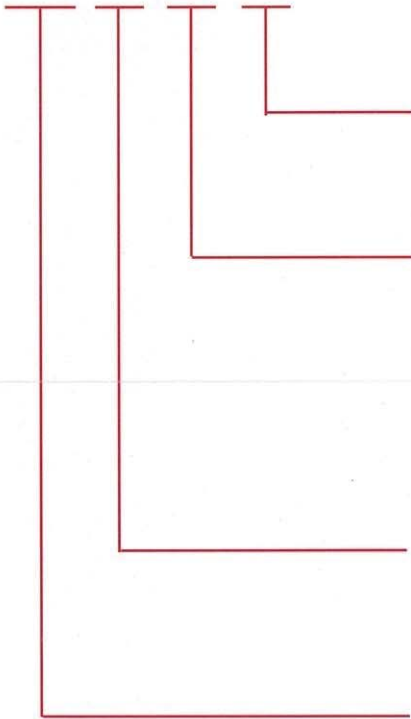
F78S, F78C, F78B, F78E

ORDERING INFORMATION

(F78S, F78C, F78B, F78E)

Example:

F78S A 103



Shaft Diameter
• Blank-1/8" MKV
• B1-1/4" MKV,
except F78E

Standard Resistances
500 = 501
1,000 = 102
2,000 = 202
5,000 = 502
10,000 = 103
20,000 = 203
50,000 = 503
100,000 = 104

Linearity
A = $\pm 1.0\%$
B = $\pm 0.5\%$
C = $\pm 0.25\%$

Type Number

X-ON Electronics

Largest Supplier of Electrical and Electronic Components

Click to view similar products for [Precision Potentiometers](#) category:

Click to view products by [Honeywell](#) manufacturer:

Other Similar products are found below :

[578002M9648](#) [70J1G032S202A](#) [176FL1-284](#) [F78SB102-M257](#) [3548H-1AA-103B](#) [485025M9267](#) [MH12B-10L-10K](#) [578005M9656](#)
[72N4N048S203W](#) [RO200SF1C103](#) [114BF2A102-L774](#) [200FL1-199](#) [78FL1-397](#) [78MKV-128](#) [501-0004](#) [501-0018](#) [SE15303-352-T4](#)
[284TCBF103A26A1](#) [RO34SF1B502](#) [200FL1-260](#) [4205R10KL.5](#) [3548H-1AB-502A](#) [157-0237](#) [1521R10KL.3](#) [284TBBK103A26B1](#) [SP22G-](#)
[500](#) [DC22-10-100](#) [JC22S 1K 0.5%](#) [RCL-200](#) [380C2750K](#) [380C2500K](#) [3590P-1-103L](#) [3547S-1AA-202A](#) [534B1250JC](#) [3543S-1-202L](#)
[3545S-1-202L](#) [3543S-1-102L](#) [3543S-1-502L](#) [3545S-1-103L](#) [3549S-2AA-102/102A](#) [P3265](#) [P3270](#) [P3275](#) [P3280](#) [P3285](#) [P3290](#) [AR200KL.25](#)
[6637S-1-102](#) [RV6NAYSD101AP](#) [SP22E-3011-10K](#)