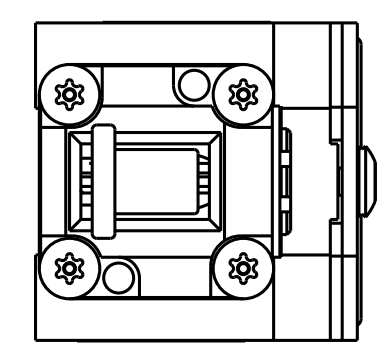
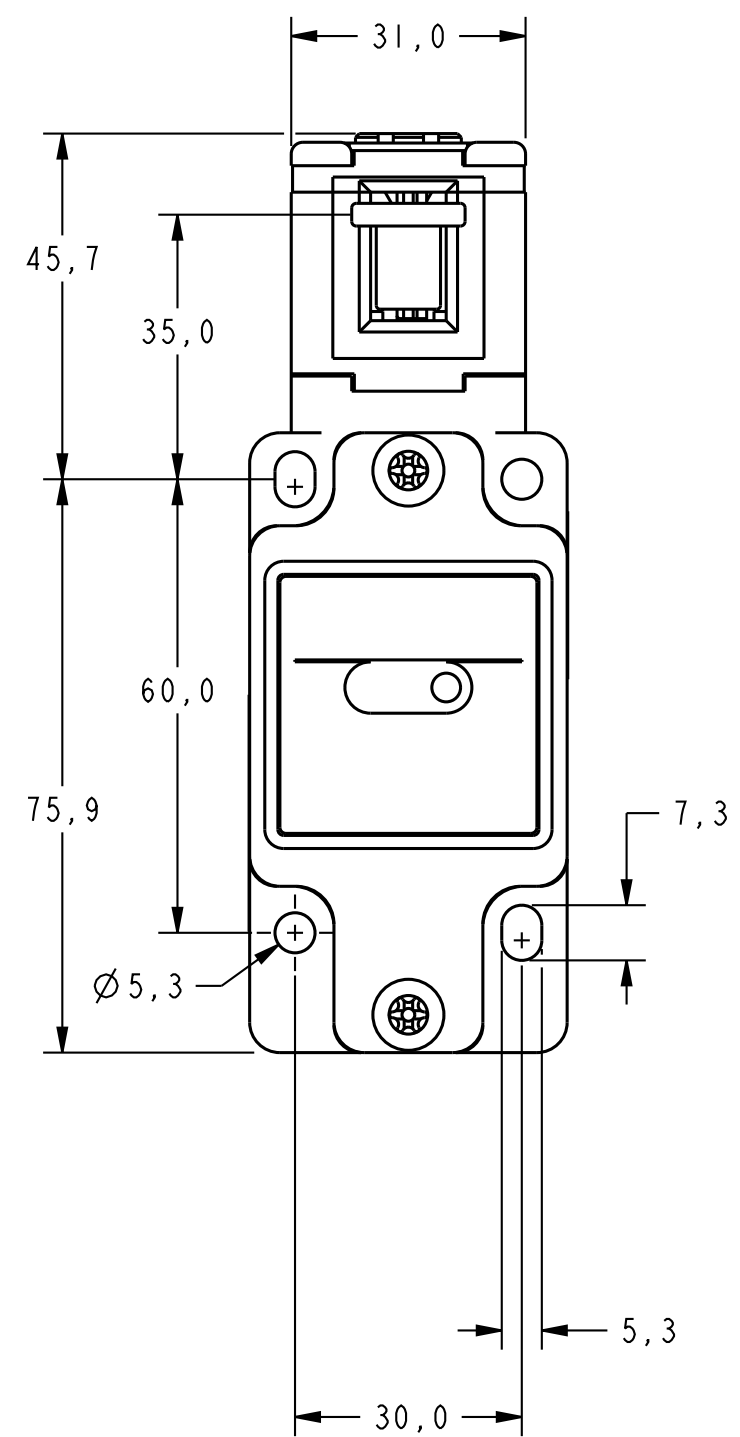
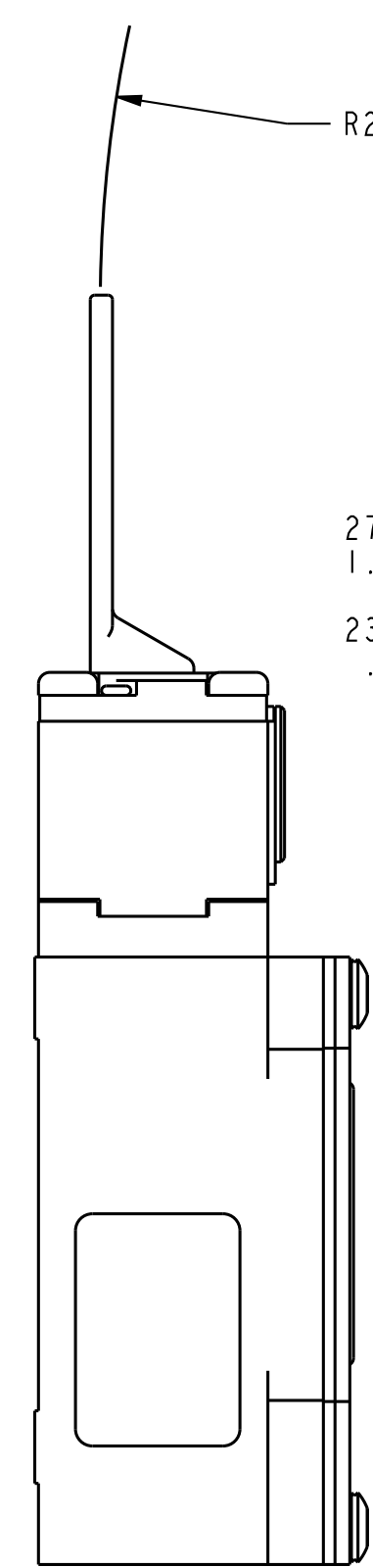


FRONT ENTRY



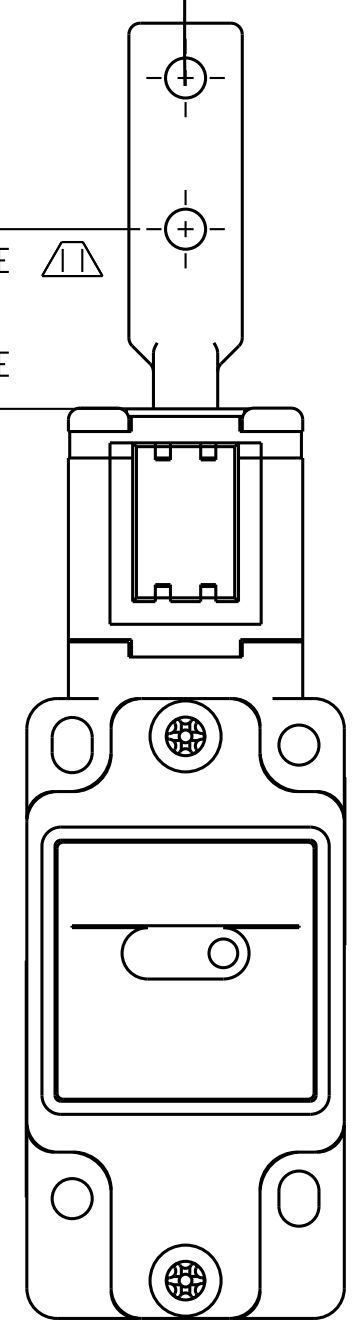
R400,00 MIN DOOR RADIUS



R250,00 MIN DOOR RADIUS

27,45 MIN INSERTION DISTANCE
1.080

23,55 MAX INSERTION DISTANCE
.927



TOP ENTRY

P.T.C./CAD 30
 DRAWN 28 AUG 98
 MAM
 CHECK 28 MAY 10
 PRS
 K 0065737
 LK 07 JAN 09
 H 0025008
 G 0000385
 F 207576
 E 207211
 D 207003
 C 206976
 B 206443
 A 10 NOV 11
 CMH
 CHECK 21 SEP 06
 DVM
 12 MAY 99
 JAF
 REPLACES
 RELEASE NO. PR-23758
 PAGE 2 OF 8
 GK SERIES CHART 3
 DRAWING NUMBER
 ISSUE 32

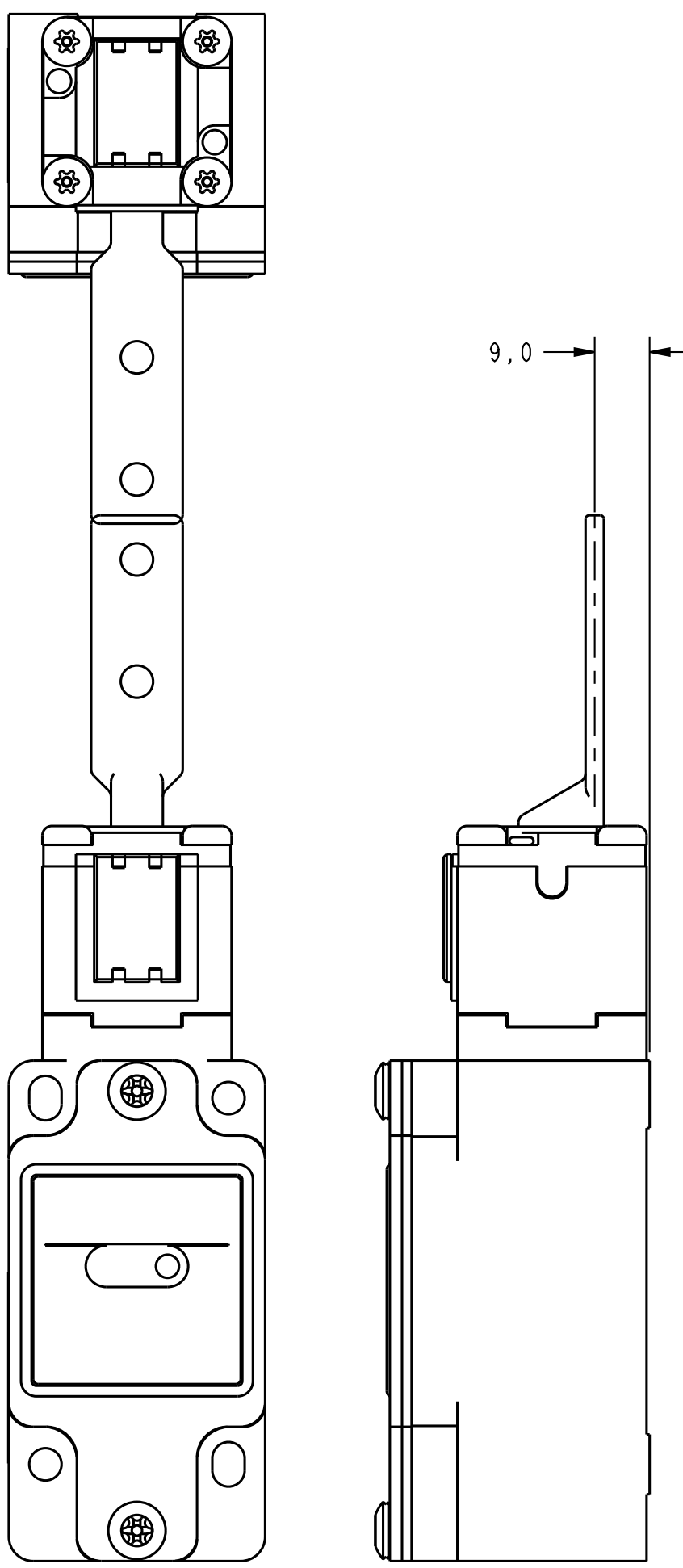
THIS DRAWING COVERS A PROPRIETARY ITEM AND IS THE PROPERTY OF MICRO SWITCH, A DIVISION OF HONEYWELL. THIS DRAWING IS NOT TO BE COPIED OR USED WITHOUT THE APPROVAL OF MICRO SWITCH.

MICRO SWITCH
a Honeywell Division

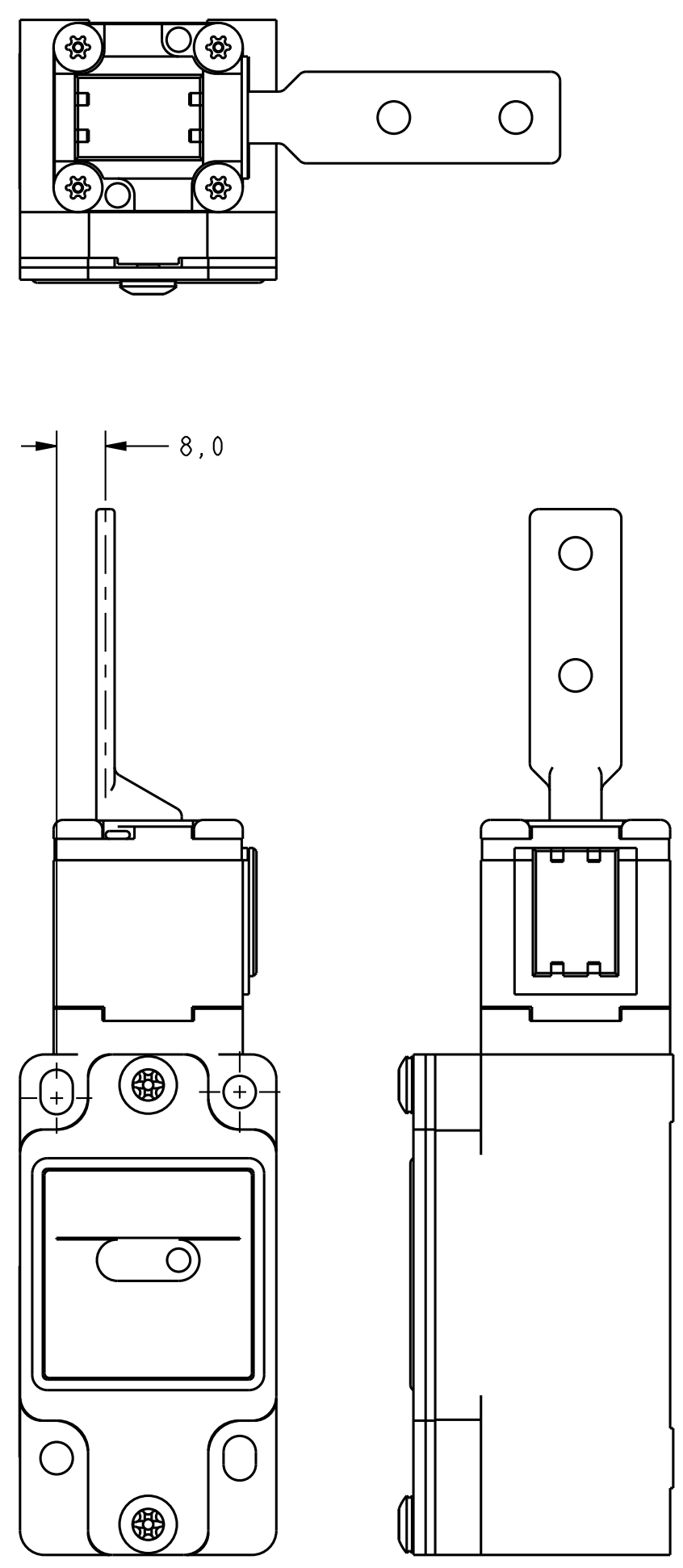
SWITCH - LIMIT

CATALOG LISTING
GK SERIES CHART 3

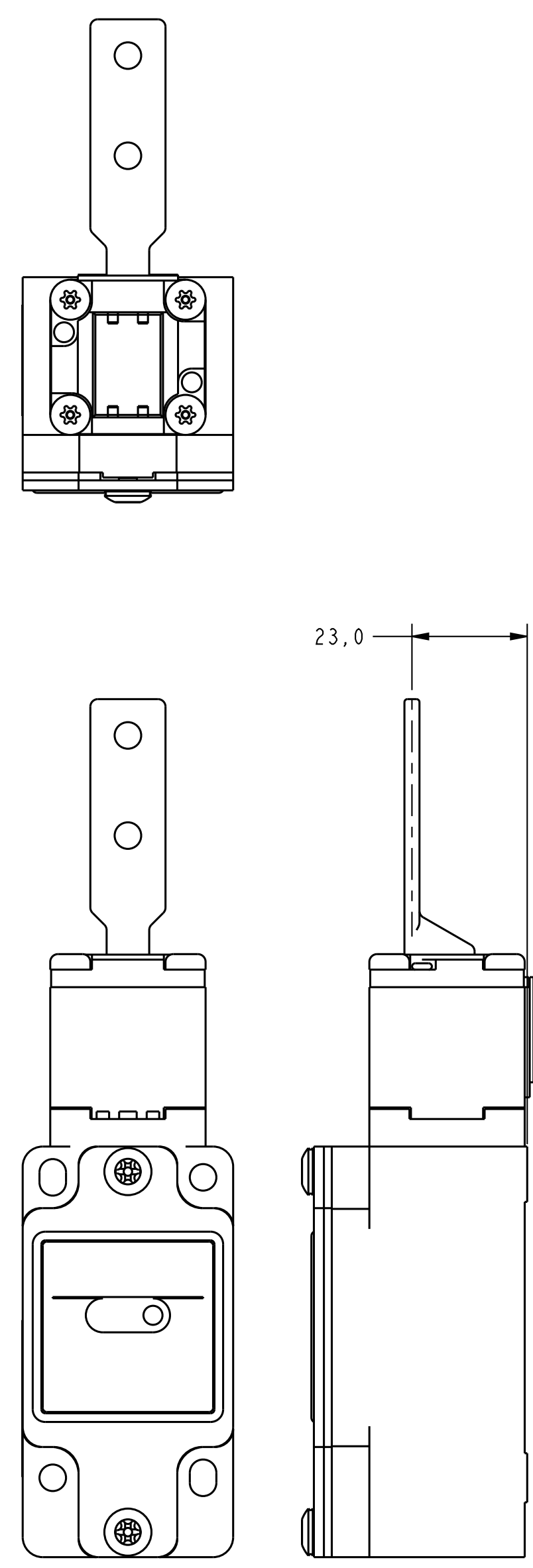
THIRD ANGLE PROJECTION		
SCALE FULL		
DO NOT SCALE PRINT		
UNLESS OTHERWISE SPECIFIED TOLERANCES ARE		
ONE PLACE	(.0)	± .030
TWO PLACES	(.00)	± .015
THREE PLACES	(.000)	± .005
ANGLES		±
WEIGHT APPROX .5 KG / 1LB		



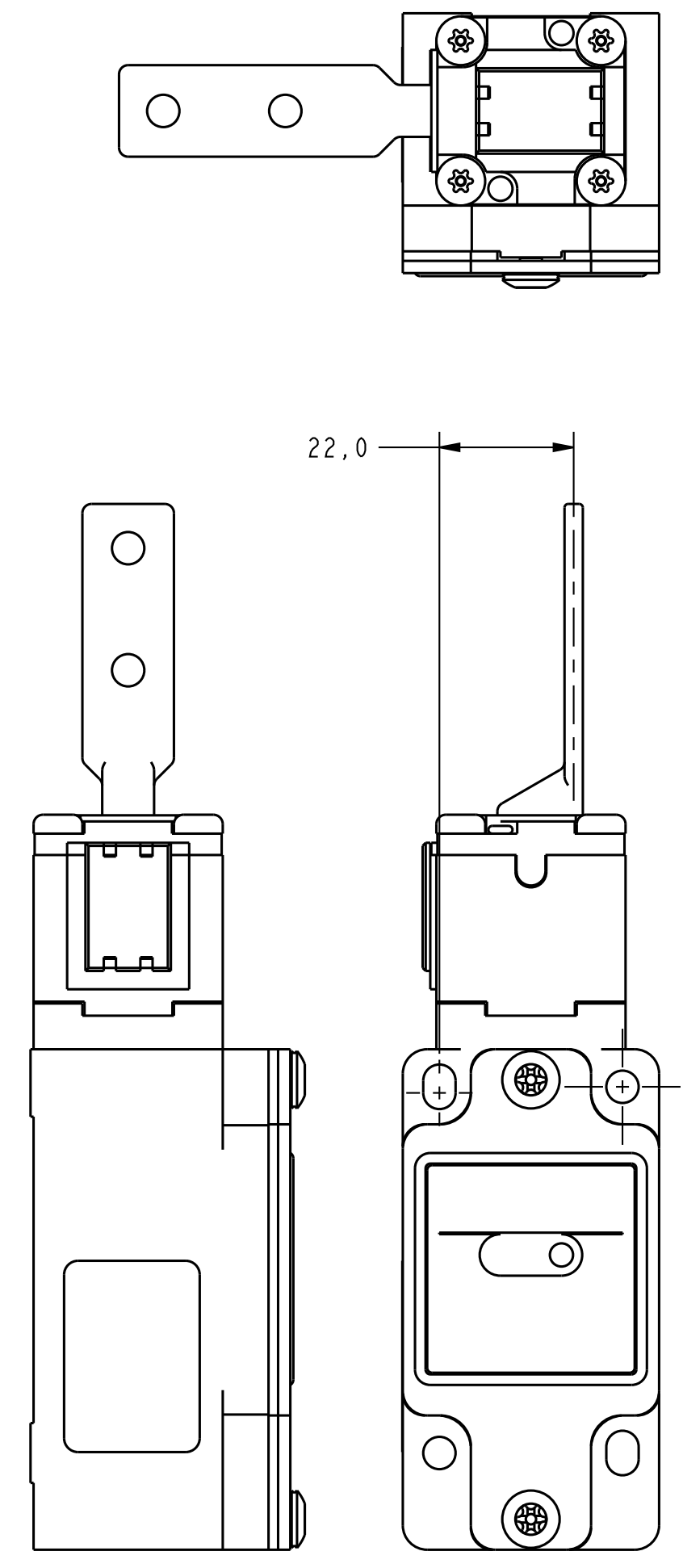
HEAD CODE L



HEAD CODE M



HEAD CODE N



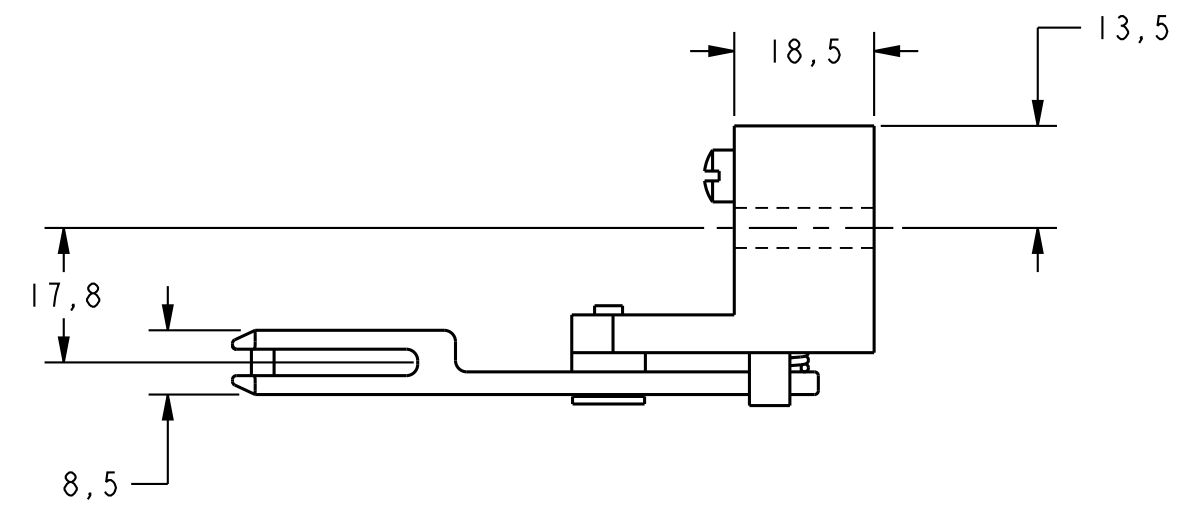
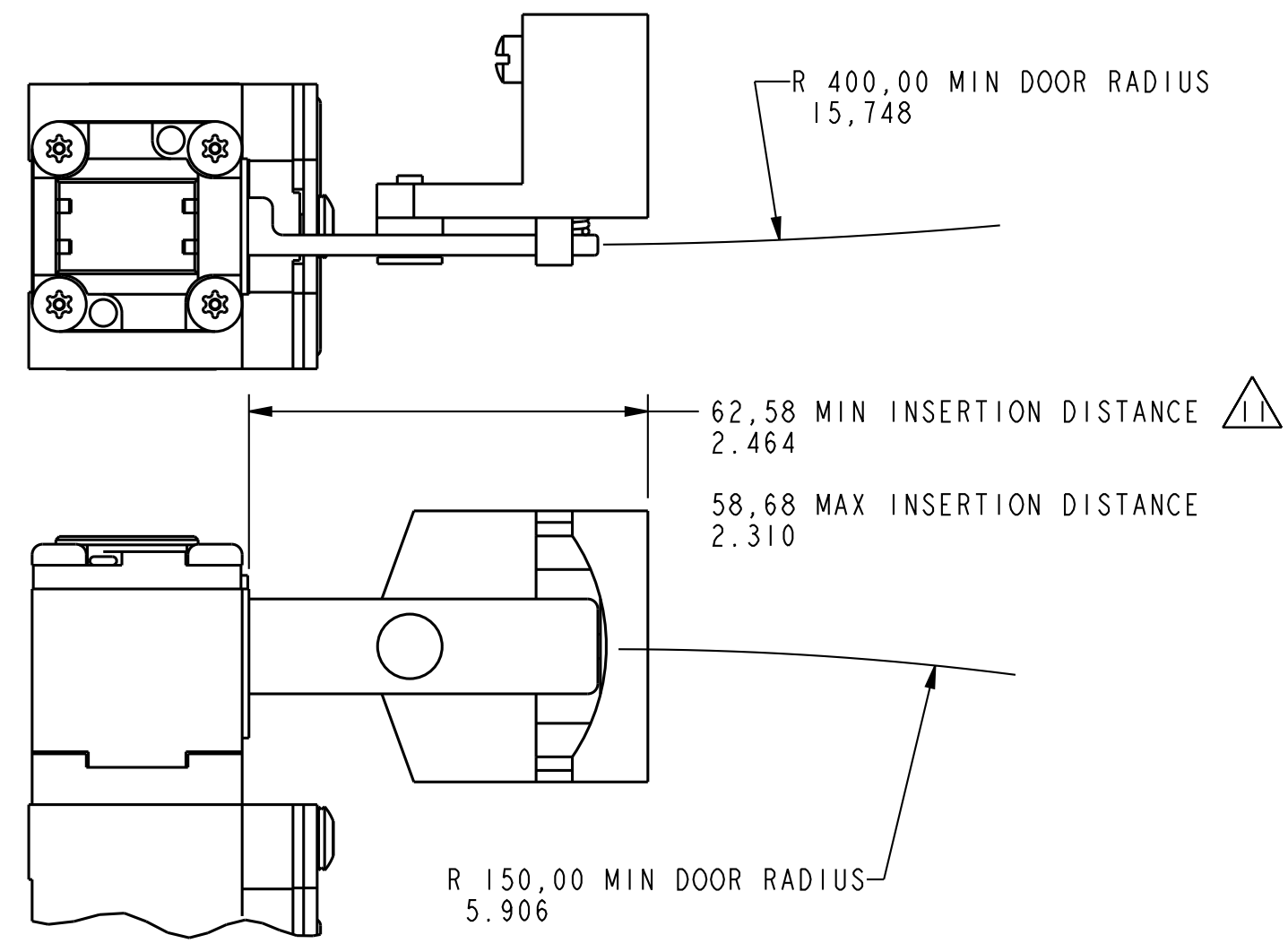
HEAD CODE P

P.T.C./CAD 30
 DRAWN MAM 31 AUG 98
 CHECK JAF 28 MAY 10
 ISSUE 32
 DRAWING NUMBER 3 OF 8
 RELEASE NO. PR-23758
 REPLACES 10NOV11
 CMH
 CHECK DVM 21SEP06
 CHECK 12MAY99
 REVISIONS:
 L 0083578
 B 206443
 C 206976
 D 207003
 E 207211
 F 207576
 G 0000385
 H 0025008
 J 0047425
 K 0065737
 07JAN09
 21SEP06
 2JUN03
 13SEP02
 27NOV02
 40DEC02
 15JAN03
 5MAR03
 28MAY10

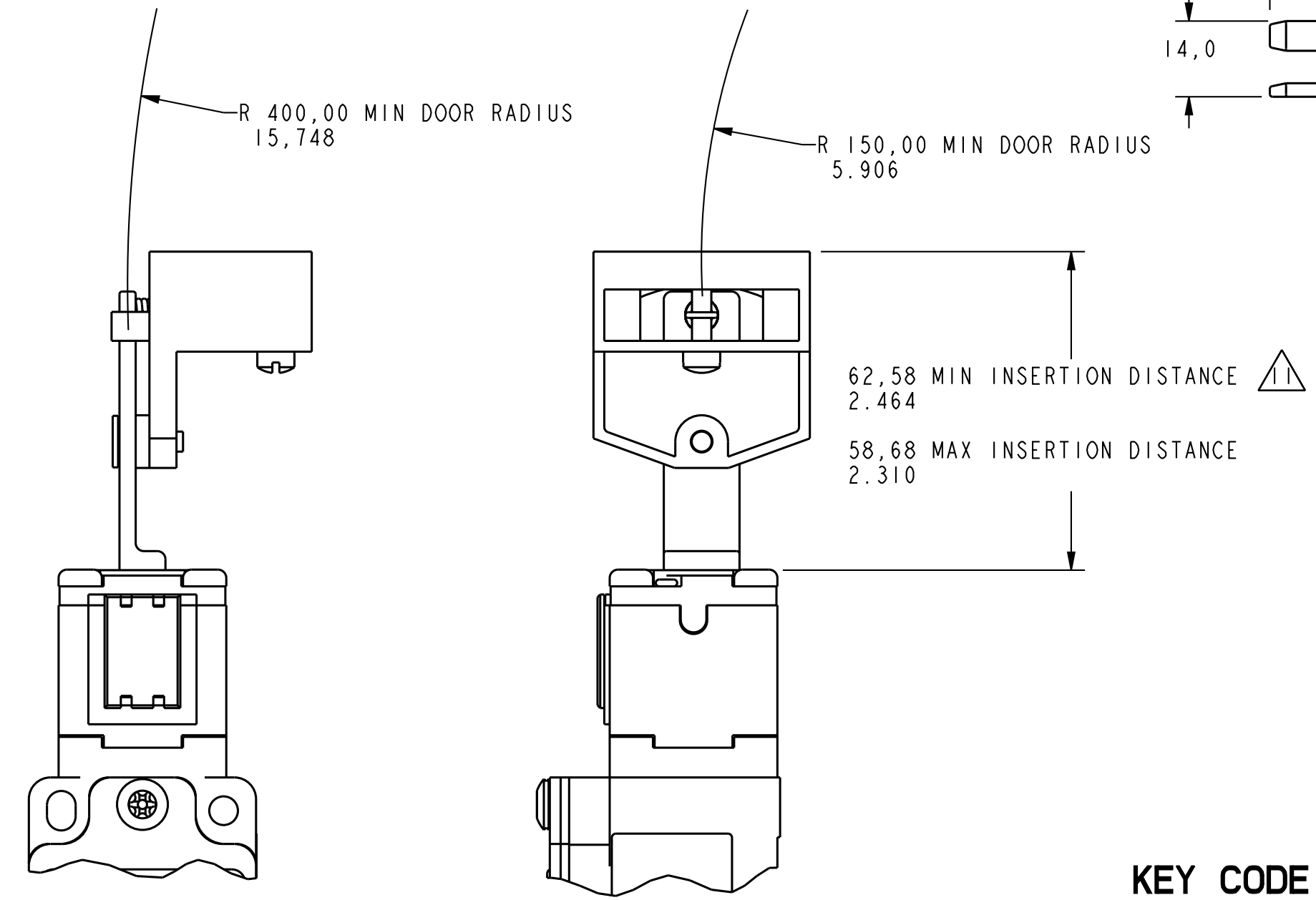
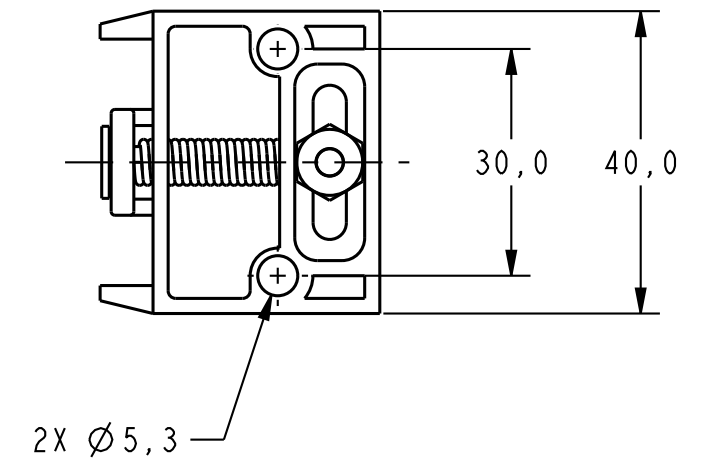
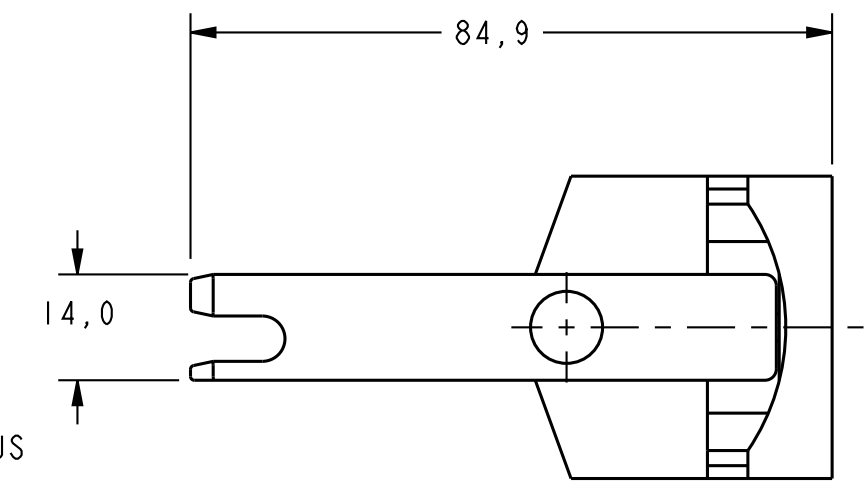
THIS DRAWING COVERS A PROPRIETARY ITEM AND IS THE PROPERTY OF MICRO SWITCH, A DIVISION OF HONEYWELL. THIS DRAWING IS NOT TO BE COPIED OR USED WITHOUT THE APPROVAL OF MICRO SWITCH.

MICRO SWITCH a Honeywell Division <small>FED. MFG. CODE 91929</small>	SWITCH - LIMIT	CATALOG LISTING GK SERIES CHART 3
--	-----------------------	---

THIRD ANGLE PROJECTION	
SCALE FULL	
DO NOT SCALE PRINT	
UNLESS OTHERWISE SPECIFIED TOLERANCES ARE	
ONE PLACE	(.0) ± .030
TWO PLACES	(.00) ± .015
THREE PLACES	(.000) ± .005
ANGLES	±
WEIGHT APPROX .5 HG / 1 LB	



FRONT ENTRY



KEY CODE 8

TOP ENTRY

ANSI Y14.5M-1982 APPLIES

THIS DRAWING COVERS A PROPRIETARY ITEM AND IS THE PROPERTY OF MICRO SWITCH, A DIVISION OF HONEYWELL. THIS DRAWING IS NOT TO BE COPIED OR USED WITHOUT THE APPROVAL OF MICRO SWITCH.

MICRO SWITCH
a Honeywell Division

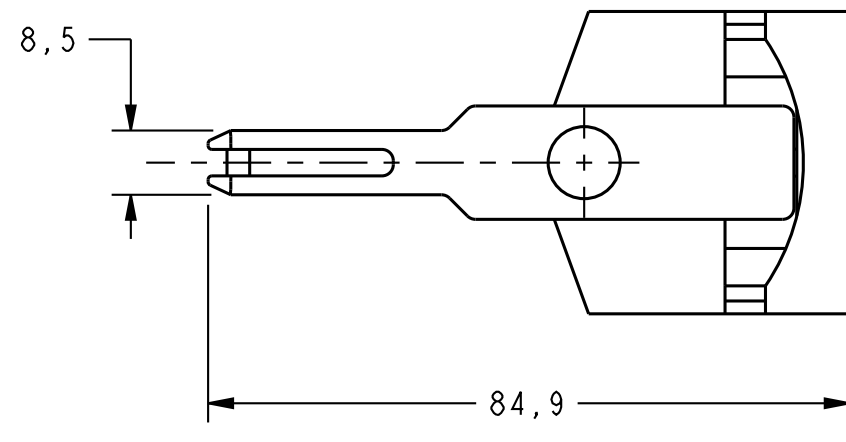
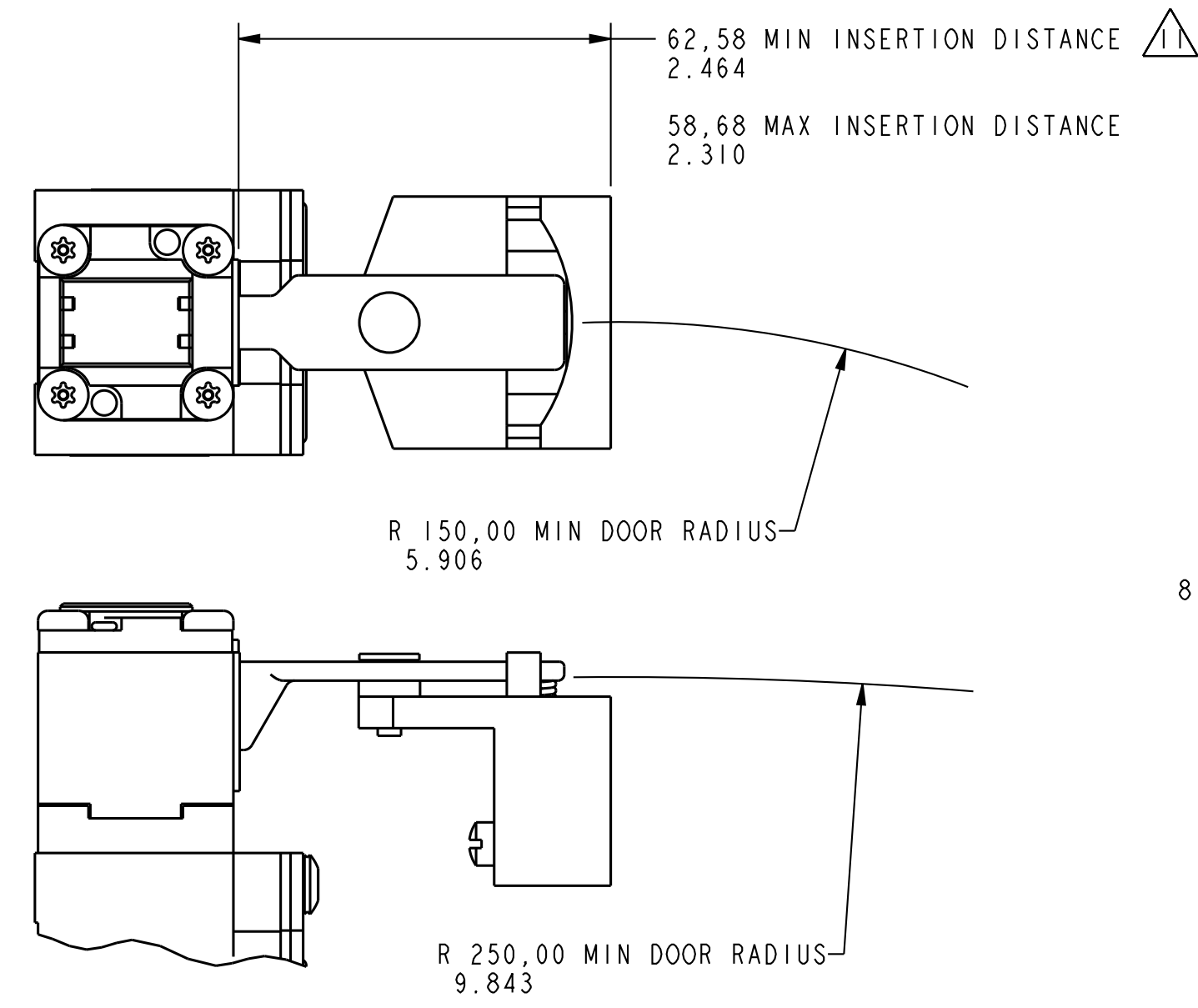
SWITCH - LIMIT

CATALOG LISTING
GK SERIES CHART 3

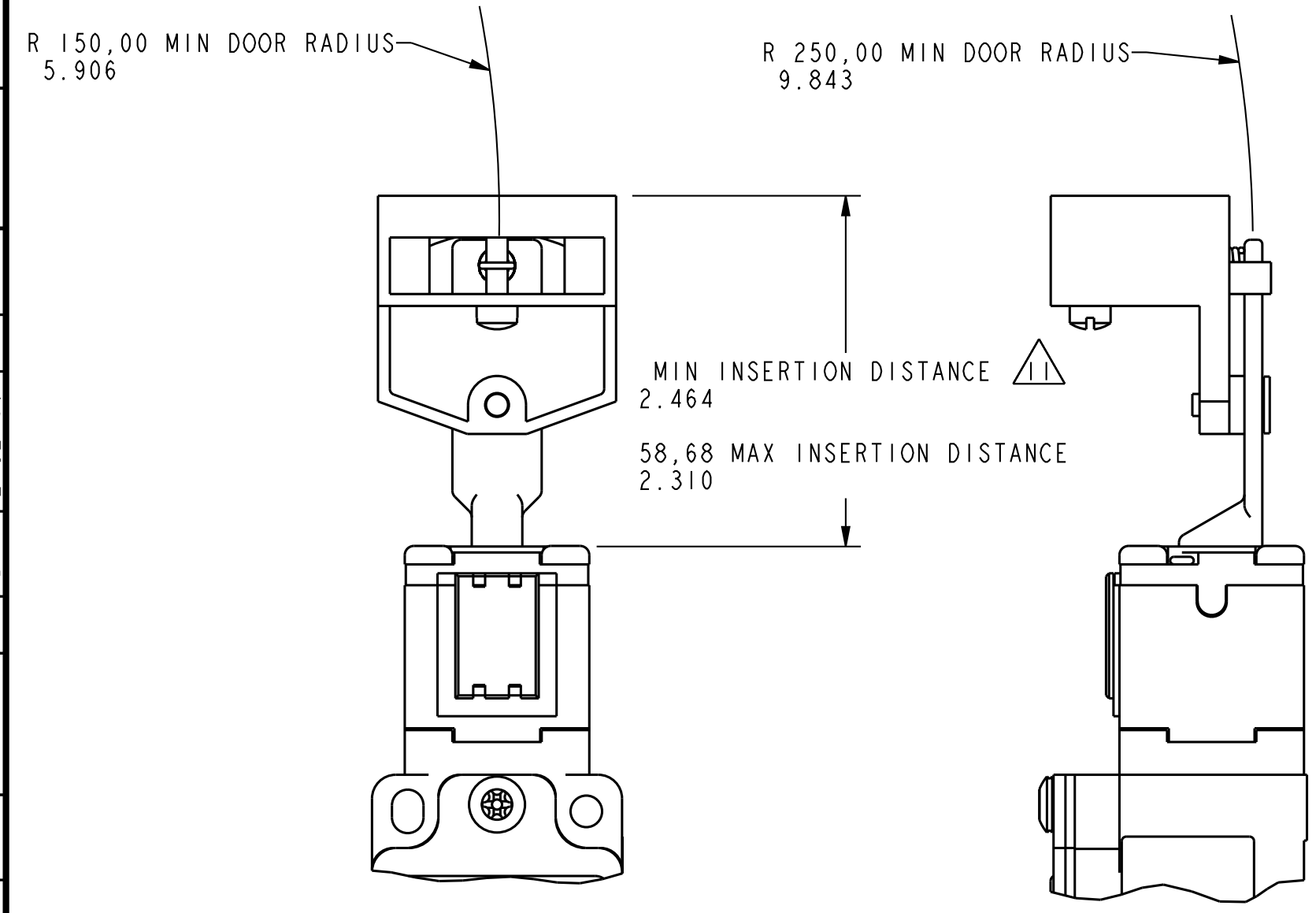
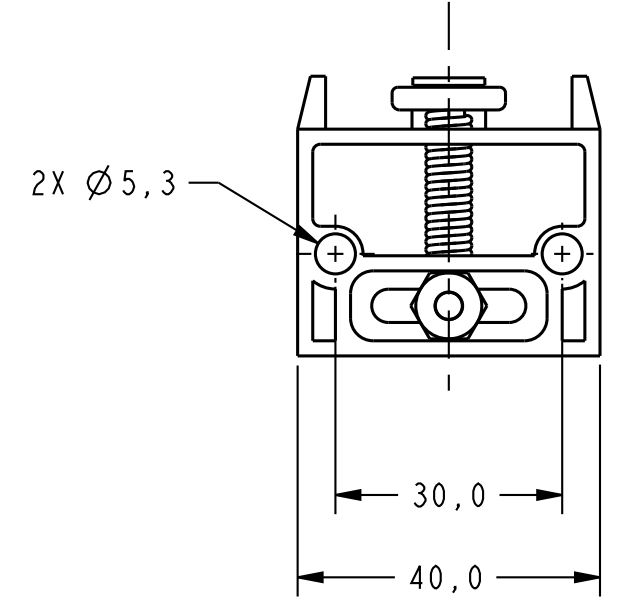
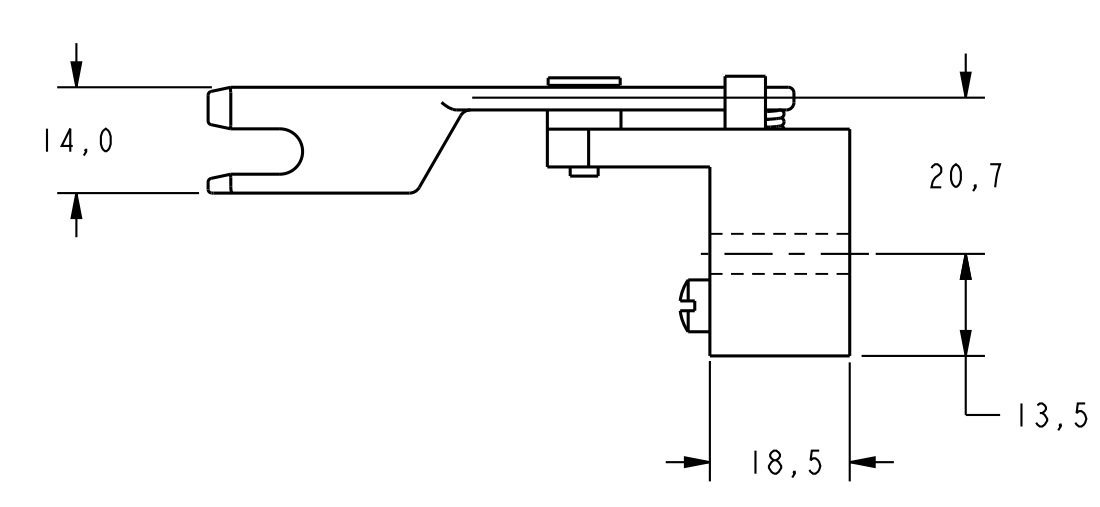
FED. MFG. CODE 91929

THIRD ANGLE PROJECTION		
SCALE FULL		
DO NOT SCALE PRINT		
UNLESS OTHERWISE SPECIFIED TOLERANCES ARE		
ONE PLACE	(.0)	±.030
TWO PLACES	(.00)	±.015
THREE PLACES	(.000)	±.005
ANGLES		±
WEIGHT APPROX .5 KG / 1 LB		

PTC/CAD	30	DRAWN	MAM	1	SEP 98	CHECK	JAF
ISSUE	32	DRAWING NUMBER	CMH	1	NOV 11	CHECK	DVM
GK SERIES CHART 3		PAGE 5 OF 8		RELEASE NO. PR-23758		REPLACES	
REVISIONS L 0083578 10NOV11 21SEP06 B 206443 13SEP02 21SEP06 C 206976 27NOV02 21SEP06 D 207003 4DEC02 21SEP06 E 207211 15JAN03 21SEP06 F 207576 5MAR03 21SEP06 G 0000385 12MAY99 21SEP06 H 0025008 2JUN03 21SEP06 J 0047425 07JAN09 21SEP06 K 0065737 28MAY10 21SEP06							



FRONT ENTRY



TOP ENTRY

KEY CODE 9

GK SERIES CHART 3		REPLACES
PAGE 6 OF 8		
RELEASE NO. PR-23758		
ISSUE	DRAWING NUMBER	CHECK
32		
DATE	BY	CMH
10NOV11		
REVISIONS	CHECK	DVM
L 0083578	21SEP06	
B 206443		
C 206976		
D 207003		
E 207211		
F 207576		
G 0000385		
H 0025008		
J 0047425		
K 0065737		
MAM	28MAY10	

THIS DRAWING COVERS A PROPRIETARY ITEM AND IS THE PROPERTY OF MICRO SWITCH, A DIVISION OF HONEYWELL. THIS DRAWING IS NOT TO BE COPIED OR USED WITHOUT THE APPROVAL OF MICRO SWITCH.

MICRO SWITCH
a Honeywell Division

SWITCH - LIMIT

CATALOG LISTING

GK SERIES CHART 3

ANSI Y14.5M-1982 APPLIES

FED. MFG. CODE 91929

THIRD ANGLE PROJECTION		
SCALE FULL		
DO NOT SCALE PRINT		
UNLESS OTHERWISE SPECIFIED TOLERANCES ARE		
ONE PLACE	(.0)	± .030
TWO PLACES	(.00)	± .015
THREE PLACES	(.000)	± .005
ANGLES		±
WEIGHT APPROX .5 KG / 1 LB		

MICRO SWITCH
a Honeywell Division
FED. MFG. CODE 91929

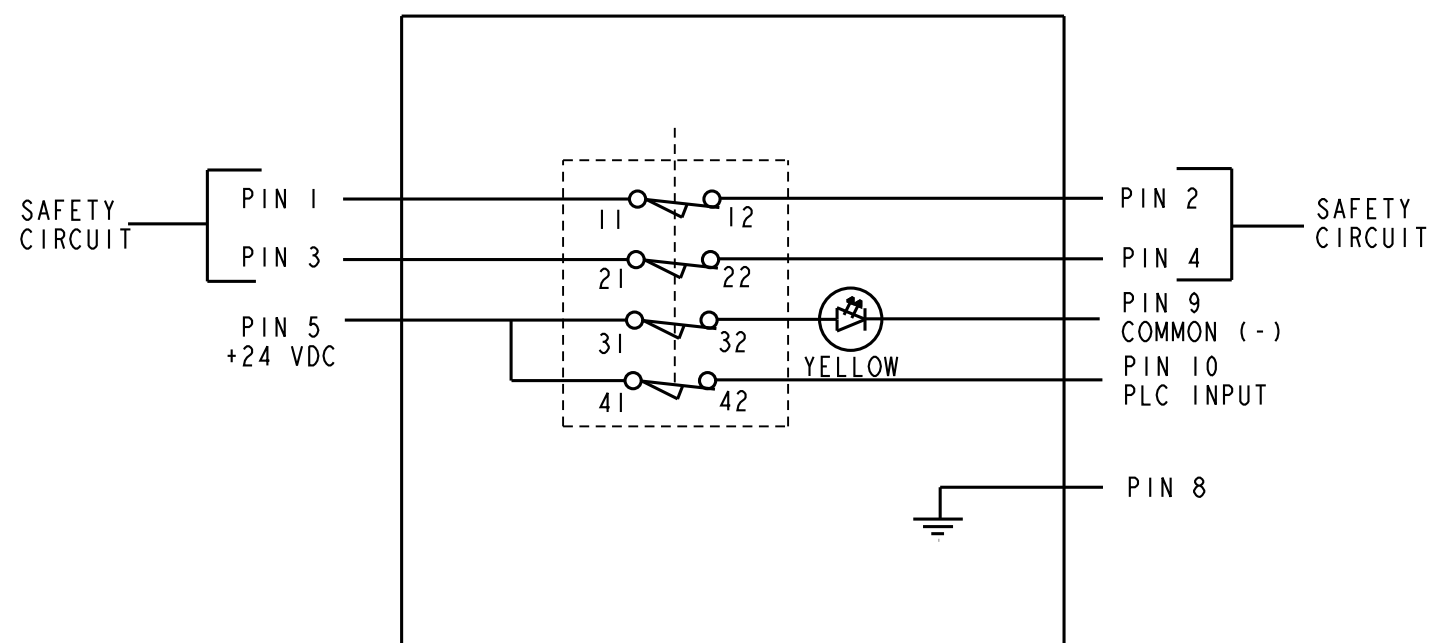
SWITCH - DOOR INTERLOCK

GK SERIES CHART 3

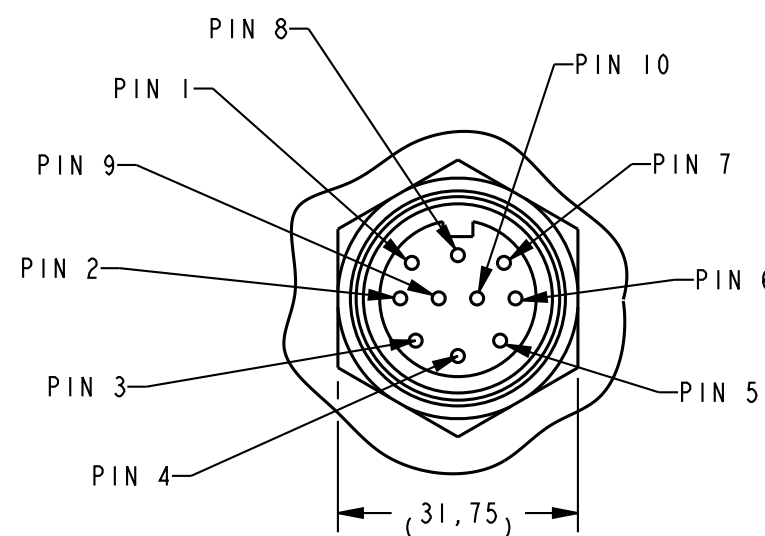
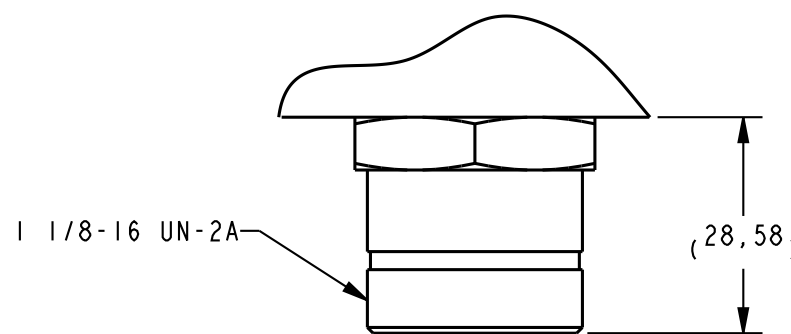
CATALOG LISTING

THIS DRAWING COVERS A PROPRIETARY ITEM AND IS THE PROPERTY OF MICRO SWITCH, A DIVISION OF HONEYWELL. THIS DRAWING IS NOT TO BE COPIED OR USED WITHOUT THE APPROVAL OF MICRO SWITCH

MODIFICATION CODE: F06



SWITCH DIAGRAM STATE SHOWN WITH KEY INSERTED



300V 2.5A
BRAD HARRISON PART NO. 47205-22
OR EQUIVALENT

THIRD ANGLE PROJECTION			
SCALE NONE			
DO NOT SCALE PRINT			
TOLERANCES			
APPLY TO DESIGN UNITS. CONVERSIONS ARE ONLY FOR REFERENCE. UNLESS NOTED, TOLERANCES ARE :			
	mm	mm/100	in
NO PLACES	F	17,04	F.F
ONE PLACE	F,X	0.41,016	F,FX
TWO PLACES	F,XX	0.157,006	F,XX
THREE PLACES	F,XXX	0.137,005	F,XXX
ANGLES			
SI METRIC		US CUSTOMARY	
DESIGN UNITS <input checked="" type="checkbox"/>		<input type="checkbox"/>	
WEIGHT APPROX .5KG / 1LB			

CATALOG LISTING
GK SERIES CHART 3
PAGE 7 OF 8
ISSUE 32
CMH
10NOV11
RELEASE NO. PR-23758
REPLACES
REVISIONS
L 0083578
MBH
10NOV11
B 206443
JLH
13SEP02
C 206976
JLH
27NOV02
D 207003
GLH
40SC02
E 207211
TSM
15JAN03
F 207576
TSM
SMAR03
G 0000385
GLH
02JUN03
H 0025008
BNA
21SEP06
J 0047425
LK
07JAN09
K 0065737
TFS
28MAY10
PTC/CAD 3D
DRAWN
LJK
11 NOV 99
CHECK

ANSI Y14.5M-1982 APPLIES

MICRO SWITCH
a Honeywell Division
FED. MFG. CODE 91929

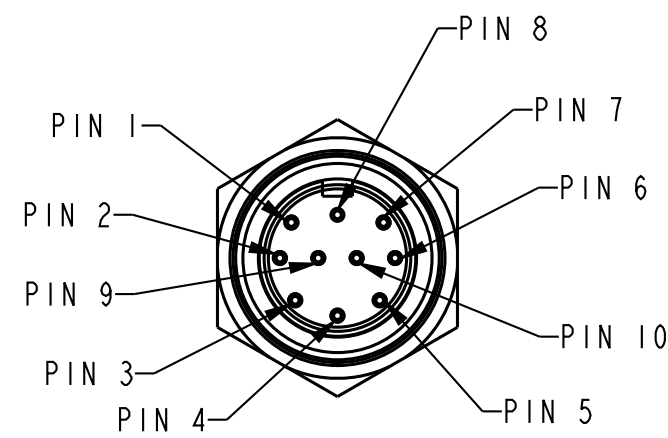
SWITCH - DOOR INTERLOCK

GK SERIES CHART 3

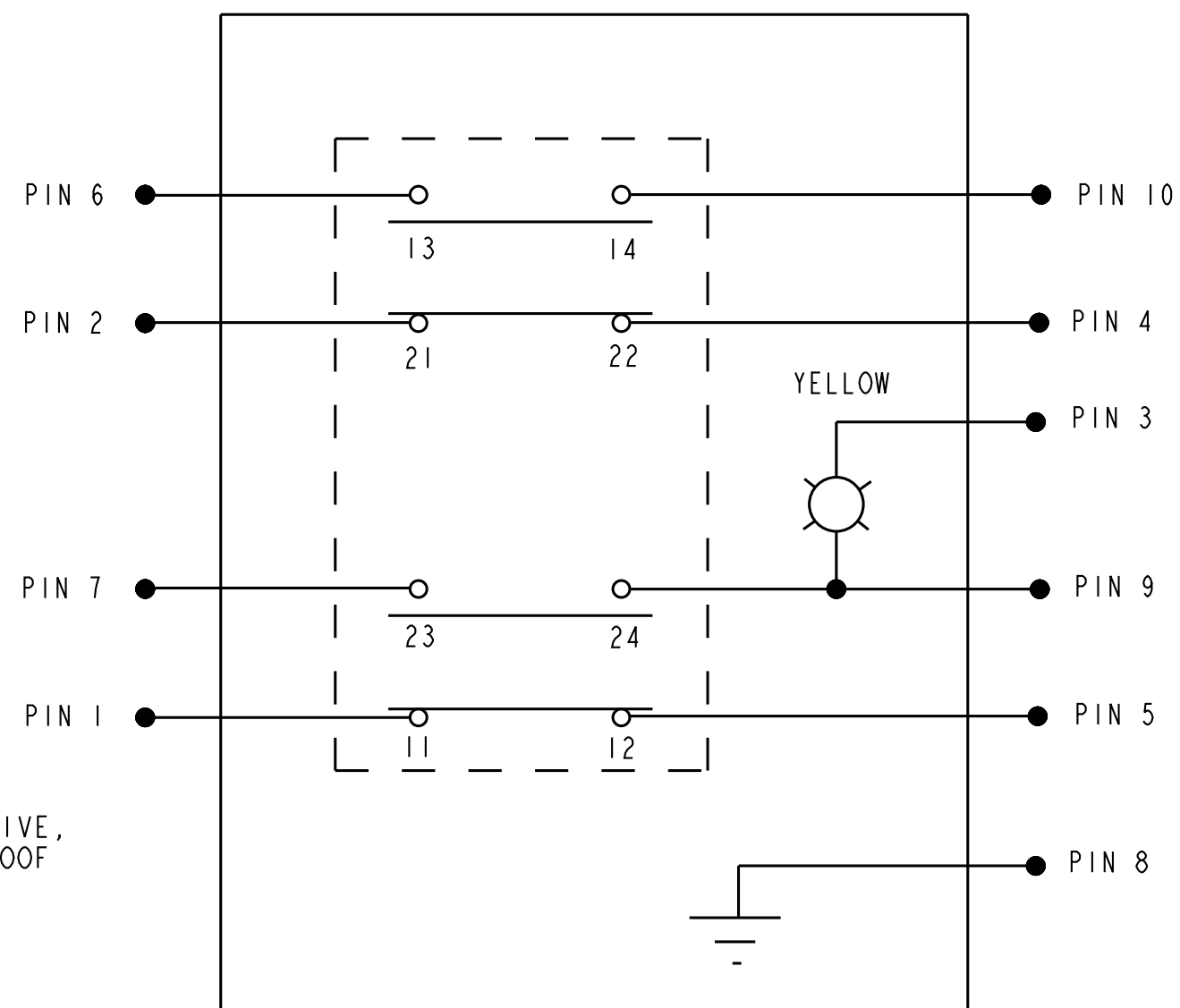
CATALOG LISTING

THIS DRAWING COVERS A PROPRIETARY ITEM AND IS THE PROPERTY OF MICRO SWITCH, A DIVISION OF HONEYWELL. THIS DRAWING IS NOT TO BE COPIED OR USED WITHOUT THE APPROVAL OF MICRO SWITCH

MODIFICATION CODE: FW



10-PIN CONNECTOR



**BASIC SWITCH TO 10-PIN CONNECTOR
CIRCUIT DIAGRAM
DIAGRAM SHOWN WITH KEY INSERTED**

NOTES
1 - THE TWO COVER SCREWS ARE COMBINATION DRIVE, THE FOUR HEAD SCREWS ARE T-15 TAMPER PROOF TORX DRIVE (DRIVER BIT IS PROVIDED) 10-PIN CONNECTOR, BRAD HARRISON PART NO. 47205-22 OR EQUIVALENT

CATALOG LISTING **GK SERIES CHART 3** PAGE 8 OF 8
 ISSUE **32** CMH
 REVISIONS
 L 0083578 MBR 10NOV11
 B 206443 JLH 13SEP02
 C 206976 JLH 27NOV02
 D 207003 GLH 04DEC02
 E 207211 TSM 15JAN03
 F 207576 TSM 03MAR03
 G 0000385 GLH 2JUN03
 H 0025008 BNA 21SEP06
 J 0047425 TSM 07JAN09
 K 0065737 TSM 28MAY10
 PTC/CAD 3D
 DRAWN GRT 18 JAN 00 CHECK SAV 18 JAN 00 CHECK CMH 10NOV11 RELEASE NO. PR-23758 REPLACES

ANSI Y14.5M-1982 APPLIES

THIRD ANGLE PROJECTION			
SCALE		NONE	
DO NOT SCALE PRINT			
TOLERANCES			
APPLY TO DESIGN UNITS. CONVERSIONS ARE ONLY FOR REFERENCE. UNLESS NOTED, TOLERANCES ARE :			
	DIW.	TOL	DIW.
	mm	mm/100	"
NO PLACES	F	17,04	F.F
ONE PLACE	F,X	0.41,016	F,FX
TWO PLACES	F,XX	0.157,006	F,XX
THREE PLACES	F,XXX	0.137,005	F,XXX
ANGLES			
SI METRIC		US CUSTOMARY	
DESIGN UNITS <input checked="" type="checkbox"/>		<input type="checkbox"/>	
WEIGHT 0,4 KG / 1LB			

X-ON Electronics

Largest Supplier of Electrical and Electronic Components

Click to view similar products for [Basic / Snap Action Switches](#) category:

Click to view products by [Honeywell](#) manufacturer:

Other Similar products are found below :

[83228001](#) [01.098.1358.1](#) [602EN532](#) [602EN535-RB](#) [602HE5-RB1](#) [604HE162](#) [604HE223-6B](#) [624HE17-RB](#) [6HM89](#) [6PA78-JM](#) [6SE1](#)
[6SX1-H58](#) [70500216](#) [70500840](#) [70599106](#) [MBD5B1](#) [MBH2731](#) [73-316-0012](#) [79211759](#) [79211923](#) [79218589](#) [7AS12](#) [ML-1155](#) [ML-1376](#)
[831010C3.0](#) [831090C2.EL](#) [83131904](#) [84212012](#) [8AS239](#) [8HM73-3](#) [903VB1-PG](#) [914CE1-6G](#) [PL-100](#) [11SM1077-H4](#) [11SM1077-H58](#)
[11SM1-TN107](#) [11SM405](#) [11SM8423-H2](#) [11SX37-T](#) [11SX48-H58](#) [11SX55-H58](#) [11SM2442-T](#) [11SM76-T](#) [11SM77-H58](#) [11SM77-T](#)
[11SM863-T](#) [11SM866](#) [11SX47-H58](#) [A7CN-1M-1-LEFT](#) [A831700C7.0](#)