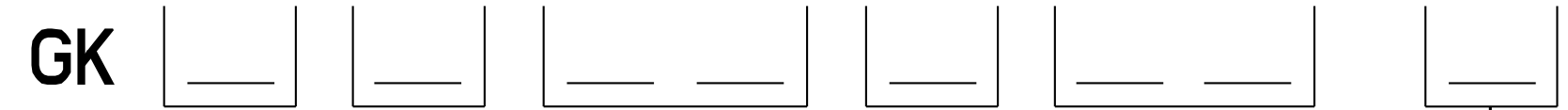


DUAL ENTRY KEY OPERATED SAFETY INTERLOCK NOMENCLATURE



BODY / INDICATOR		CONDUIT		BASIC $\triangle 9$		HEAD		KEY		MODIFICATION CODE $\triangle 12$
B	NO INDICATOR	A	1/2 NPT	1	SNAP ACTION 1 NC - 1 NO, A600	L	OPENING TO FRONT AND TOP	6	STRAIGHT	
C	SINGLE LED INDICATOR	B	PG 13.5	2	SNAP ACTION 2 NC - 2 NO, A600	M	OPENING TO RIGHT AND TOP	7	90 DEGREE	F06
D	DOUBLE LED INDICATOR	C	20 MM	3	SLOW ACTING 1 NC - 1 NO BBM, A600	N	OPENING TO BACK AND TOP	8	UP-DOWN - SPRING LOADED	FW
		D	PF 1/2	4	SLOW ACTING 1 NC - 1 NO MBB, A600	P	OPENING TO LEFT AND TOP	9	SIDE-SIDE - SPRING LOADED	
				6	SLOW ACTING 2 NC, A500			X	NO KEY	
				7	SNAP ACTION 1 NC - 1 NO - GOLD, A600					
				10	SLOW ACTING 4 NC, A300					
				12	SLOW ACTING 2 NC - 1 NO BBM, A300					
				14	SLOW ACTING 2 NC - 2 NO BBM, A300					
				16	SLOW ACTING 3 NC - 1 NO BBM, A300					
				30	SLOW ACTING 4 NC - GOLD, A300					
				32	SLOW ACTING 2 NC - 1 NO BBM - GOLD, A300					
				34	SLOW ACTING 2 NC - 2 NO BBM - GOLD, A300					
				36	SLOW ACTING 3 NC - 1 NO BBM - GOLD, A300					

P.T.C./CAD 30
 DRAWN MAM 28 AUG 98
 CHECKED JAF 28 MAY 99
 DVM 21 SEP 06
 CMH 10 NOV 11
 RELEASE NO. PR-23758
 PAGE 1 OF 8
 GK SERIES CHART 3
 REVISIONS: L 0083578, B 206443, C 206976, D 207003, E 207211, F 207576, G 0000385, H 0025008, J 0047425, K 0065737
 I 00 NOV 11, J 13 SEP 02, K 07 JAN 09, L 07 JAN 09, M 28 MAY 99, N 21 SEP 06, O 21 SEP 06, P 21 SEP 06, Q 21 SEP 06, R 21 SEP 06, S 21 SEP 06, T 21 SEP 06, U 21 SEP 06, V 21 SEP 06, W 21 SEP 06, X 21 SEP 06, Y 21 SEP 06, Z 21 SEP 06

- NOTES
- ZINC DIECAST BODY AND HEAD WITH STEEL COVER. BODY, HEAD AND COVER FINISHED WITH EPOXY PAINT
 - MINIMUM OPERATING VELOCITY (V_{min}) = 10 mm/S
 .39 in/S
 MAXIMUM OPERATING VELOCITY (V_{max}) = 1 M/S
 39.4 in/S
 - NO CHANGES CAN BE MADE TO THIS DRAWING WITHOUT JOINT FREEPORT/NEWHOUSE APPROVAL
 - INSERTION FORCE = 35N NOM
 8 LB
 EXTRACTION FORCE = 28 N NOM
 6 LB
 - SNAP ACTION N.C. CONTACTS: POSITIVE OPENING
 SLOW MAKE AND BREAK N.C. CONTACTS: DIRECT ACTING
 - WHEN KEY IS INSERTED: N.C. TERMINALS ARE 11/12, 21/22, 31/32 AND/OR 41/42
 N.O. TERMINALS ARE 13/14, 23/24, 33/34 AND/OR 43/44
 - $\triangle 7$ THE MAXIMUM VOLTAGE, V_e OF GKC AND GKD SERIES PRODUCTS IS THE MAXIMUM RATED VOLTAGE OF INDICATION LIGHTS: 12 TO 250 VAC/DC FOR GKC AND 18 TO 30 VDC FOR GKD
 - THE LEFT INDICATOR IS GREEN AND IS INTENDED TO INDICATE "POWER ON". THIS FEATURE IS ON GKD SERIES PRODUCTS ONLY.
 THE RIGHT INDICATOR IS YELLOW AND IS INTENDED TO INDICATE "OUTPUT STATUS". THIS FEATURE IS ON GKC AND GKD SERIES PRODUCTS ONLY
 - $\triangle 9$ SEE BASIC SWITCH COLUMN FOR VOLTAGE RATING
 - T-15 TAMPER PROOF TORX DRIVER BIT PROVIDED
 - SWITCH MUST OPERATE BEFORE REACHING MINIMUM INSERTION DISTANCE
 - FOR CONNECTOR AND CIRCUIT DETAILS OF MODIFICATION CODE, REFER PAGE 7 FOR CODE F06, PAGE 8 FOR CODE FW

ELECTRICAL RATING $\triangle 7$				ENVIRONMENTAL		APPROVALS
AC		DC		IP 67 NEMA 1, 4, 12 & 13		 IEC 947-5-1 EN50041
A300/A600 U_e	AC15 I_e	Q300 U_e	DC13 I_e	TEMP RANGE: -25°C TO 85°C -13°F TO 185°F		
(VOLTS)	(AMPS)	(VOLTS)	(AMPS)	STORAGE: -40°C TO 85°C -40°F TO 185°F		
120	6	24	2.8	SHOCK: 50G PER IEC 68-2-27 VIBRATION: 10G PER IEC 68-2-6		
240	3	125	.55			
380	1.9	250	.27			
480	1.5					
500	1.4					
600	1.2					
Ith = 10A						

THIS DRAWING COVERS A PROPRIETARY ITEM AND IS THE PROPERTY OF MICRO SWITCH, A DIVISION OF HONEYWELL. THIS DRAWING IS NOT TO BE COPIED OR USED WITHOUT THE APPROVAL OF MICRO SWITCH.

MICRO SWITCH
a Honeywell Division

SWITCH - LIMIT

CATALOG LISTING
GK SERIES CHART 3

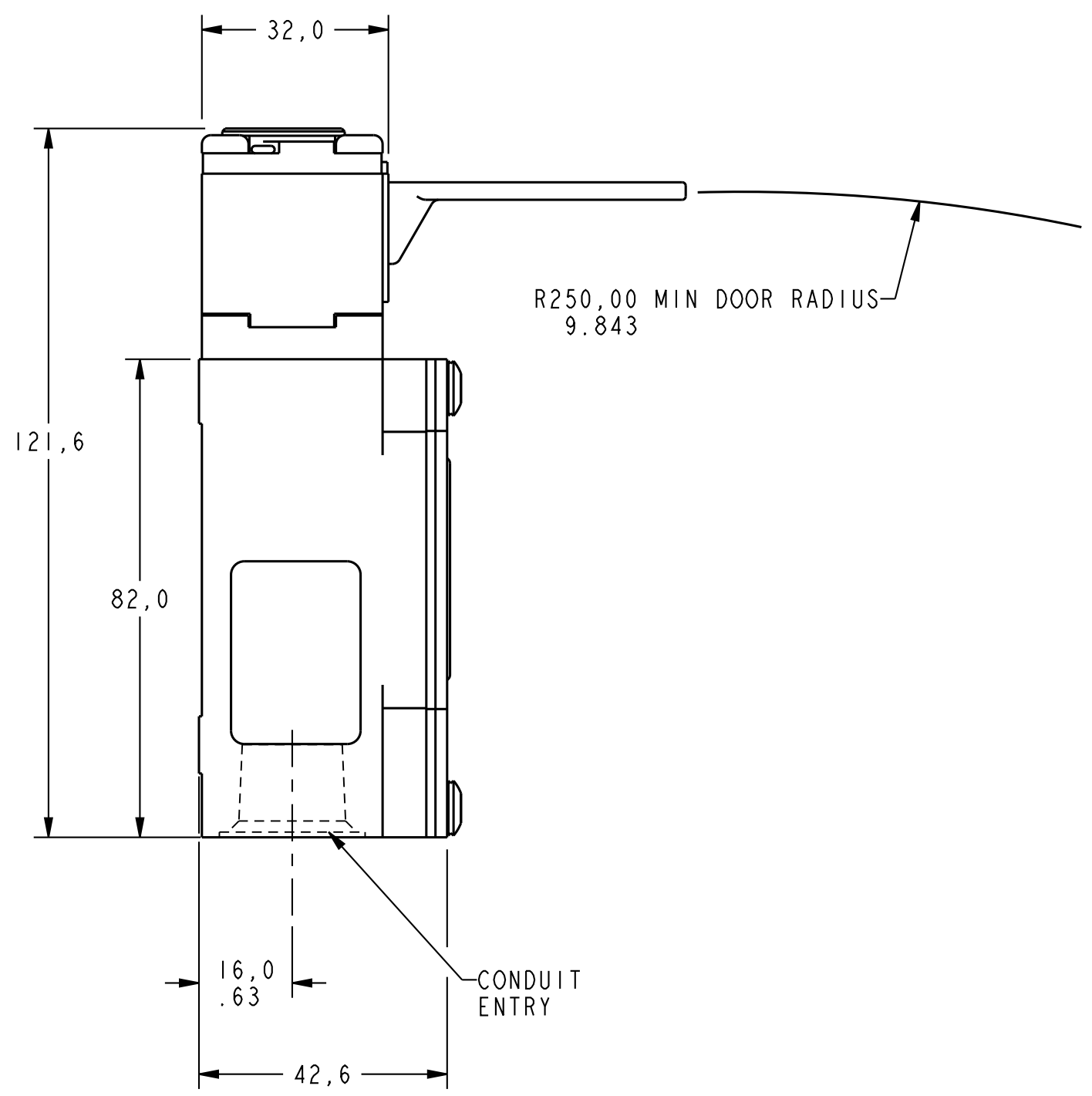
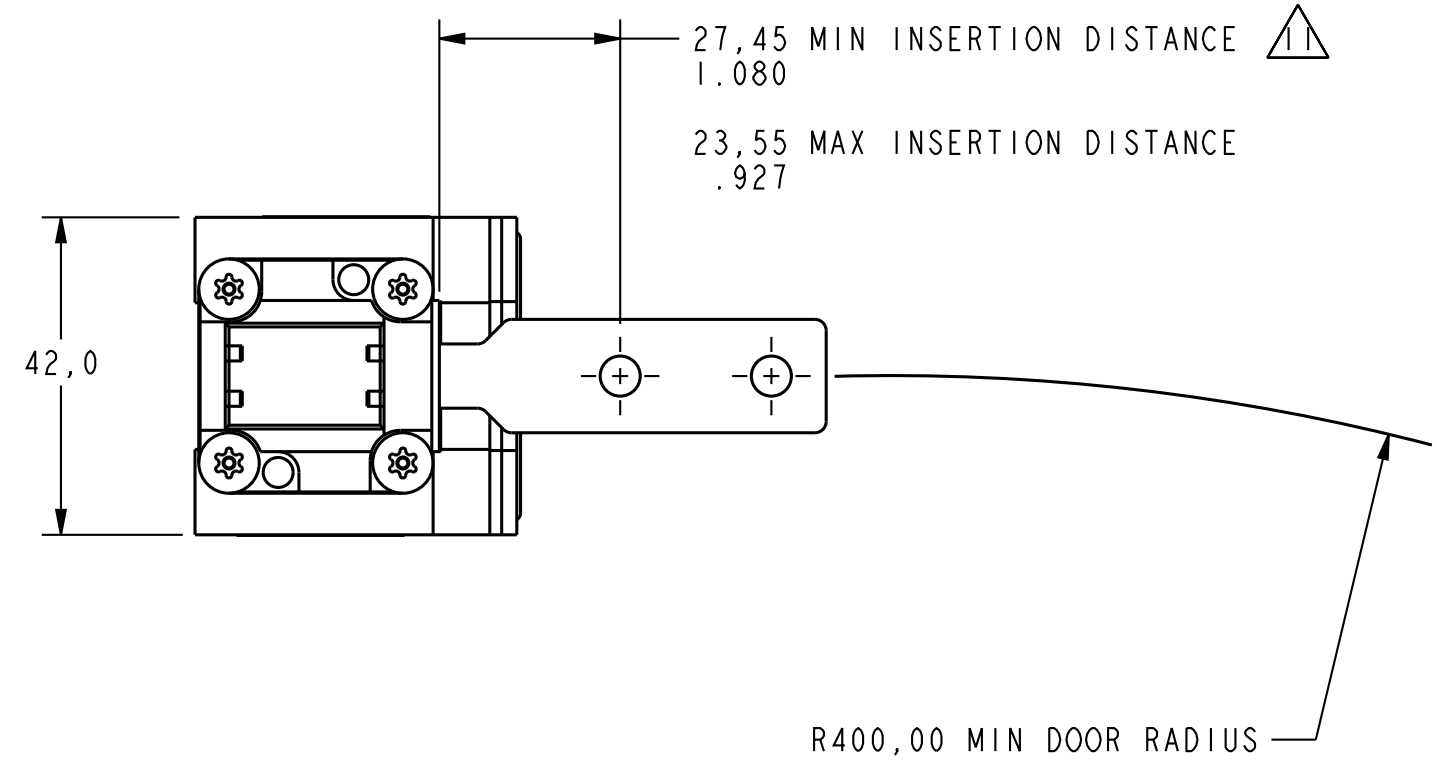
THIRD ANGLE PROJECTION

SCALE NONE

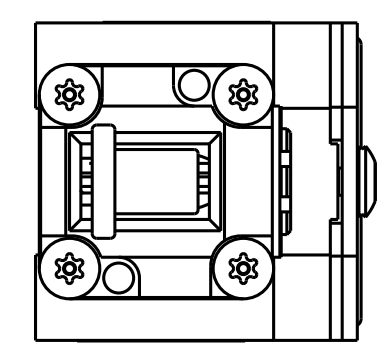
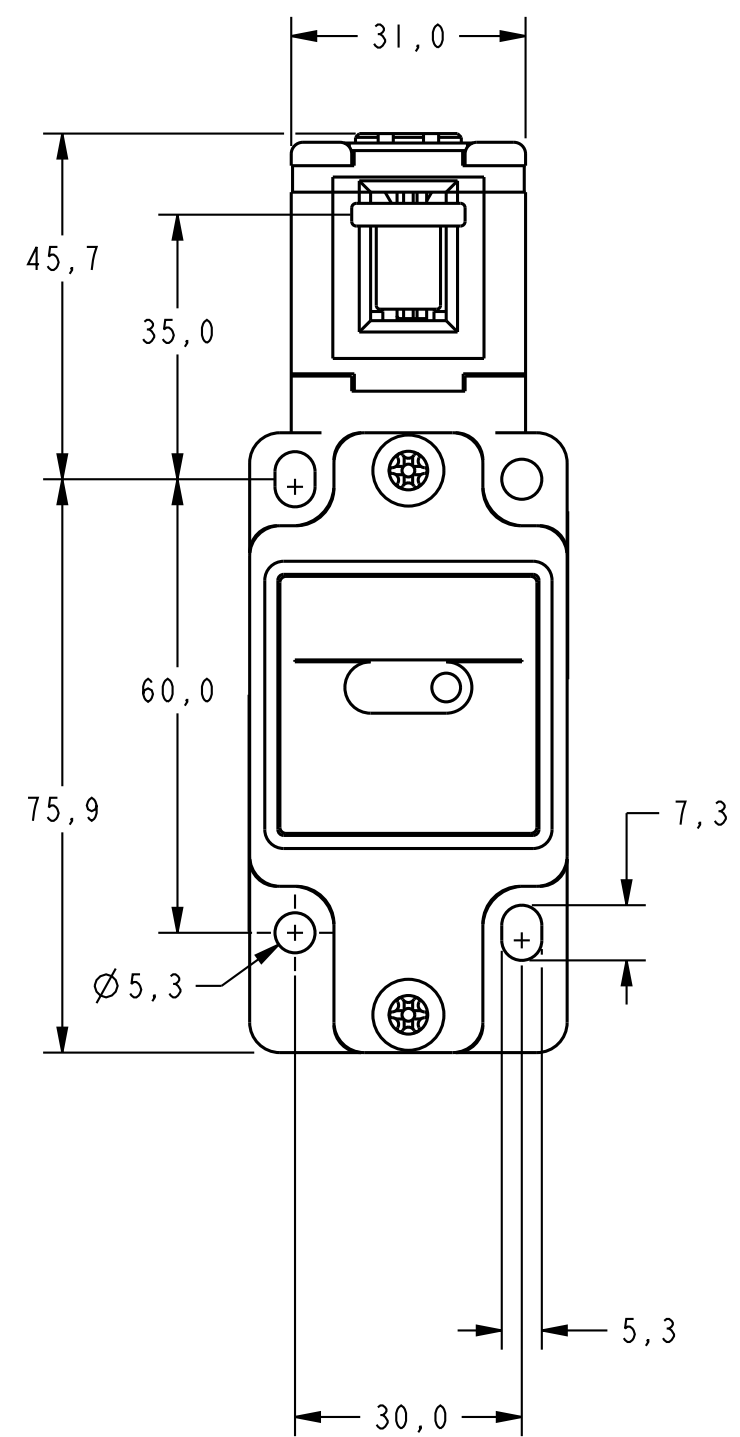
DO NOT SCALE PRINT

UNLESS OTHERWISE SPECIFIED TOLERANCES ARE

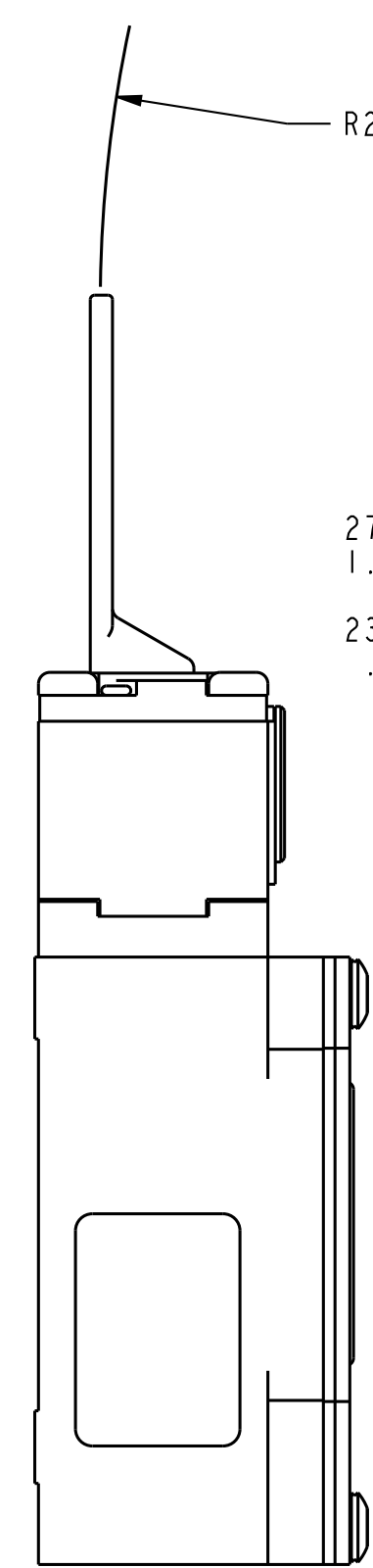
ONE PLACE	(.0)	±.030
TWO PLACES	(.00)	±.015
THREE PLACES	(.000)	±.005
ANGLES		±
WEIGHT APPROX .5 KG / 1 LB		



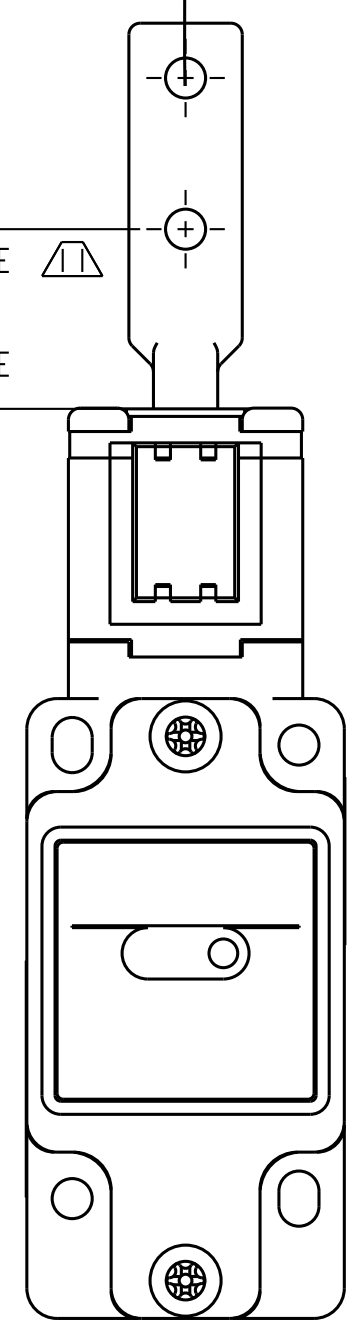
FRONT ENTRY



R400,00 MIN DOOR RADIUS



TOP ENTRY



GK SERIES CHART 3		REPLACES	
PAGE 2 OF 8		RELEASE NO. PR-23758	
ISSUE	DRAWING NUMBER	CHECK	CMH
32		10NOV11	
REVISIONS		CHECK	DVM
L	0083578	21SEP06	
B	206443	13SEP02	
C	206976	27NOV02	
D	207003	4DEC02	
E	207211	15JAN03	
F	207576	5MAR03	
G	0000385	12MAY99	
H	0025008	21SEP06	JAF
J	0047425		
K	0065737		
DRAWN		CHECK	
28 AUG 98			
P.T.C./CAD			
30			

THIS DRAWING COVERS A PROPRIETARY ITEM AND IS THE PROPERTY OF MICRO SWITCH, A DIVISION OF HONEYWELL. THIS DRAWING IS NOT TO BE COPIED OR USED WITHOUT THE APPROVAL OF MICRO SWITCH.

MICRO SWITCH
a Honeywell Division

SWITCH - LIMIT

CATALOG LISTING

GK SERIES CHART 3

THIRD ANGLE PROJECTION

SCALE FULL

DO NOT SCALE PRINT

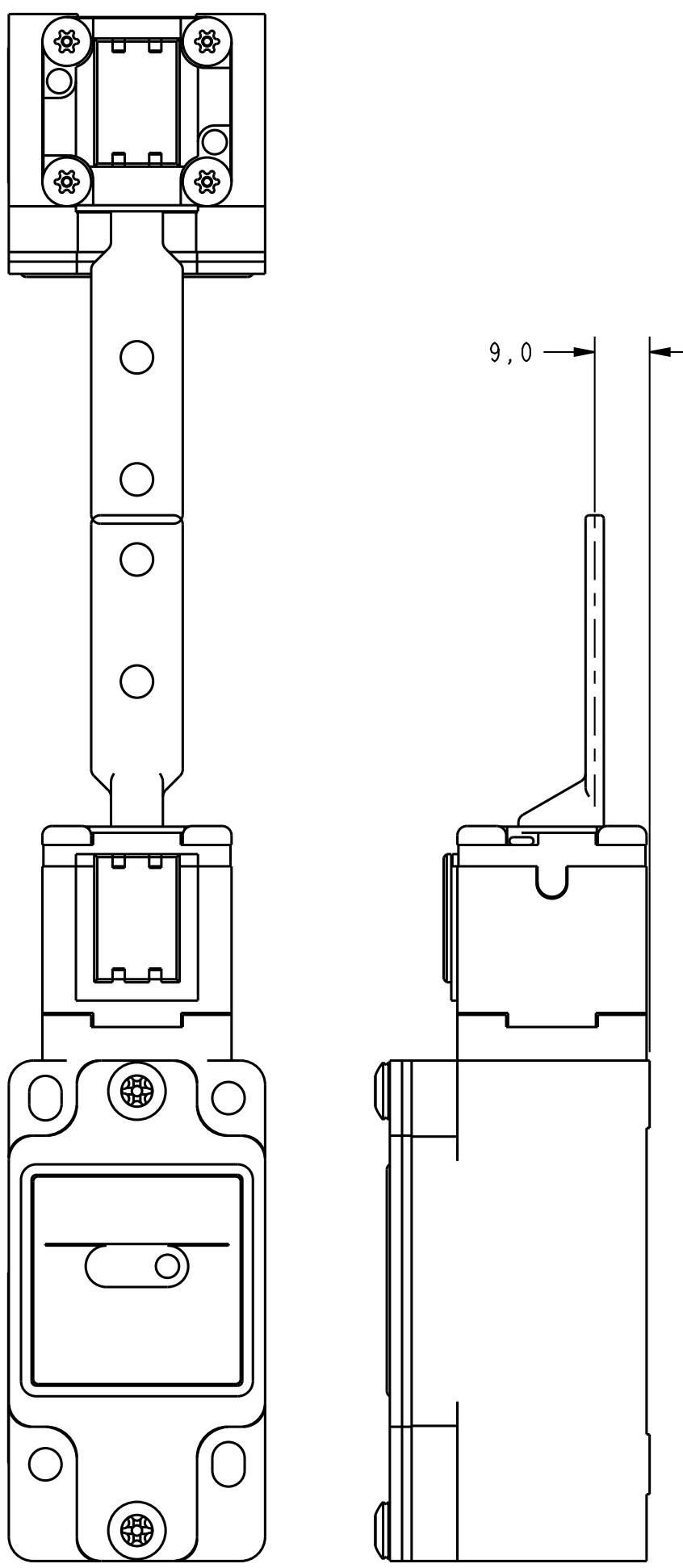
UNLESS OTHERWISE SPECIFIED TOLERANCES ARE

ONE PLACE	(.0)	±.030
TWO PLACES	(.00)	±.015
THREE PLACES	(.000)	±.005
ANGLES		±

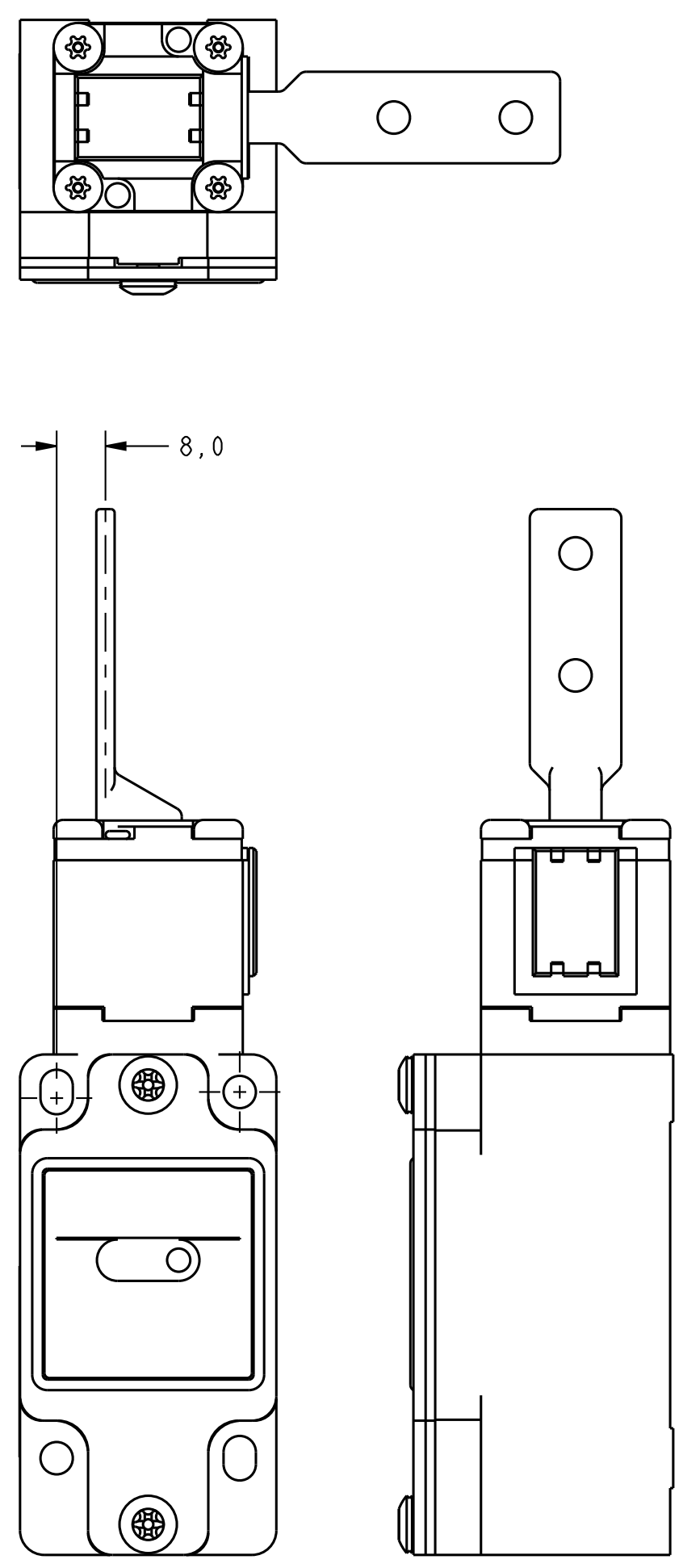
WEIGHT APPROX .5 KG / 1LB

ANSI Y14.5M-1982 APPLIES

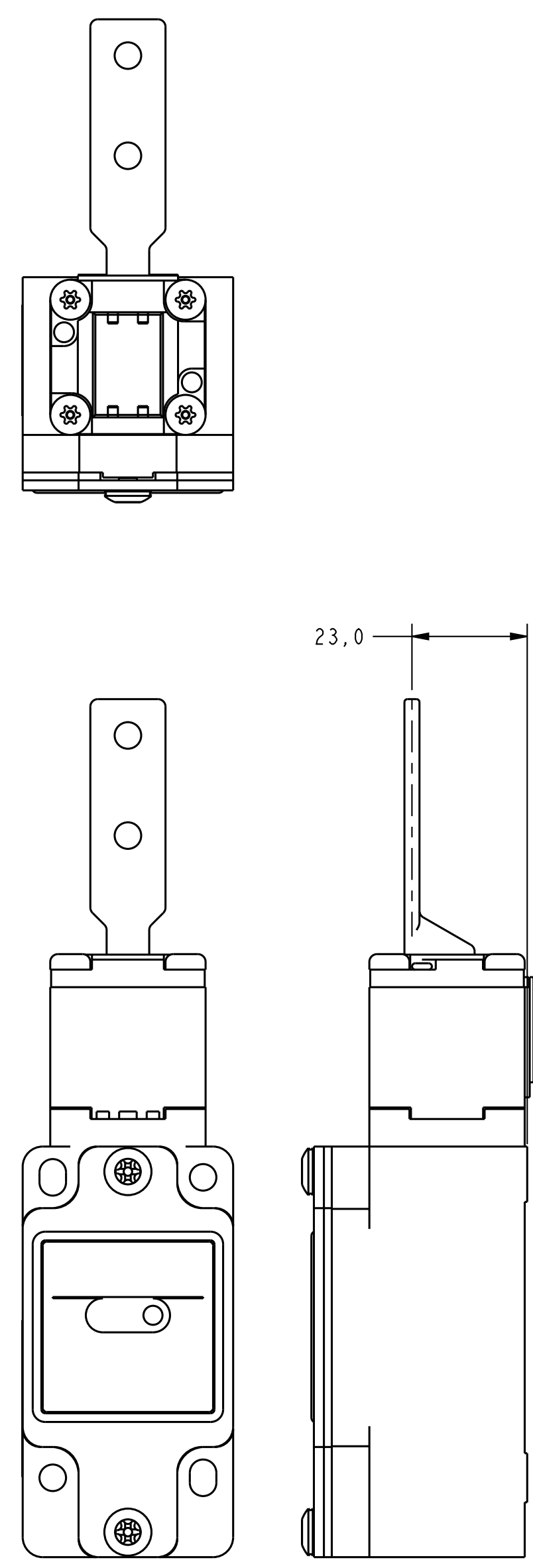
FED. MFG. CODE 91929



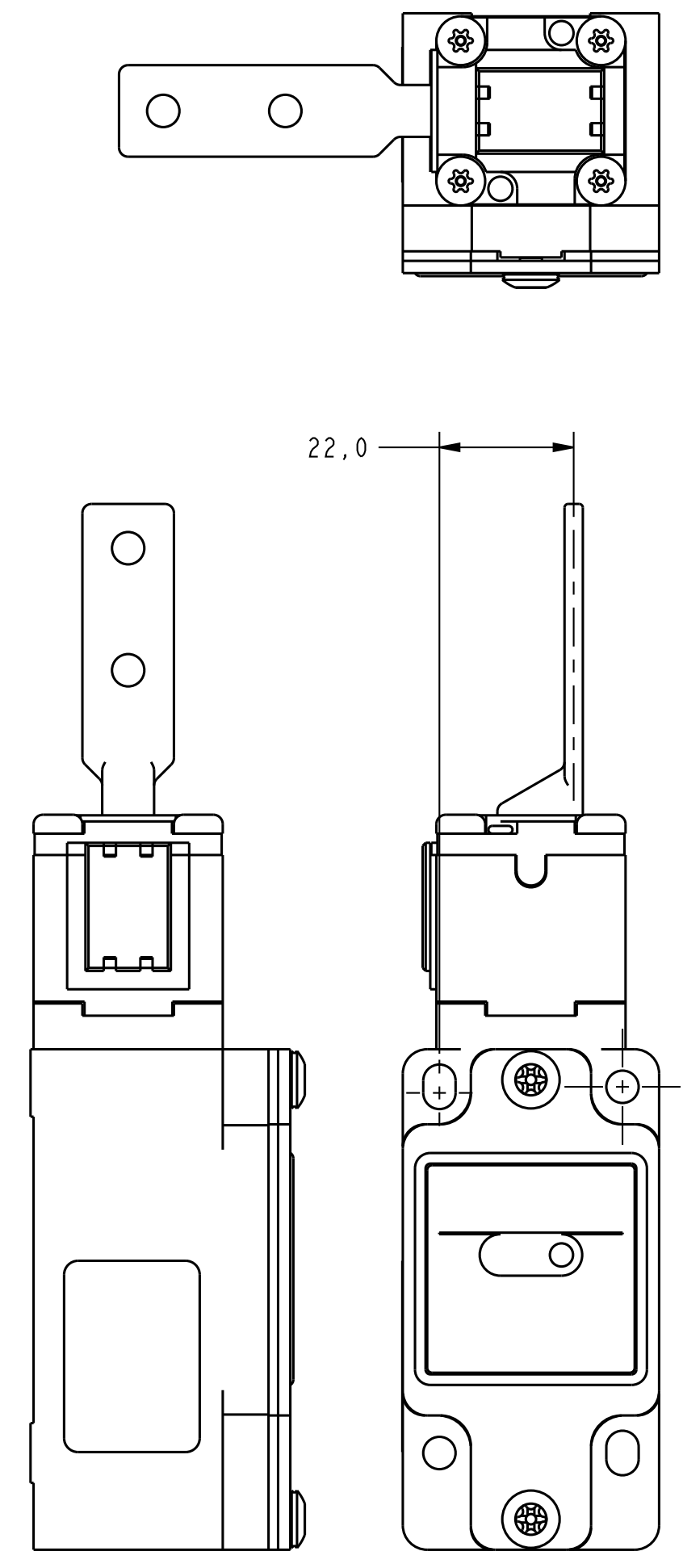
HEAD CODE L



HEAD CODE M



HEAD CODE N



HEAD CODE P

P.T.C./CAD 30
 DRAWN MAM
 31 AUG 98
 CHECK JAF
 28 MAY 10
 ISSUE 32
 DRAWING NUMBER
 GK SERIES CHART 3
 PAGE 3 OF 8
 RELEASE NO. PR-23758
 REPLACES
 CMH 10NOV11
 CHECK DVM 21SEP06
 12MAY99
 JAF
 28MAY10

REVISIONS

L	0083578	10NOV11
B	206443	13SEP02
C	206976	27NOV02
D	207003	4DEC02
E	207211	15JAN03
F	207576	5MAR03
G	0000385	2JUN03
H	0025008	21SEP06
J	0047425	07JAN09
K	0065737	28MAY10

THIS DRAWING COVERS A PROPRIETARY ITEM AND IS THE PROPERTY OF MICRO SWITCH, A DIVISION OF HONEYWELL. THIS DRAWING IS NOT TO BE COPIED OR USED WITHOUT THE APPROVAL OF MICRO SWITCH.

MICRO SWITCH
a Honeywell Division

SWITCH - LIMIT

CATALOG LISTING
GK SERIES CHART 3

ANSI Y14.5M-1982 APPLIES
FED. MFG. CODE 91929

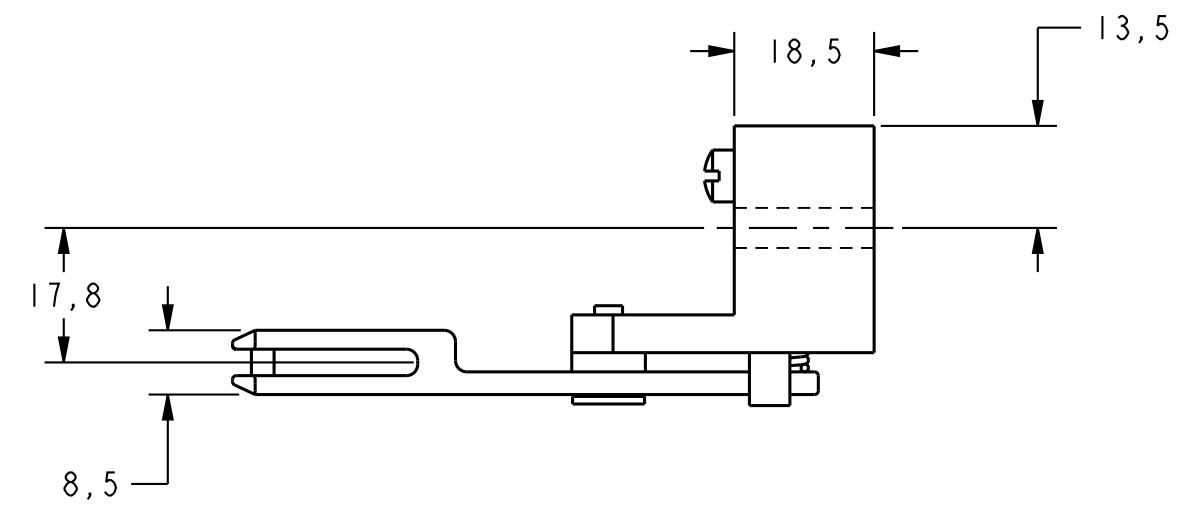
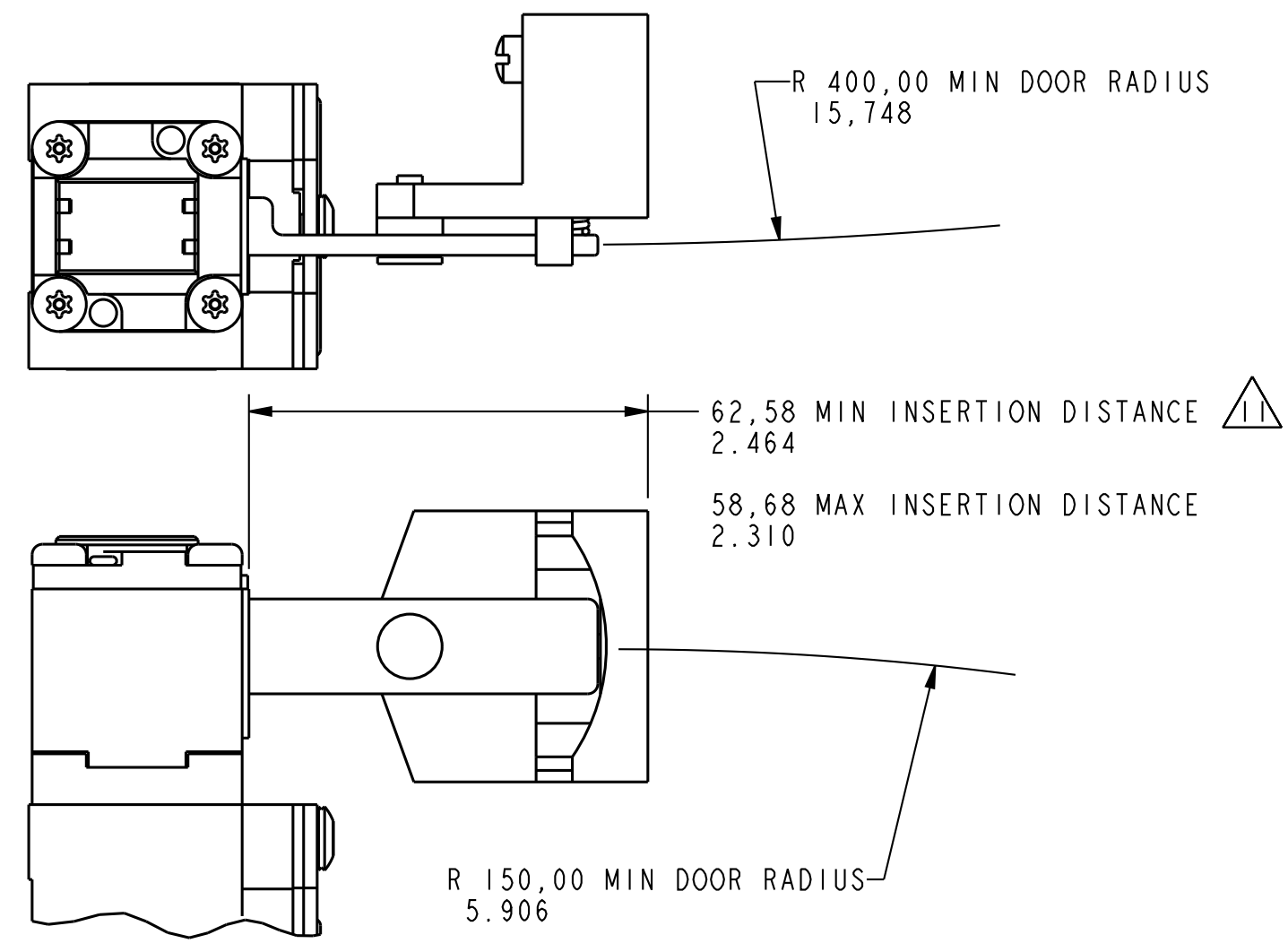
THIRD ANGLE PROJECTION

SCALE FULL

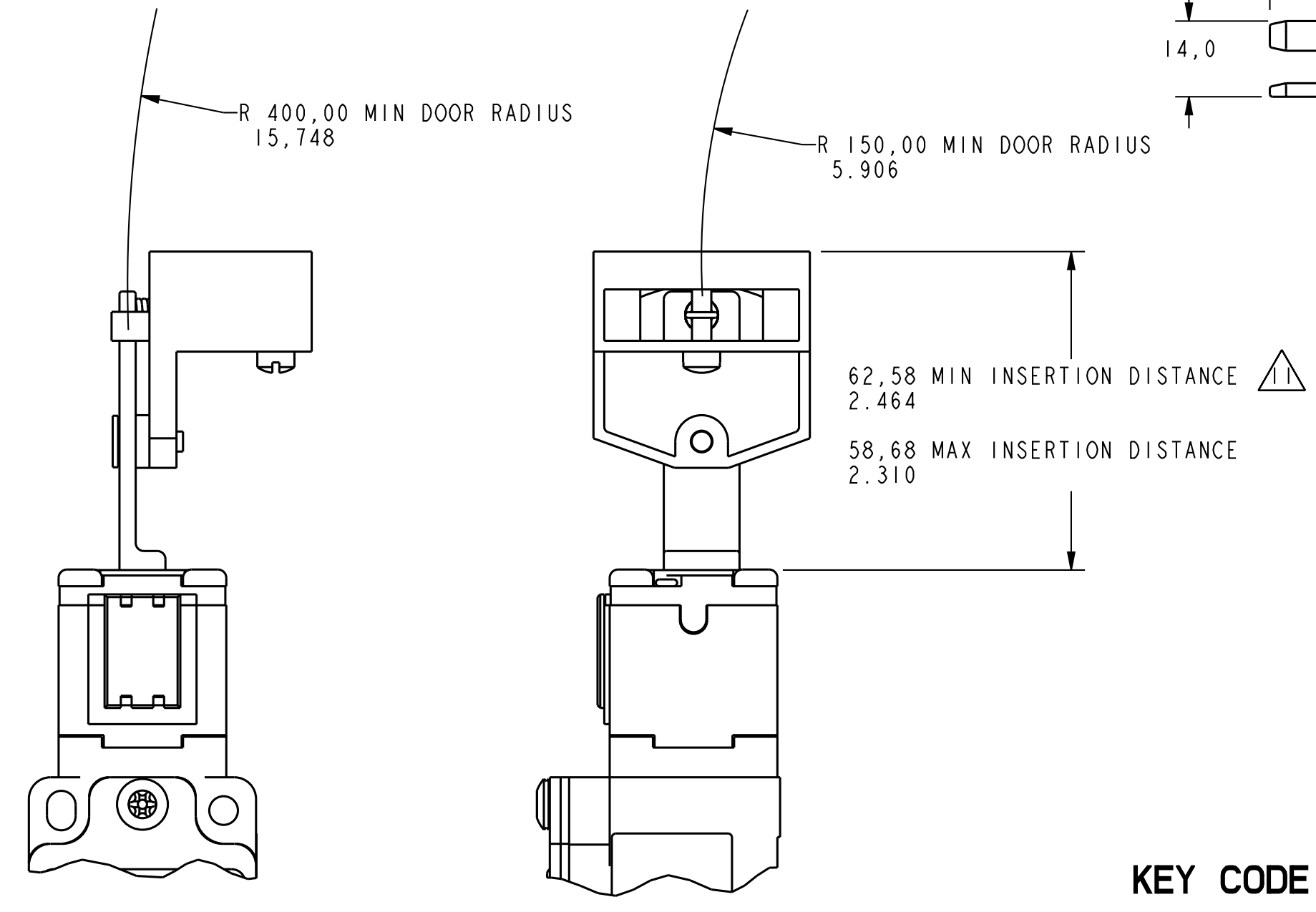
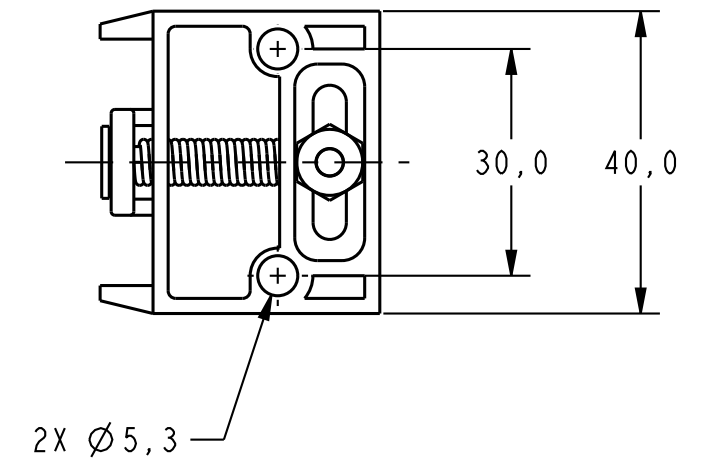
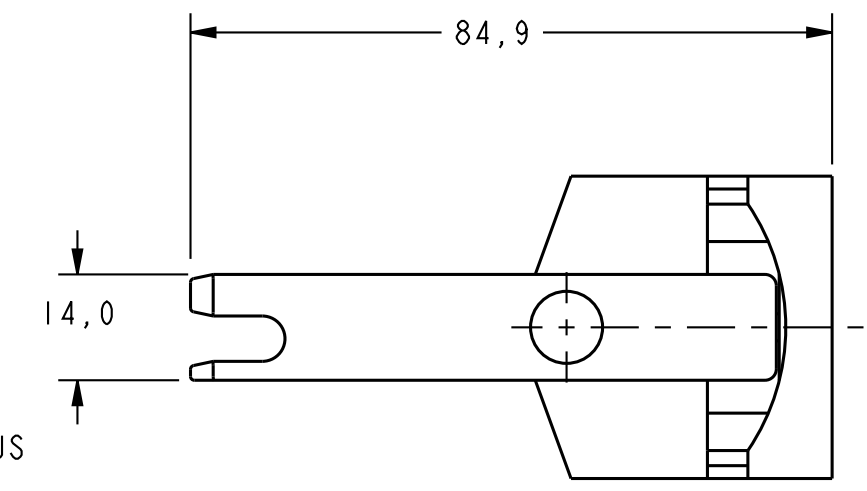
DO NOT SCALE PRINT

UNLESS OTHERWISE SPECIFIED TOLERANCES ARE

ONE PLACE	(.0)	±.030
TWO PLACES	(.00)	±.015
THREE PLACES	(.000)	±.005
ANGLES		±
WEIGHT	APPROX .5 HG / 1 LB	



FRONT ENTRY



KEY CODE 8

TOP ENTRY

ANSI Y14.5M-1982 APPLIES

GK SERIES CHART 3		REPLACES
PAGE 5 OF 8		
RELEASE NO. PR-23758		
ISSUE	DRAWING NUMBER	
32		
CMH	10NOV11	
CHECK	DVM	
21SEP06		
REVISIONS		
L	0083578	
B	206443	
C	206976	
D	207003	
E	207211	
F	207576	
G	0000385	
H	0025008	
J	0047425	
K	0065737	
28MAY10		

THIS DRAWING COVERS A PROPRIETARY ITEM AND IS THE PROPERTY OF MICRO SWITCH, A DIVISION OF HONEYWELL. THIS DRAWING IS NOT TO BE COPIED OR USED WITHOUT THE APPROVAL OF MICRO SWITCH.

MICRO SWITCH
a Honeywell Division

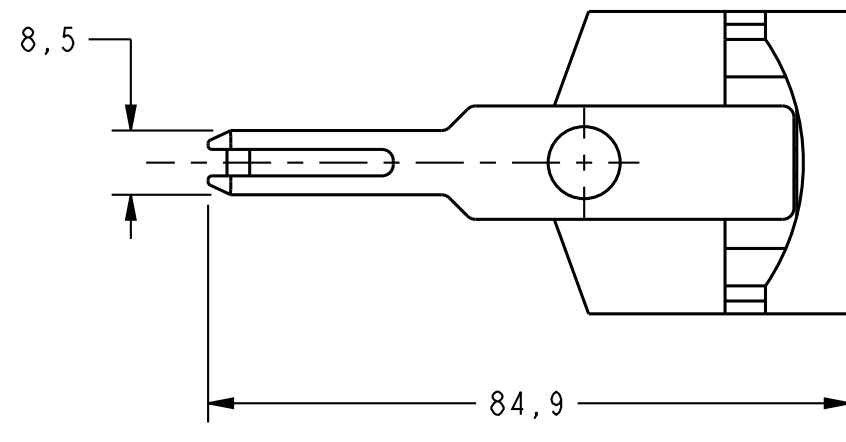
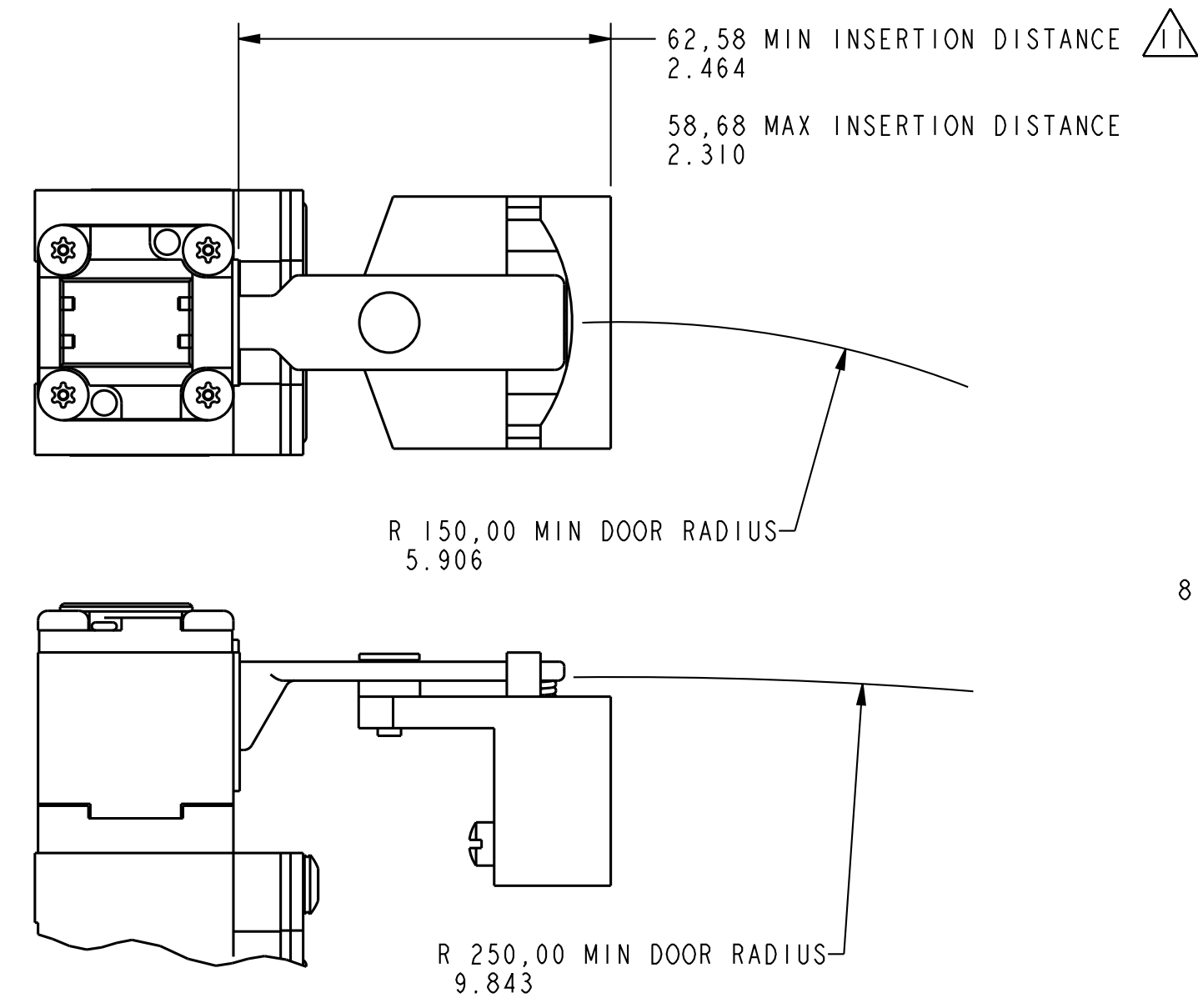
SWITCH - LIMIT

CATALOG LISTING

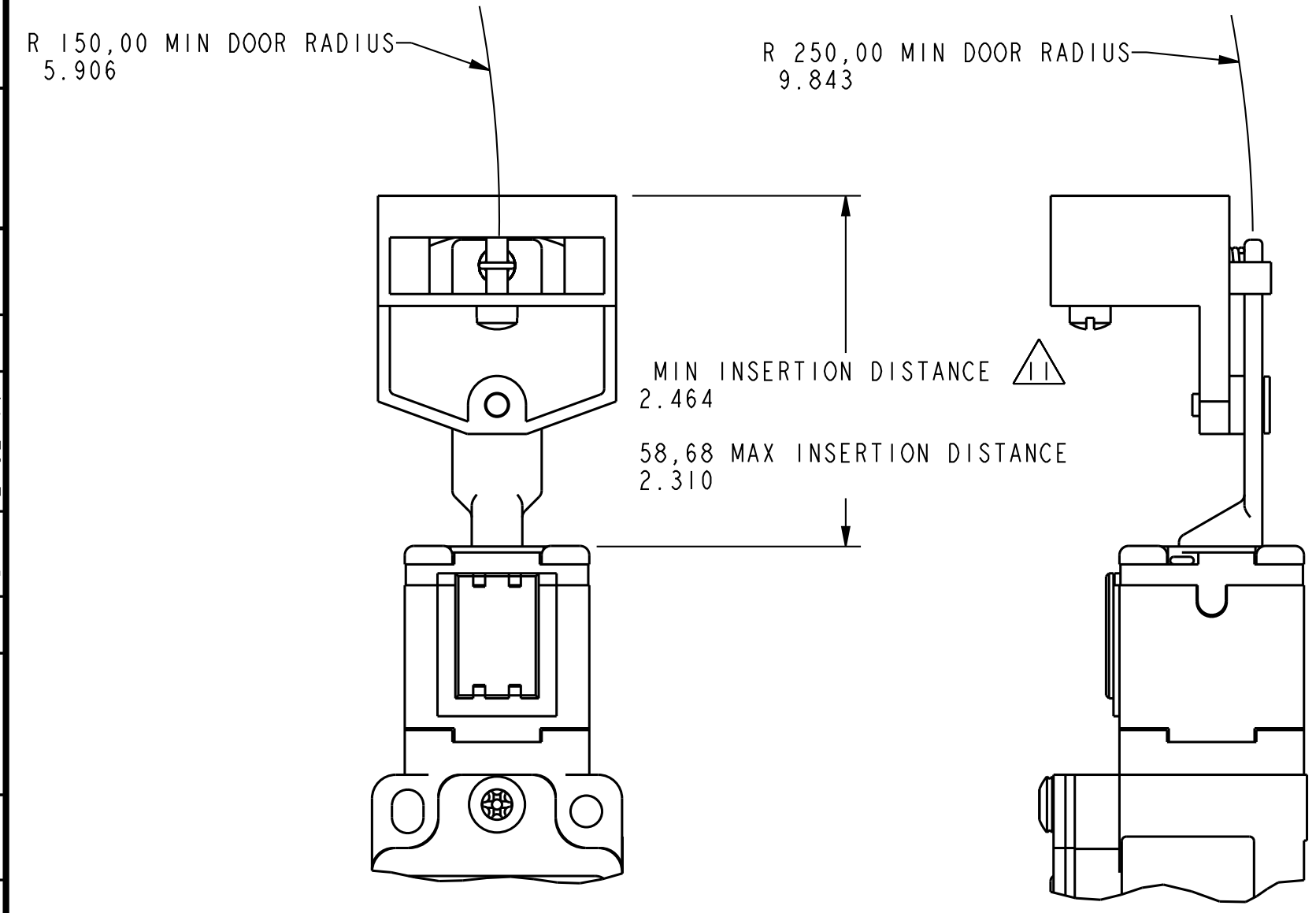
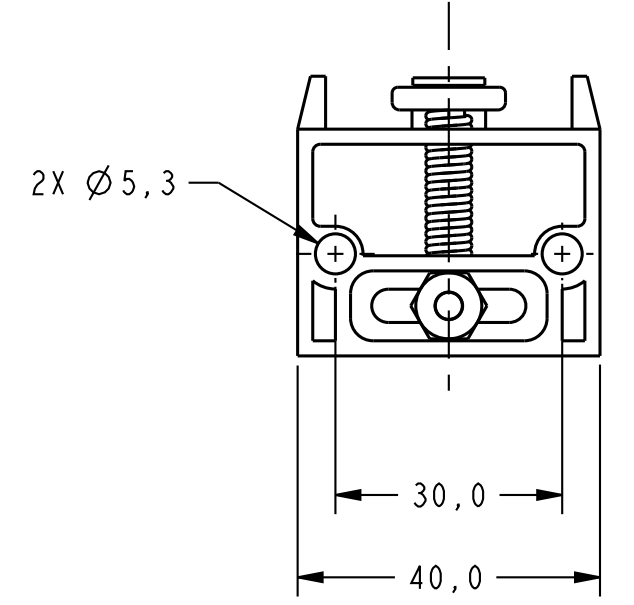
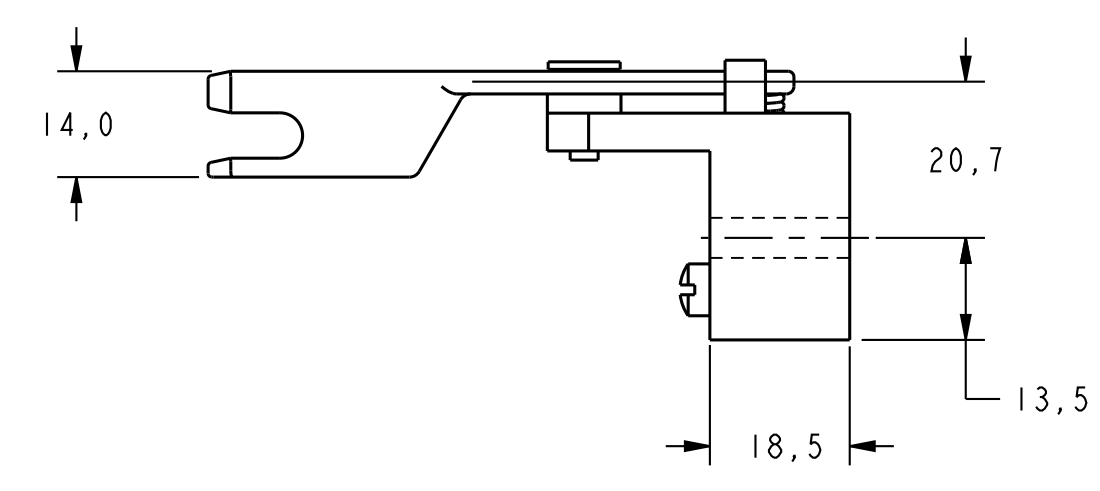
GK SERIES CHART 3

FED. MFG. CODE 91929

THIRD ANGLE PROJECTION		
SCALE FULL		
DO NOT SCALE PRINT		
UNLESS OTHERWISE SPECIFIED TOLERANCES ARE		
ONE PLACE	(.0)	±.030
TWO PLACES	(.00)	±.015
THREE PLACES	(.000)	±.005
ANGLES		±
WEIGHT APPROX .5 KG / 1 LB		



FRONT ENTRY



TOP ENTRY

KEY CODE 9

GK SERIES CHART 3		REPLACES
PAGE 6 OF 8		
RELEASE NO. PR-23758		
ISSUE	DRAWING NUMBER	CHECK
32		
DATE	BY	CHKD
10NOV11	CMH	
REV. NO.	DATE	BY
1	21SEP06	DVM
2	13SEP02	
3	206976	
4	27NOV02	
5	207003	
6	4DEC02	
7	207211	
8	15JAN03	
9	207576	
10	0000385	
11	2JUN03	
12	0025008	
13	21SEP06	
14	0047425	
15	07JAN09	
16	0065737	
17	28MAY10	
18		
19		
20		
21		
22		
23		
24		
25		
26		
27		
28		
29		
30		
31		
32		

ANSI Y14.5M-1982 APPLIES

<p>MICRO SWITCH a Honeywell Division</p>	<p>SWITCH - LIMIT</p>	<p>CATALOG LISTING</p>
		<p>GK SERIES CHART 3</p>
<p>THIS DRAWING COVERS A PROPRIETARY ITEM AND IS THE PROPERTY OF MICRO SWITCH, A DIVISION OF HONEYWELL. THIS DRAWING IS NOT TO BE COPIED OR USED WITHOUT THE APPROVAL OF MICRO SWITCH.</p>		
<p>FED. MFG. CODE 91929</p>		

THIRD ANGLE PROJECTION		
SCALE FULL		
DO NOT SCALE PRINT		
UNLESS OTHERWISE SPECIFIED TOLERANCES ARE		
ONE PLACE	(.0)	± .030
TWO PLACES	(.00)	± .015
THREE PLACES	(.000)	± .005
ANGLES		±
WEIGHT APPROX .5 KG / 1 LB		

MICRO SWITCH
a Honeywell Division
FED. MFG. CODE 91929

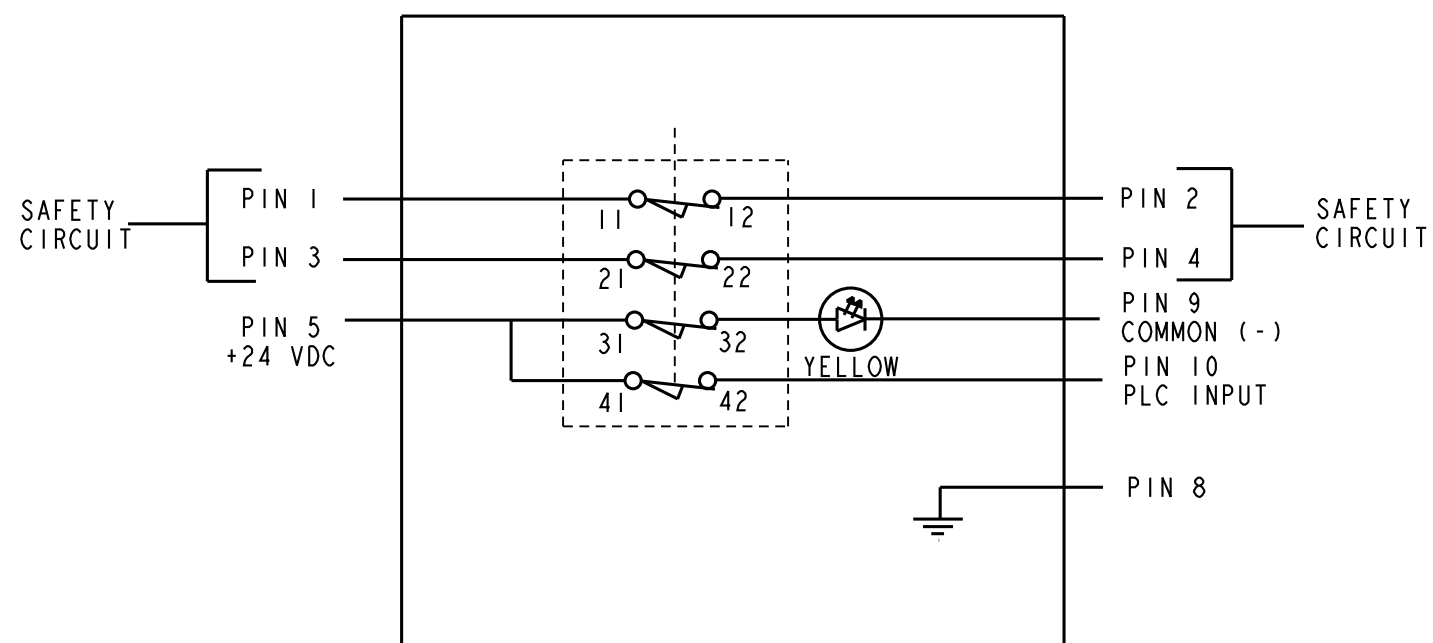
SWITCH - DOOR INTERLOCK

GK SERIES CHART 3

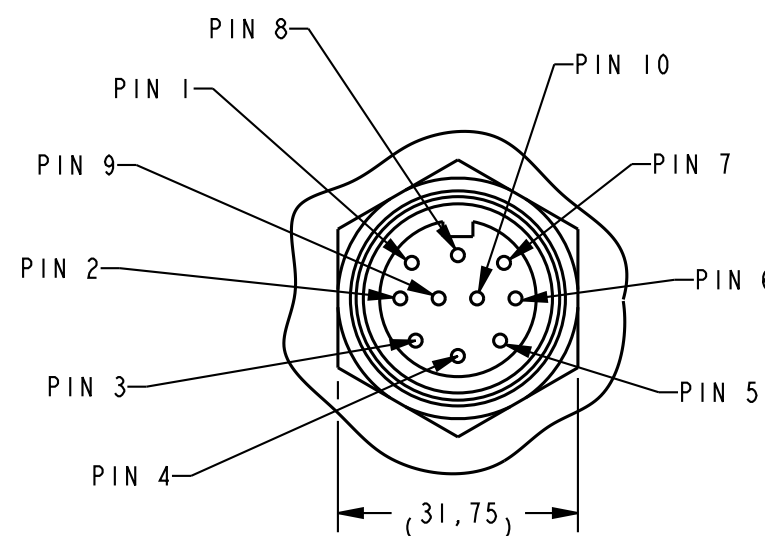
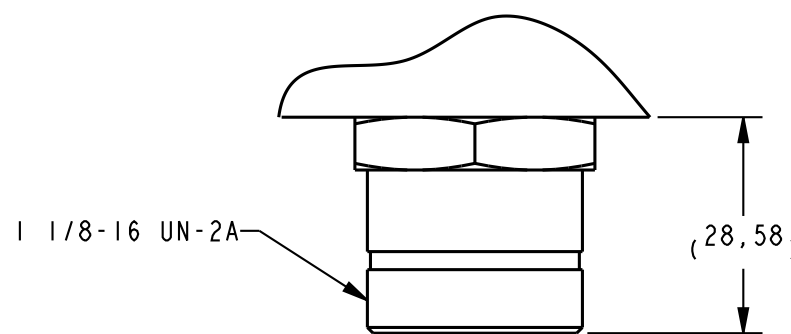
CATALOG LISTING

THIS DRAWING COVERS A PROPRIETARY ITEM AND IS THE PROPERTY OF MICRO SWITCH, A DIVISION OF HONEYWELL. THIS DRAWING IS NOT TO BE COPIED OR USED WITHOUT THE APPROVAL OF MICRO SWITCH

MODIFICATION CODE: F06



SWITCH DIAGRAM STATE SHOWN WITH KEY INSERTED



300V 2.5A
BRAD HARRISON PART NO. 47205-22
OR EQUIVALENT

THIRD ANGLE PROJECTION				
SCALE NONE				
DO NOT SCALE PRINT				
TOLERANCES				
APPLY TO DESIGN UNITS. CONVERSIONS ARE ONLY FOR REFERENCE. UNLESS NOTED, TOLERANCES ARE :				
	DIM.	TOL.	DIM.	TOL.
	mm	mm/100	"	mm/100
NO PLACES	X	17.04	X.X	0.81.03
ONE PLACE	X.X	0.41.016	X.XX	0.381.015
TWO PLACES	X.XX	0.157.006	X.XXX	0.137.005
THREE PLACES	X.XXX			
ANGLES				
SI METRIC		US CUSTOMARY		
DESIGN UNITS <input checked="" type="checkbox"/>		<input type="checkbox"/>		
WEIGHT APPROX .5KG / 1LB				

CATALOG LISTING
GK SERIES CHART 3
PAGE 7 OF 8
ISSUE 32
CMH
10NOV11
RELEASE NO. PR-23758
REPLACES
REVISIONS
L 0083578
MBH
10NOV11
B 206443
JLH
13SEP02
C 206976
JLH
27NOV02
D 207003
GLH
40SC02
E 207211
TSM
15JAN03
F 207576
TSM
SMAR03
G 0000385
GLH
02JUN03
H 0025008
BNA
21SEP06
J 0047425
LK
07JAN09
K 0065737
TFS
28MAY10
PTC/CAD 3D
DRAWN
LJK
11 NOV 99
CHECK
ANSI Y14.5M-1982 APPLIES

MICRO SWITCH
a Honeywell Division
FED. MFG. CODE 91929

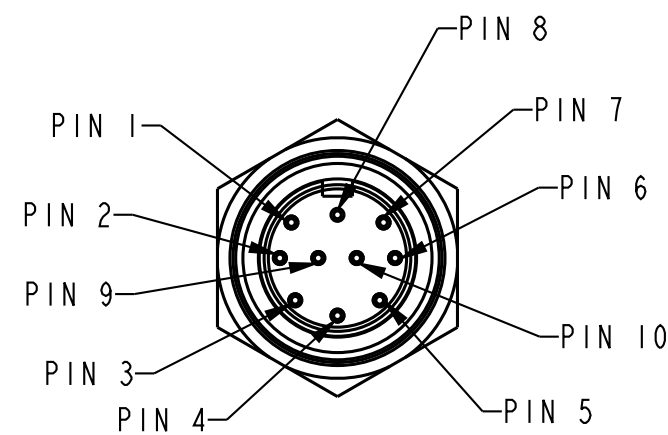
SWITCH - DOOR INTERLOCK

GK SERIES CHART 3

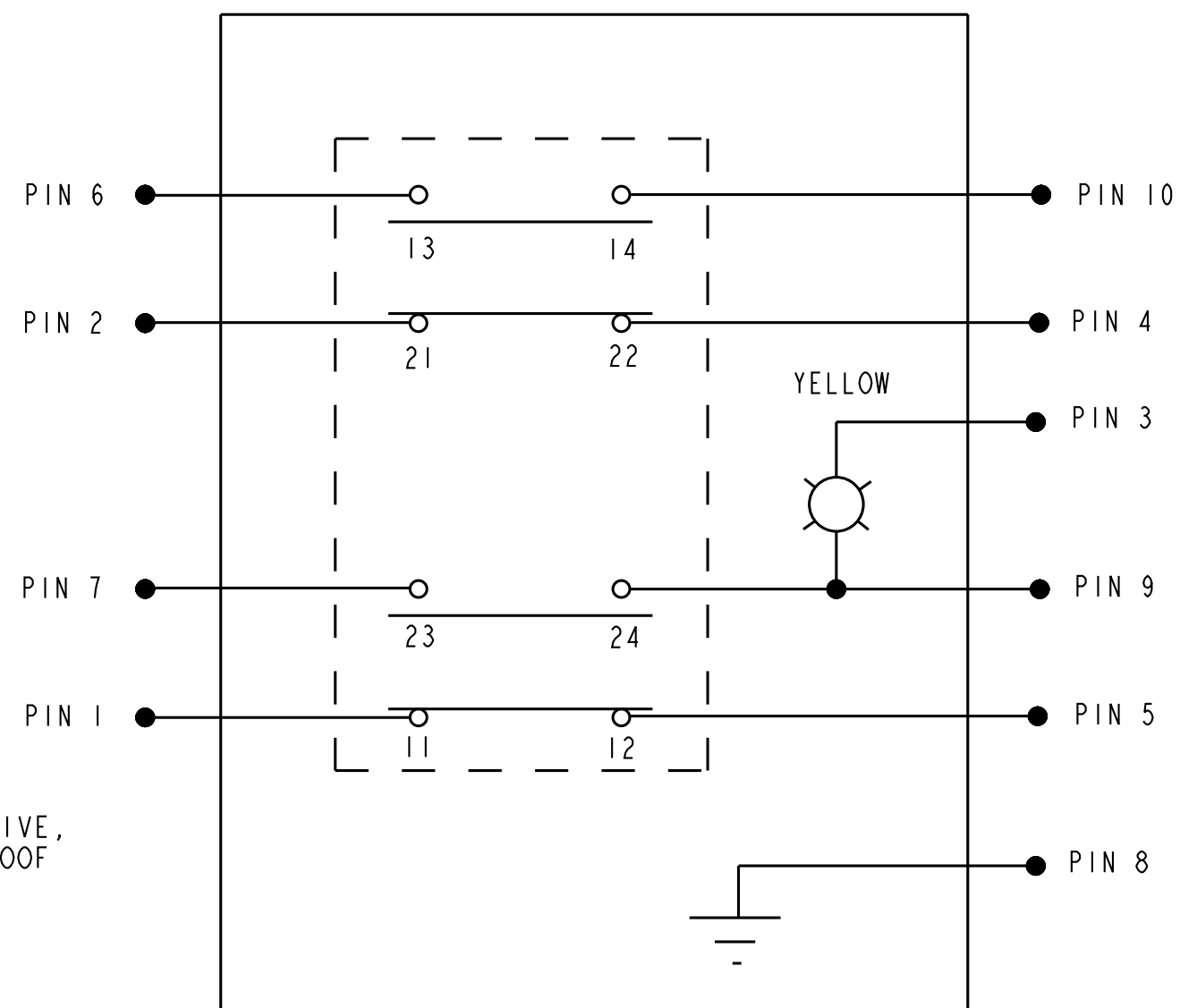
CATALOG LISTING

THIS DRAWING COVERS A PROPRIETARY ITEM AND IS THE PROPERTY OF MICRO SWITCH, A DIVISION OF HONEYWELL. THIS DRAWING IS NOT TO BE COPIED OR USED WITHOUT THE APPROVAL OF MICRO SWITCH

MODIFICATION CODE: FW



10-PIN CONNECTOR $\triangle 2$



**BASIC SWITCH TO 10-PIN CONNECTOR
CIRCUIT DIAGRAM
DIAGRAM SHOWN WITH KEY INSERTED**

NOTES
1 - THE TWO COVER SCREWS ARE COMBINATION DRIVE, THE FOUR HEAD SCREWS ARE T-15 TAMPER PROOF TORX DRIVE (DRIVER BIT IS PROVIDED) 10-PIN CONNECTOR, BRAD HARRISON PART NO. 47205-22 OR EQUIVALENT

CATALOG LISTING **GK SERIES CHART 3** PAGE 8 OF 8
 ISSUE **32** CMH 10 NOV 11 RELEASE NO. PR-23758 REPLACES
 REVISIONS
 L 0083578 MBR 10 NOV 11
 B 206443 JLH 13 SEP 02
 C 206976 JLH 27 NOV 02
 D 207003 GLH 04 DEC 02
 E 207211 TSM 15 JAN 03
 F 207576 TSM 03 MAR 03
 G 0000385 GLH 2 JUN 03
 H 0025008 BNA 21 SEP 06
 J 0047425 TSM 07 JAN 09
 K 0065737 TFS 28 MAY 10
 PTC/CAD 3D
 DRAWN GRT 18 JAN 00 CHECK SAV 18 JAN 00
 ANSI Y14.5M-1982 APPLIES

THIRD ANGLE PROJECTION			
SCALE		NONE	
DO NOT SCALE PRINT			
TOLERANCES			
APPLY TO DESIGN UNITS. CONVERSIONS ARE ONLY FOR REFERENCE. UNLESS NOTED, TOLERANCES ARE :			
	DIW.	TOL	DIW.
	mm	mm/100	"
NO PLACES	F	17,04	F.F
ONE PLACE	F,X	0.41,016	F,FX
TWO PLACES	F,XX	0.157,006	F,XX
THREE PLACES	F,XXX	0.137,005	F,XXX
ANGLES			
SI METRIC		US CUSTOMARY	
DESIGN UNITS <input checked="" type="checkbox"/>		<input type="checkbox"/>	
WEIGHT 0,4 KG / 1LB			

X-ON Electronics

Largest Supplier of Electrical and Electronic Components

Click to view similar products for [Basic / Snap Action Switches](#) category:

Click to view products by [Honeywell](#) manufacturer:

Other Similar products are found below :

[5SM901-S12](#) [5SM9-S12N195](#) [01.098.1358.1](#) [602EN532](#) [602EN535-RB](#) [602HE5-RB1](#) [604HE162](#) [604HE223-6B](#) [624HE17-RB](#) [6HM82](#)
[6HM89](#) [6SE1](#) [6SX1-H58](#) [70500216](#) [70599106](#) [MBD5B1](#) [MBH2731](#) [73-316-0012](#) [EXD-AR20](#) [79211923](#) [79218589](#) [7AS12](#)
[MIL30126AB6BBMD4A12XAU](#) [ML-1155](#) [ML-1376](#) [831010C3.0](#) [831090C2.EL](#) [83131904](#) [84212012](#) [8AS239](#) [8HM73-3](#) [8SX26-H33](#)
[914CE1-6G](#) [PL-100](#) [11SM1077-H4](#) [11SM1077-H58](#) [11SM1-TN107](#) [11SM405](#) [11SM8423-H2](#) [11SX37-T](#) [11SX48-H58](#) [11SM2442-T](#)
[11SM76-T](#) [11SM77-H58](#) [11SM77-T](#) [11SM863-T](#) [11SM866](#) [A7CN-1M-1-LEFT](#) [A831700C7.0](#) [121EN187-R](#)