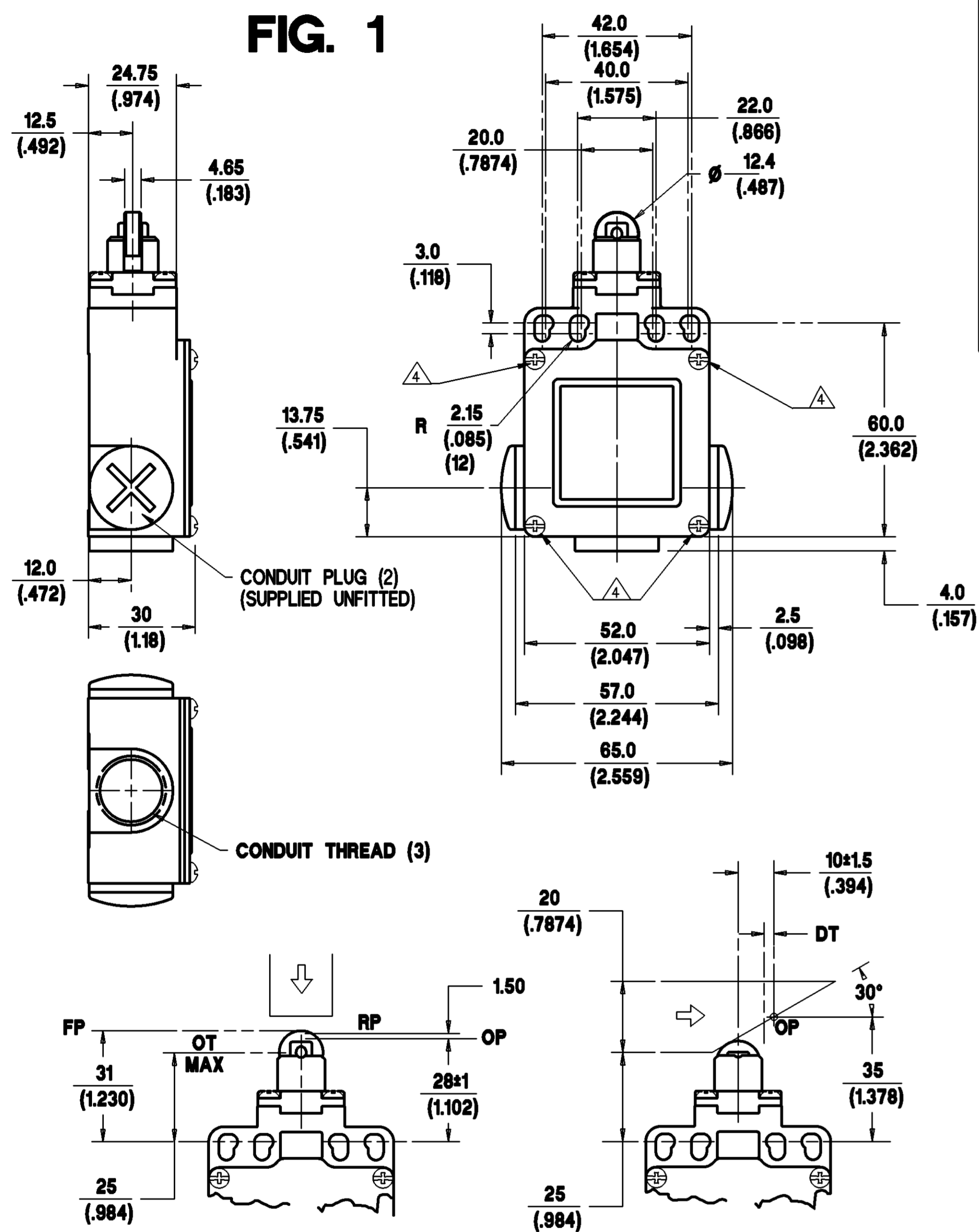


MTG-GL-179
 DRAWING NUMBER
 12
 ISSUE
 RELEASE NUMBER
 AO18-38
 REPLACES
 REVISIONS
 5/9/96
 AO18-276
 6/12/96
 AO18-293
 7/7/97
 CO-000083
 8/8/97
 CO-000106
 9/CO/395
 IW 6/98
 10/CO/769
 IW 12/98
 11/0007574
 TSKR 28SEP04
 12/0037216
 BS 07FEB08

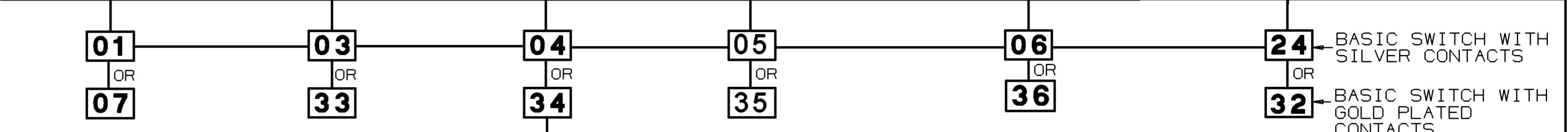
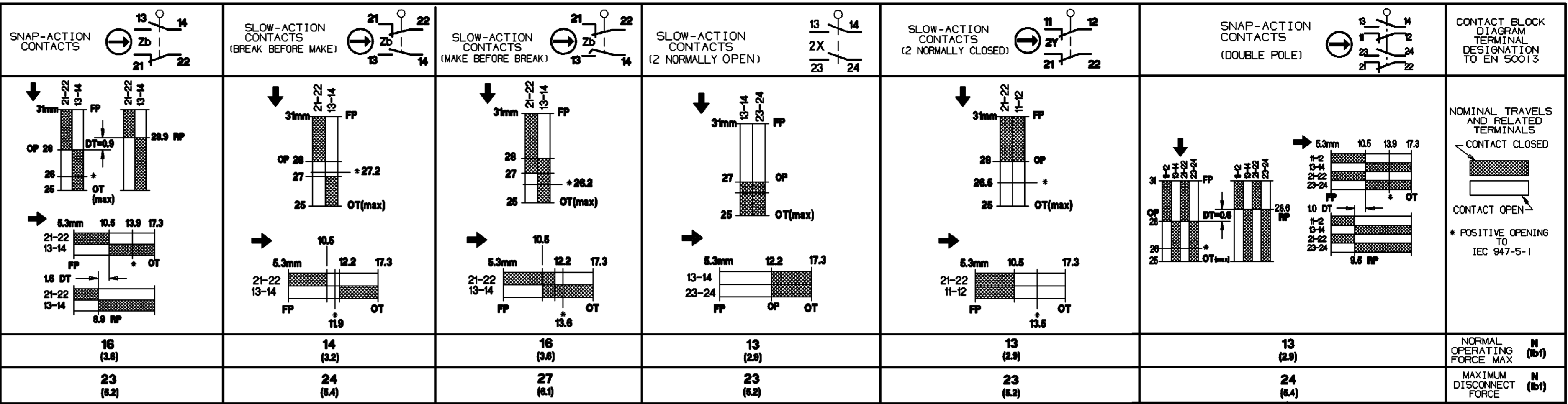
Honeywell
LIMIT SWITCH
 CATALOGUE LISTING
GLS
 CHART NO.
MTG-GL-179

FIG. 1



- NOTES:-
- ZINC DIECAST BODY AND HEAD WITH STEEL COVER. BODY AND COVER FINISHED IN MICRO SWITCH BLUE EPOXY PAINT. HEAD FINISHED IN BLACK EPOXY PAINT.
 - MINIMUM OPERATING VELOCITY (V_{min}) = 1.0 MM/S (THESE LIMITS APPLY TO LINEAR OPERATION AS SHOWN IN THE ABOVE DIAGRAMS ONLY)
 MAXIMUM OPERATING VELOCITY (V_{max}) = 100 MM/S
 MAXIMUM OPERATING FREQUENCY (F_{max}) = 250 OPS/MIN
 - FREE POSITION (FP), OPERATING POINT (OP), OVERTRAVEL (OT) AND PRETRAVEL (PT) ALL TO EN50047.
 - MAXIMUM TIGHTENING TORQUE FOR FIXING SCREW = 0.5Nm (4.4in.LB)
 - CABLED PRODUCTS TEMP RANGE -25°C TO 85°C
 -3°F TO 185°F

NO CHANGES CAN BE MADE TO THIS DRAWING WITHOUT JOINT NEWHOUSE/FREEPORT APPROVAL



BASIC SWITCH
 CONDUIT THREAD (SEE FIGS. 1 & 2)
 EN50047 BODY TYPE
 3 CONDUIT ENTRY (SEE FIG. 1)
 TOP ROLLER ACTUATOR (SEE FIG. 1)
 ROLLER ORIENTATION (SEE FIG. 3)
 MODIFICATION CODE
GLE X XX C - X XXXX

- 1/2" NPT X 14 CONDUIT THREAD ADAPTER
- PG 13.5 CONDUIT THREAD
- M20 X 1.5 CONDUIT THREAD
- PF 1/2 CONDUIT THREAD
- CONNECTOR, 4 PIN MICRO. ONLY AVAILABLE WITH CONDUIT THREAD TYPE 'B'.
- CONNECTOR, 5 PIN MICRO TWIN KEYWAY. ONLY AVAILABLE WITH CONDUIT THREAD TYPE 'B'.
- CONNECTOR, 4 PIN MINI. ONLY AVAILABLE WITH CONDUIT THREAD TYPE 'B'.
- CONNECTOR, 5 PIN MINI. ONLY AVAILABLE WITH CONDUIT THREAD TYPE 'B'.
- CONNECTOR, 5 PIN MICRO. ONLY AVAILABLE WITH CONDUIT THREAD TYPE 'B'.

NOTE:- ANY STANDARD LISTING WITH SUFFIX 'RS' OR 'FE' IS PERMITTED.

FIG. 2

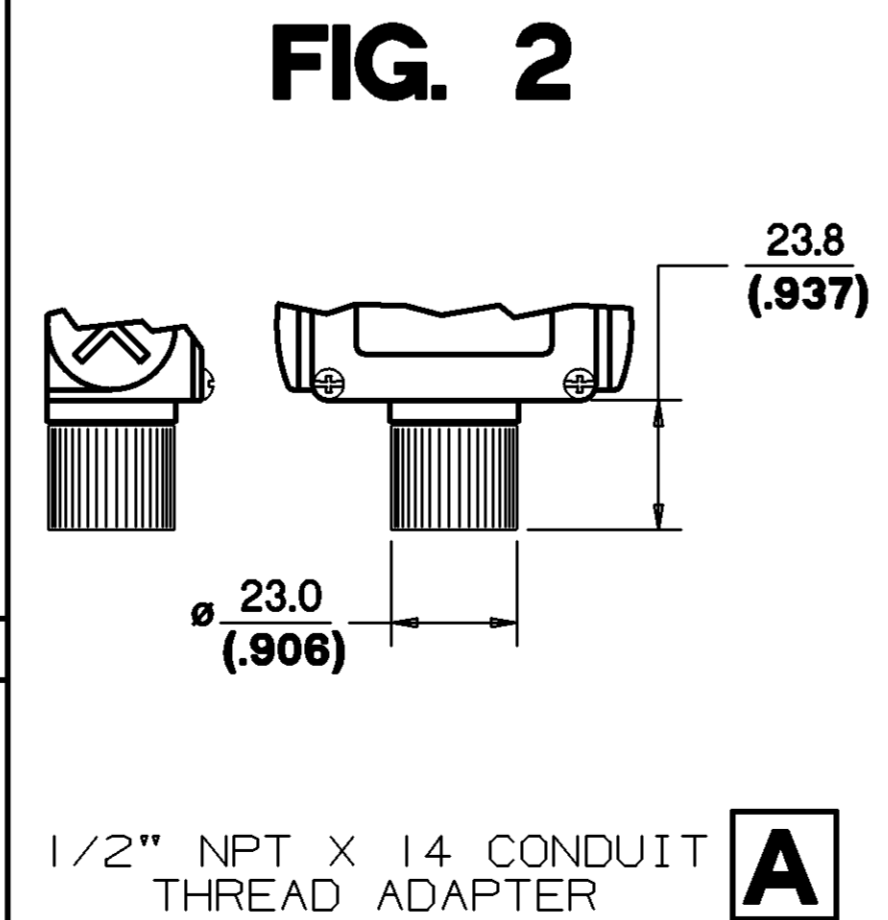
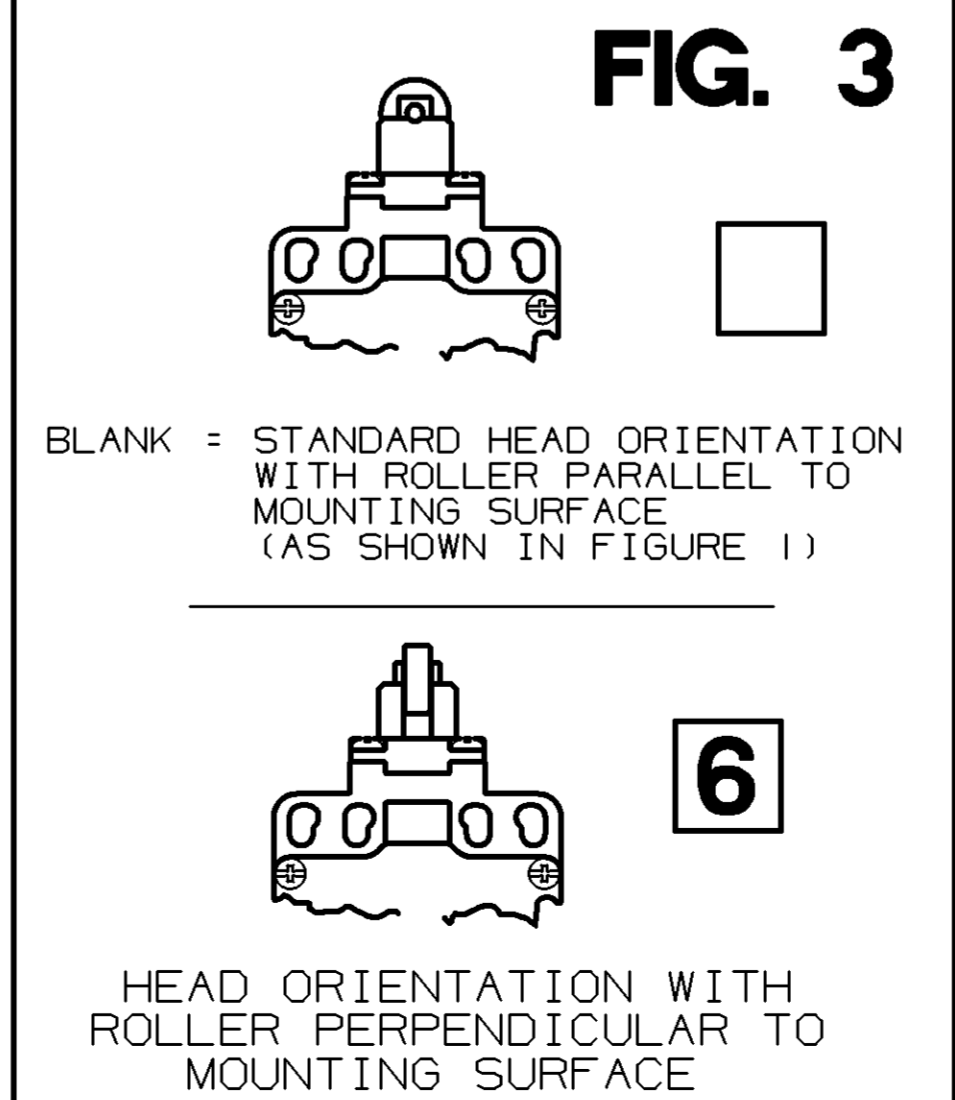


FIG. 3



BLANK = STANDARD HEAD ORIENTATION WITH ROLLER PARALLEL TO MOUNTING SURFACE (AS SHOWN IN FIGURE 1)

HEAD ORIENTATION WITH ROLLER PERPENDICULAR TO MOUNTING SURFACE

NOTE: FOR CONNECTION DIAGRAMS AND ADDITIONAL ELECTRICAL, ENVIRONMENTAL & DIMENSIONAL INFORMATION SEE DRAWING GL-49212.

NOTE:- CABLE AND CONNECTOR WILL BE FITTED TO BOTTOM EXIT CONDUIT ONLY. OTHER OPTIONS CUSTOMER SPECIAL 'N' LISTING.

3/93	3/93	3/93	STANDARD SILVER CONTACTS	GOLD PLATED CONTACTS	ENVIRONMENTAL	APPROVALS
3/93	3/93	3/93	ELECTRICAL RATING	ELECTRICAL RATING	ENVIRONMENTAL	APPROVALS
AC	DC					
A300 AC15 Ue 1e	O300 DC13 Ue 1e				IP66 NEMA 1, 4, 12, 13	
VOLTS AMPS 120 6 240 3	VOLTS AMPS 125 0.55 250 0.27				TEMP RANGE : -40°C TO 85°C -40°F TO 185°F STORAGE : -40°C TO 85°C -40°F TO 185°F	
					SHOCK : 50G PER IEC 68-2-27 VIBRATION : 10G PER IEC 68-2-6	
						IEC 947-5-1 EN50047
DRAWN M. LOCH			SCALE 1:1			MODIFY ON CAD3D SYSTEM ONLY
CHECK I. WEIR			DIMENSIONS ARE IN MM/INCHES.			
DESIGN J. BOYD			THIRD ANGLE PROJECTION			
AUTHORIN P. TRICKETT						

THE COPYRIGHT OF THIS DRAWING IS THE PROPERTY OF HONEYWELL LTD. THE DRAWING IS SUPPLIED IN CONFIDENCE AND MUST NOT BE USED FOR ANY PURPOSE OTHER THAN THAT FOR WHICH IT IS SUPPLIED.

X-ON Electronics

Largest Supplier of Electrical and Electronic Components

Click to view similar products for [Limit Switches](#) category:

Click to view products by [Honeywell](#) manufacturer:

Other Similar products are found below :

[5ML1-E1](#) [5ML31](#) [LZG1](#) [LZL1-6C](#) [622EN114-R](#) [622EN18-6](#) [622EN224-6B](#) [622EN230](#) [622EN237-R](#) [622EN69-3](#) [622EN85-RB](#) [MA-10019](#)
[6PA109](#) [7LS51](#) [83547001](#) [83725002](#) [83830001](#) [83840701](#) [83841001](#) [83881140](#) [8AS42](#) [8LS10](#) [8LS125-4PG](#) [8LS152-4PGN20](#) [914CE16-](#)
[3A](#) [914CE3-3L1](#) [915PA10](#) [91MCE16-P2O](#) [924CE16-Y3](#) [924CE1-S6](#) [924CE1-T25A](#) [924CE1-T3](#) [924CE1-T9A](#) [924CE2-T9](#) [924CE31-Y20-](#)
[X5](#) [924CE31-Y3L1](#) [GL-10054](#) [GLAB26J2B](#) [GLDB03C-6](#) [GLDC05C](#) [GLZ324](#) [PS21R-NT11N7-YK0](#) [H3141CAKAA](#) [RDI-G-L5B](#) [DD-](#)
[10000](#) [DT-2R3-A7](#) [14CE16-3N28](#) [14CE18-N15](#) [151ML3-E1](#) [E3102BAAAA](#)