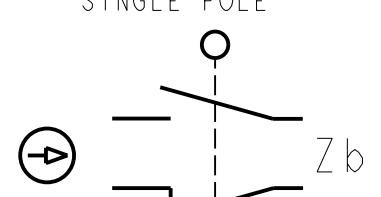
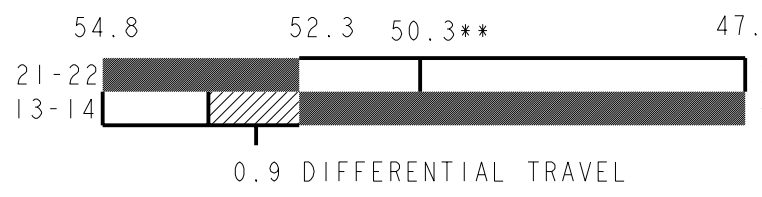
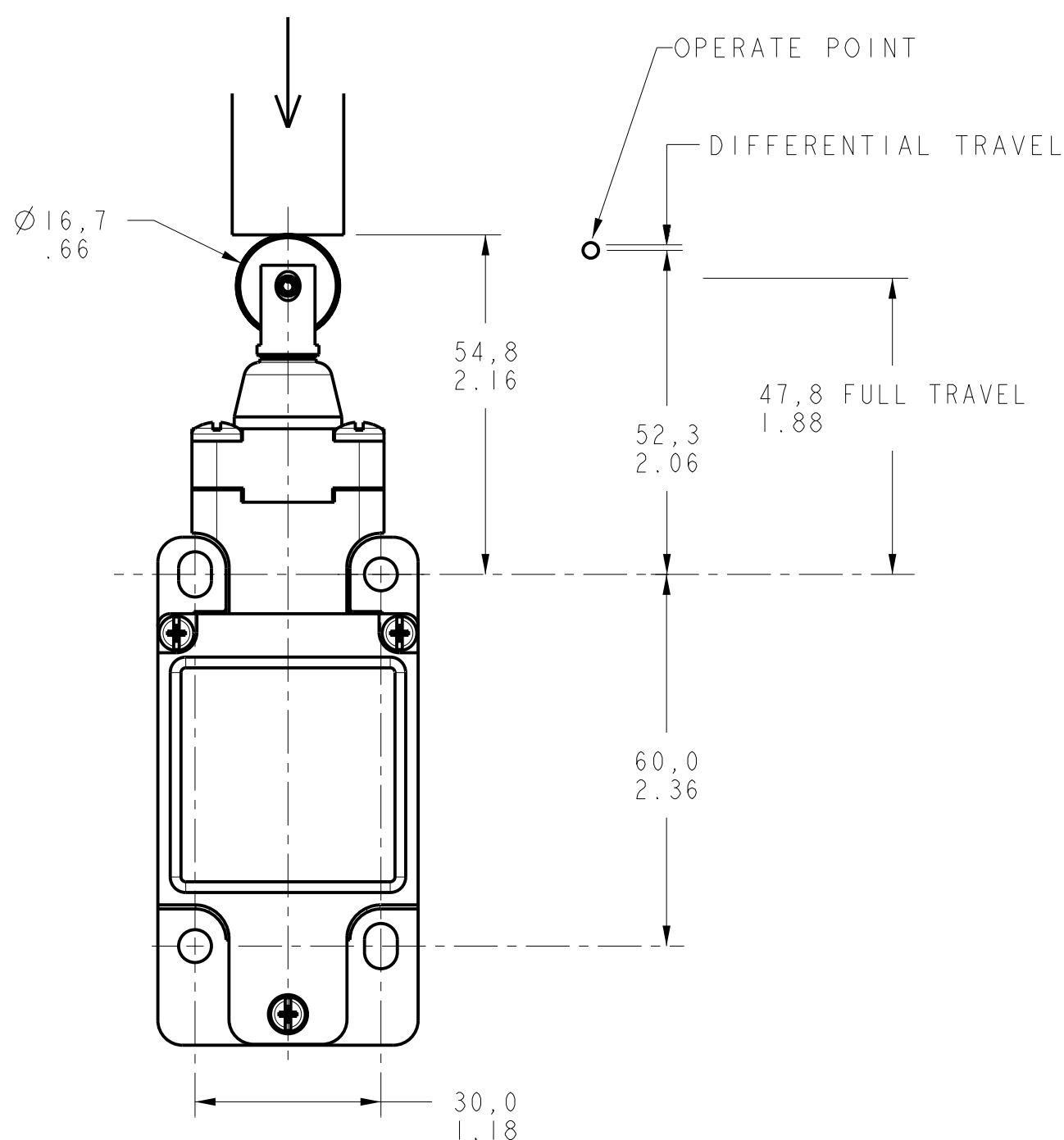


M

GLBA02C-F025

ROLLER PLUNGER HEAD, PIN ACTUATION

CONTACT BLOCK DIAGRAM	NOMINAL TRAVELS AND RELATED TERMINALS <small>■ - CONTACT CLOSED, □ - CONTACT OPEN, ▨ - CONTACT CLOSED DIFFERENTIAL TRAVEL, ** POSITIVE OPENING TO TEC 947-5-1</small>	MAXIMUM OPERATING FORCE <small>$\frac{N}{LB}$</small>	MAXIMUM DISCONNECT FORCE <small>$\frac{N}{LB}$</small>	MAX OPERATE VEL <small>$\frac{M/S}{IN/S}$</small>	MIN OPERATE VEL <small>$\frac{mm/S}{IN/S}$</small>	MAX OPERATE FREQUENCY <small>OPS/MIN</small>
SNAP - ACTION CONTACTS SINGLE POLE 		$\frac{16}{3.6}$	$\frac{27}{6.0}$	$\frac{0.1}{3.9}$	$\frac{1.0}{.04}$	250



GLBA02C-F025
 PAGE 1 OF 1
 RELEASE NO. PR-23262
 REPLACES
 DRAWING NUMBER
 ISSUE
 REVISIONS
 CHECK
 DRAWN
 GLH
 23 SEP 97
 CHECK
 GLH
 10 AUG 98
 CHECK
 PTC/CAD

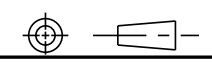
THIS DRAWING COVERS A PROPRIETARY ITEM AND IS THE PROPERTY OF MICRO SWITCH, A DIVISION OF HONEYWELL. THIS DRAWING IS NOT TO BE COPIED OR USED WITHOUT THE APPROVAL OF MICRO SWITCH.

MICRO SWITCH
 a Honeywell Division

SWITCH, ENCLOSED
 CATALOG LISTING
GLBA02C-F025

MASTER REDUCED
 ANSI Y14.5M-1982 APPLIES
 FED. MFG. CODE 91929

THIRD ANGLE PROJECTION



SCALE FULL

DO NOT SCALE PRINT

UNLESS OTHERWISE SPECIFIED TOLERANCES ARE

NO PLACE (0) ± 1 MM
 ONE PLACE (0,0) ± 0,4 MM
 TWO PLACE (0,00) ± 0,15 MM
 ANGLES ±

WEIGHT

X-ON Electronics

Largest Supplier of Electrical and Electronic Components

Click to view similar products for [Limit Switches](#) category:

Click to view products by [Honeywell](#) manufacturer:

Other Similar products are found below :

[5ML1-E1](#) [5ML31](#) [LZG1](#) [LZL1-6C](#) [622EN114-R](#) [622EN18-6](#) [622EN224-6B](#) [622EN230](#) [622EN237-R](#) [622EN69-3](#) [622EN85-RB](#) [MA-10019](#)
[6PA109](#) [7LS51](#) [83547001](#) [83725002](#) [83830001](#) [83840701](#) [83841001](#) [83881140](#) [8AS42](#) [8LS10](#) [8LS125-4PG](#) [8LS152-4PGN20](#) [914CE16-](#)
[3A](#) [914CE3-3L1](#) [915PA10](#) [91MCE16-P2O](#) [924CE16-Y3](#) [924CE1-S6](#) [924CE1-T25A](#) [924CE1-T3](#) [924CE1-T9A](#) [924CE2-T9](#) [924CE31-Y20-](#)
[X5](#) [924CE31-Y3L1](#) [GL-10054](#) [GLAB26J2B](#) [GLDB03C-6](#) [GLDC05C](#) [GLZ324](#) [PS21R-NT11N7-YK0](#) [H3141CAKAA](#) [RDI-G-L5B](#) [DD-](#)
[10000](#) [DT-2R3-A7](#) [14CE16-3N28](#) [14CE18-N15](#) [151ML3-E1](#) [E3102BAAAA](#)