

# MICRO SWITCH

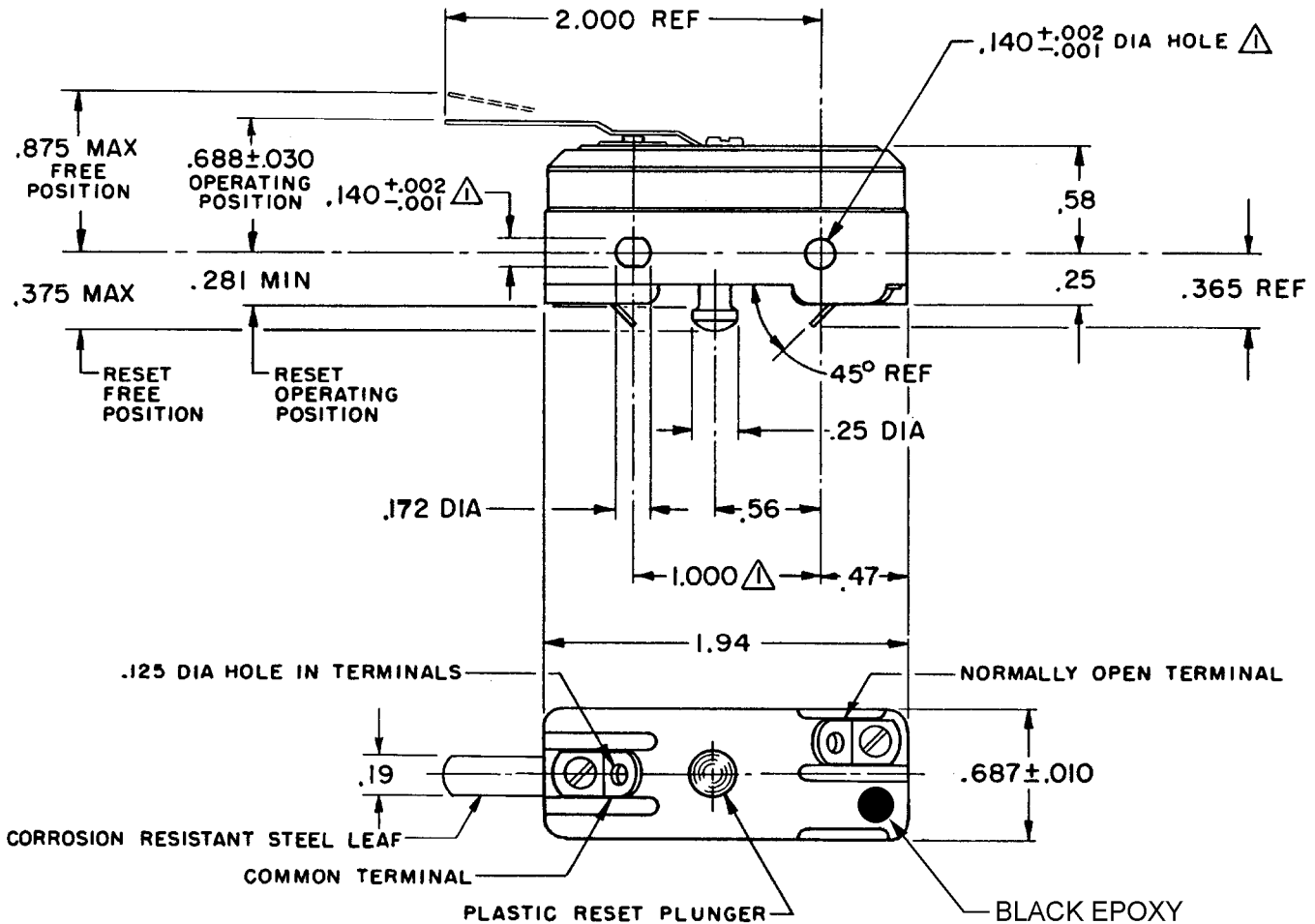
A DIVISION OF MINNEAPOLIS-HONEYWELL REGULATOR COMPANY  
FREEPORT, ILLINOIS

FED. MFG. CODE 91929

## SWITCH - BASIC

CATALOG LISTING

### G - RLX



**NOTE -**

- △ - MOUNTING HOLES WILL ACCEPT PINS OR SCREWS OF .139 MAX DIA ON 1.000 ±.002 CENTERS
- 2 - THIS SWITCH IS AN OBSOLESCENT TYPE AVAILABLE FOR REPLACEMENT ONLY. CONSULT US FOR ALTERNATE IMPROVED TYPES RECOMMENDED FOR NEW APPLICATIONS

THIS DRAWING COVERS A PROPRIETARY ITEM AND IS THE PROPERTY OF MICRO SWITCH, A DIVISION OF MINNEAPOLIS-HONEYWELL REGULATOR CO. THIS DRAWING IS NOT TO BE COPIED OR USED WITHOUT THE APPROVAL OF MICRO SWITCH.

| CHARACTERISTICS  | ELECTRICAL DATA  | SCALE FULL  |
|--|--|---|
| OPERATING FORCE ----- 5 OZ MAX<br>DO NOT OVERTRAVEL MORE THAN ----- .060                   | CONTACT ARRANGEMENT<br>SINGLE POLE NORMALLY OPEN<br>MAINTAINED CONTACT   | DO NOT SCALE PRINT  |
| <b>RESET CHARACTERISTICS</b><br>OPERATING FORCE ----- 2-10 OZ<br>OVERTRAVEL ----- .015 MIN | UNDERWRITERS' LAB. INC. LISTED RATING<br>-L 67-<br>15 A - 125, 250, OR 480 VAC<br>1/4 HP - 125 VAC; 1/2 HP - 250 VAC<br>1/2 A - 125 VDC; 1/4 A - 250 VDC | UNLESS OTHERWISE SPECIFIED<br>DIMENSIONS ARE IN INCHES<br><b>TOLERANCES ARE:</b><br>ONE PLACE (.0) ±.030<br>TWO PLACE (.00) ±.015<br>THREE PLACE (.000) ±.005<br>ANGLES ± |
|  |  | WEIGHT  |

**M G-RLX**  
 DRAWING NUMBER  
**15**  
 ISSUE  
 REVISIONS  
 A CO 16325 GCH 29 JAN 62  
 B CO17410 LEB 29 MAR 63  
 C CO-77592 DAW 15 AUG 94  
 D 0001191 JLH 20 AUG 03  
 CHECK  
 JUNE '62  
 DRAW  
 GCH 29 JAN 62  
 RASTER

G-RLX ISSUE II

REPLACES

RELEASE NO.

CHECK

CHECK

CHECK DAW

DRAWN

## X-ON Electronics

Largest Supplier of Electrical and Electronic Components

*Click to view similar products for [Basic / Snap Action Switches](#) category:*

*Click to view products by [Honeywell](#) manufacturer:*

Other Similar products are found below :

[5SM901-S12](#) [5SM9-S12N195](#) [01.098.1358.1](#) [602EN532](#) [602EN535-RB](#) [602HE5-RB1](#) [604HE162](#) [604HE223-6B](#) [624HE17-RB](#) [6HM82](#)  
[6HM89](#) [6SE1](#) [6SX1-H58](#) [70500216](#) [70599106](#) [MBD5B1](#) [MBH2731](#) [73-316-0012](#) [EXD-AR20](#) [79211923](#) [79218589](#) [7AS12](#)  
[MIL30126AB6BBMD4A12XAU](#) [ML-1155](#) [ML-1376](#) [831010C3.0](#) [831090C2.EL](#) [83131904](#) [84212012](#) [8AS239](#) [8HM73-3](#) [8SX26-H33](#)  
[914CE1-6G](#) [PL-100](#) [11SM1077-H4](#) [11SM1077-H58](#) [11SM1-TN107](#) [11SM405](#) [11SM8423-H2](#) [11SX37-T](#) [11SX48-H58](#) [11SM2442-T](#)  
[11SM76-T](#) [11SM77-H58](#) [11SM77-T](#) [11SM863-T](#) [11SM866](#) [A7CN-1M-1-LEFT](#) [A831700C7.0](#) [121EN187-R](#)