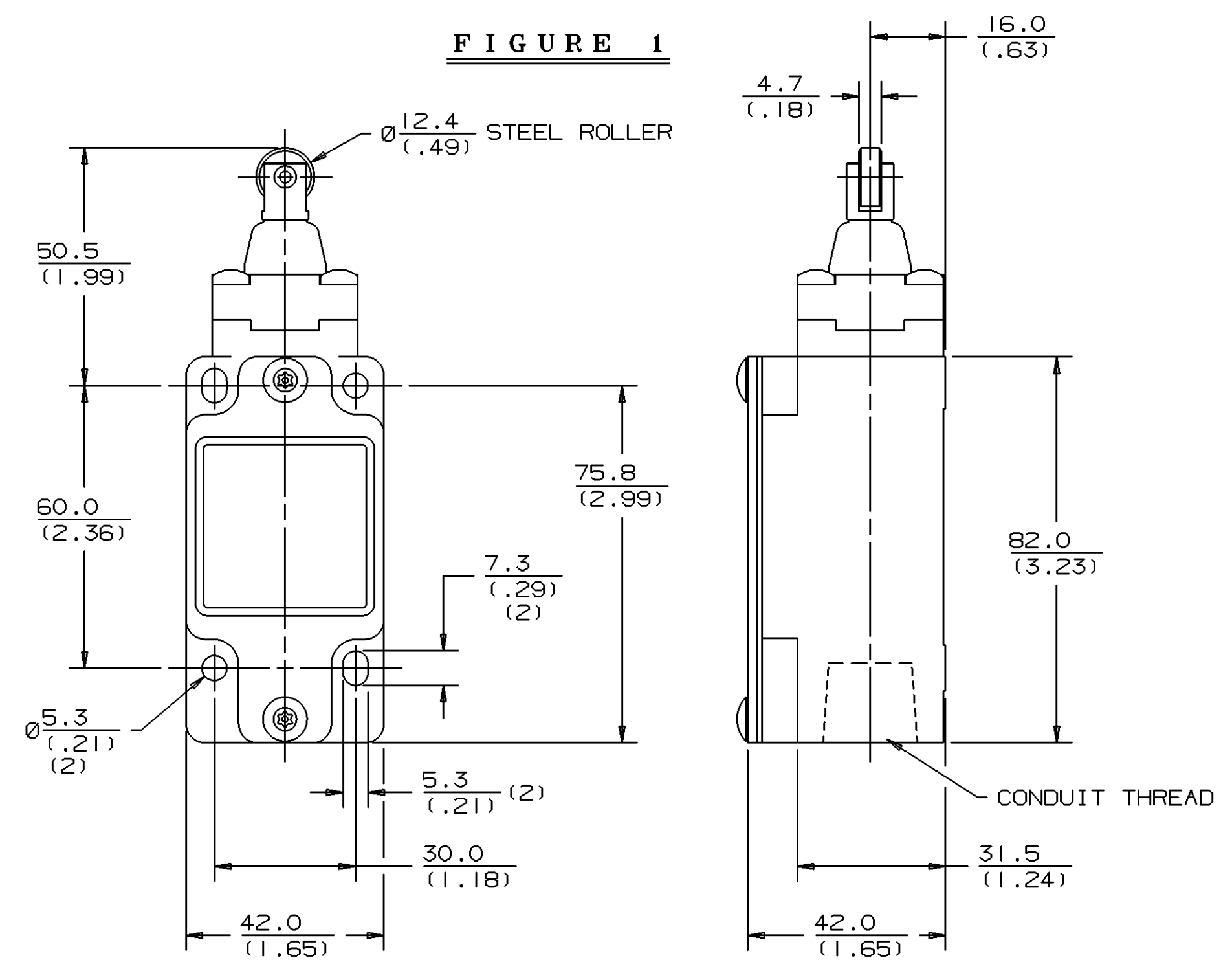


**MTG-GS-248**  
 DO NOT SCALE PRINT  
 REPLACES (M) GS SERIES CHART 1  
 DRAWING NUMBER CO/542  
**4**  
 ISSUE RELEASE NUMBER

**Honeywell**  
**GLOBAL SAFETY SWITCH**  
**MTG-GS-248**  
 CATALOGUE LISTING CHART NO.



REVISIONS  
 2 CO/703  
 IW 11/98  
 3 0022231  
 BNA 31MAY06  
 4 0094575  
 SBH 0906112

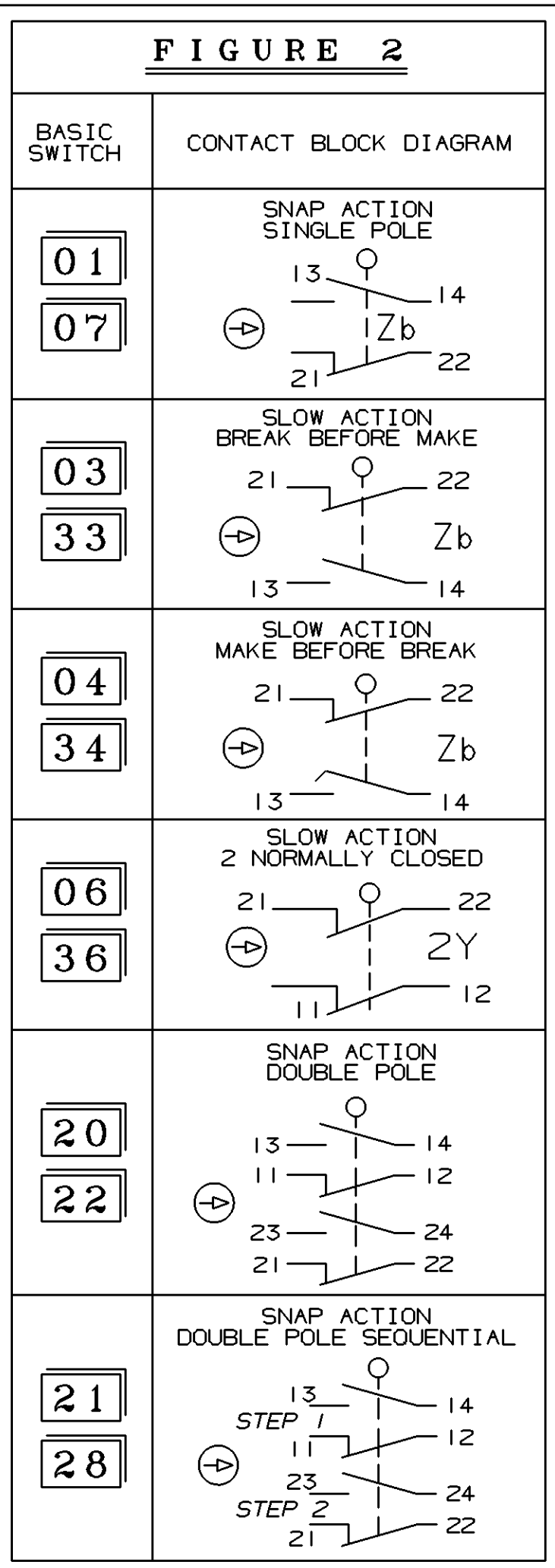
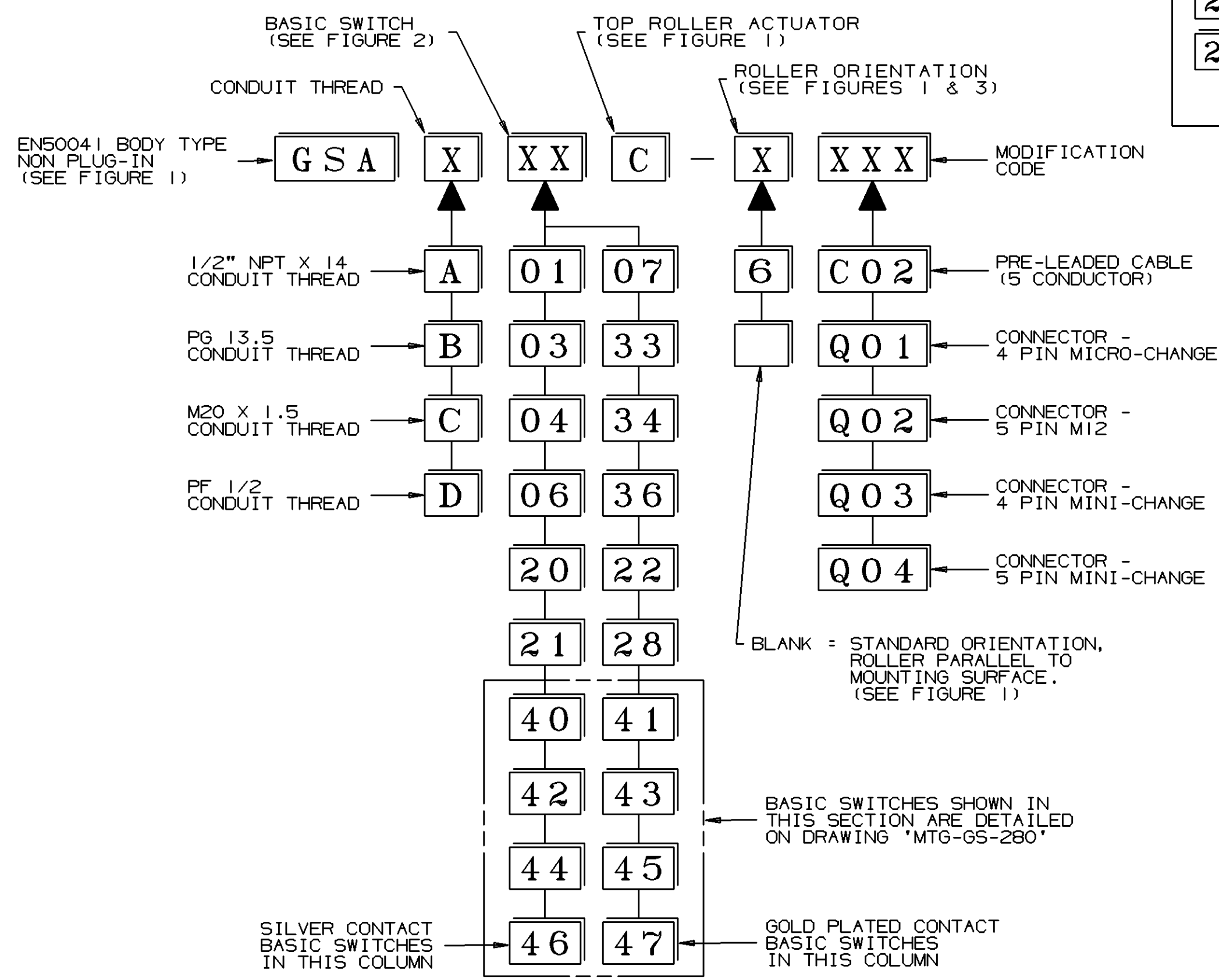


FIGURE 2		CAM ACTUATION PER EN50041		PIN ACTUATION	
BASIC SWITCH	CONTACT BLOCK DIAGRAM	NOMINAL TRAVELS AND RELATED TERMINALS - CONTACT CLOSED □ - CONTACT OPEN ▨ - CONTACT CLOSED DIFFERENTIAL TRAVEL, ** POSITIVE OPENING TO IEC 947-5-1 DIMENSIONS IN mm	MAXIMUM OPERATING FORCE N LB	MAXIMUM DISCONNECT FORCE N LB	NOMINAL TRAVELS AND RELATED TERMINALS - CONTACT CLOSED □ - CONTACT OPEN ▨ - CONTACT CLOSED DIFFERENTIAL TRAVEL, ** POSITIVE OPENING TO IEC 947-5-1 DIMENSIONS IN mm
01 07	SNAP ACTION SINGLE POLE	→ 21-22 13-14 11.3 F.P. 15 18.3** ← 1.8 DIFFERENTIAL TRAVEL	9.3 2.1	15.6 3.5	→ 21-22 13-14 50.5 F.P. 48 46** 43.5 O.T. ← 0.9 DIFFERENTIAL TRAVEL
03 33	SLOW ACTION BREAK BEFORE MAKE	→ 21-22 13-14 11.3 F.P. 15 18.3** 16.8	9.3 2.1	15.6 3.5	→ 21-22 13-14 50.5 F.P. 48 46** 43.5 O.T. 47
04 34	SLOW ACTION MAKE BEFORE BREAK	→ 21-22 13-14 11.3 F.P. 16.8 20.3** 15	9.3 2.1	15.6 3.5	→ 21-22 13-14 50.5 F.P. 47 45** 43.5 O.T. 48
06 36	SLOW ACTION 2 NORMALLY CLOSED	→ 21-22 11-12 11.3 F.P. 15 18.3**	9.3 2.1	15.6 3.5	→ 21-22 11-12 50.5 F.P. 48 46** 43.5 O.T.
20 22	SNAP ACTION DOUBLE POLE	→ 11-12, 21-22 13-14, 23-24 11.3 F.P. 15 18.3** ← 1.8 DIFFERENTIAL TRAVEL	9.3 2.1	21.4 4.8	→ 11-12, 21-22 13-14, 23-24 50.5 F.P. 48 46** 43.5 O.T. ← 0.9 DIFFERENTIAL TRAVEL
21 28	SNAP ACTION DOUBLE POLE SEQUENTIAL	→ 11-12 13-14 21-22 23-24 11.3 F.P. 15 18.3** ← 1.4 DIFFERENTIAL TRAVEL 16.9 20.3** ← 1.4 DIFFERENTIAL TRAVEL	9.3 2.1	15.6 3.5	→ 11-12 13-14 21-22 23-24 50.5 F.P. 48 46** 43.5 O.T. ← 0.8 DIFFERENTIAL TRAVEL 46.8 44.8** ← 0.8 DIFFERENTIAL TRAVEL

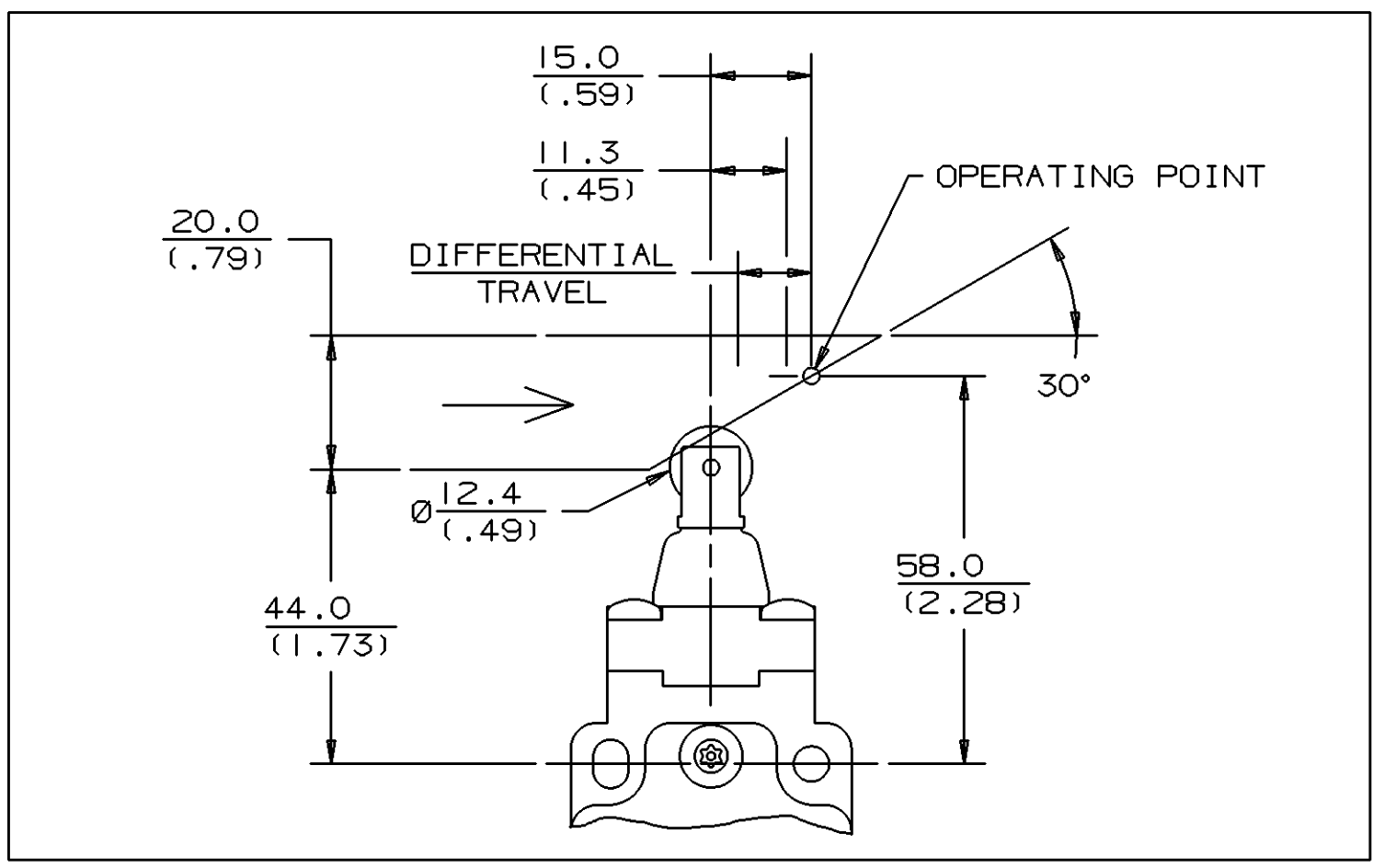
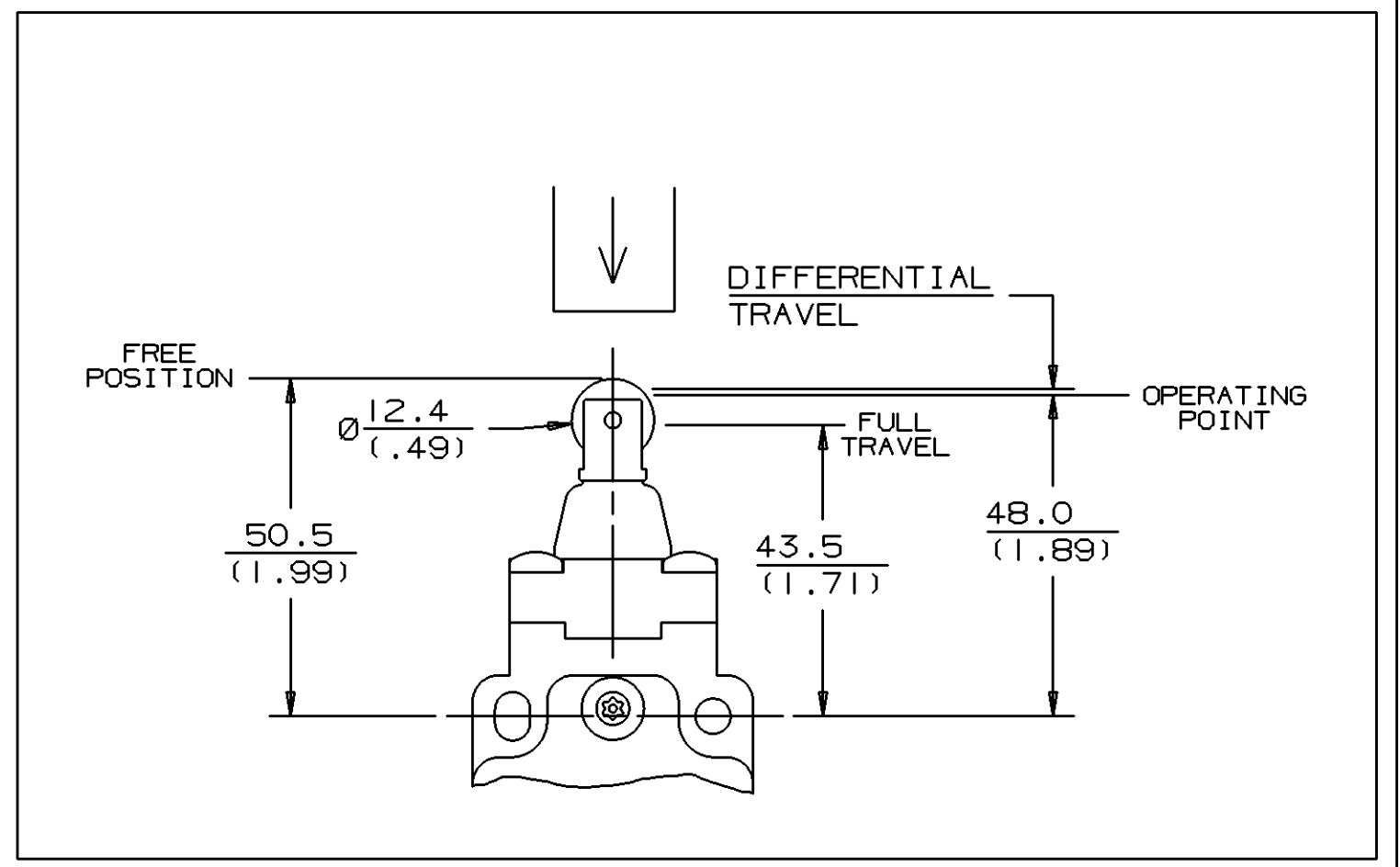


FIGURE 2		CAM ACTUATION PER EN50041		PIN ACTUATION	
BASIC SWITCH	CONTACT BLOCK DIAGRAM	NOMINAL TRAVELS AND RELATED TERMINALS - CONTACT CLOSED □ - CONTACT OPEN ▨ - CONTACT CLOSED DIFFERENTIAL TRAVEL, ** POSITIVE OPENING TO IEC 947-5-1 DIMENSIONS IN mm	MAXIMUM OPERATING FORCE N LB	MAXIMUM DISCONNECT FORCE N LB	NOMINAL TRAVELS AND RELATED TERMINALS - CONTACT CLOSED □ - CONTACT OPEN ▨ - CONTACT CLOSED DIFFERENTIAL TRAVEL, ** POSITIVE OPENING TO IEC 947-5-1 DIMENSIONS IN mm
01 07	SNAP ACTION SINGLE POLE	→ 21-22 13-14 11.3 F.P. 15 18.3** ← 1.8 DIFFERENTIAL TRAVEL	9.3 2.1	15.6 3.5	→ 21-22 13-14 50.5 F.P. 48 46** 43.5 O.T. ← 0.9 DIFFERENTIAL TRAVEL
03 33	SLOW ACTION BREAK BEFORE MAKE	→ 21-22 13-14 11.3 F.P. 15 18.3** 16.8	9.3 2.1	15.6 3.5	→ 21-22 13-14 50.5 F.P. 48 46** 43.5 O.T. 47
04 34	SLOW ACTION MAKE BEFORE BREAK	→ 21-22 13-14 11.3 F.P. 16.8 20.3** 15	9.3 2.1	15.6 3.5	→ 21-22 13-14 50.5 F.P. 47 45** 43.5 O.T. 48
06 36	SLOW ACTION 2 NORMALLY CLOSED	→ 21-22 11-12 11.3 F.P. 15 18.3**	9.3 2.1	15.6 3.5	→ 21-22 11-12 50.5 F.P. 48 46** 43.5 O.T.
20 22	SNAP ACTION DOUBLE POLE	→ 11-12, 21-22 13-14, 23-24 11.3 F.P. 15 18.3** ← 1.8 DIFFERENTIAL TRAVEL	9.3 2.1	21.4 4.8	→ 11-12, 21-22 13-14, 23-24 50.5 F.P. 48 46** 43.5 O.T. ← 0.9 DIFFERENTIAL TRAVEL
21 28	SNAP ACTION DOUBLE POLE SEQUENTIAL	→ 11-12 13-14 21-22 23-24 11.3 F.P. 15 18.3** ← 1.4 DIFFERENTIAL TRAVEL 16.9 20.3** ← 1.4 DIFFERENTIAL TRAVEL	9.3 2.1	15.6 3.5	→ 11-12 13-14 21-22 23-24 50.5 F.P. 48 46** 43.5 O.T. ← 0.8 DIFFERENTIAL TRAVEL 46.8 44.8** ← 0.8 DIFFERENTIAL TRAVEL



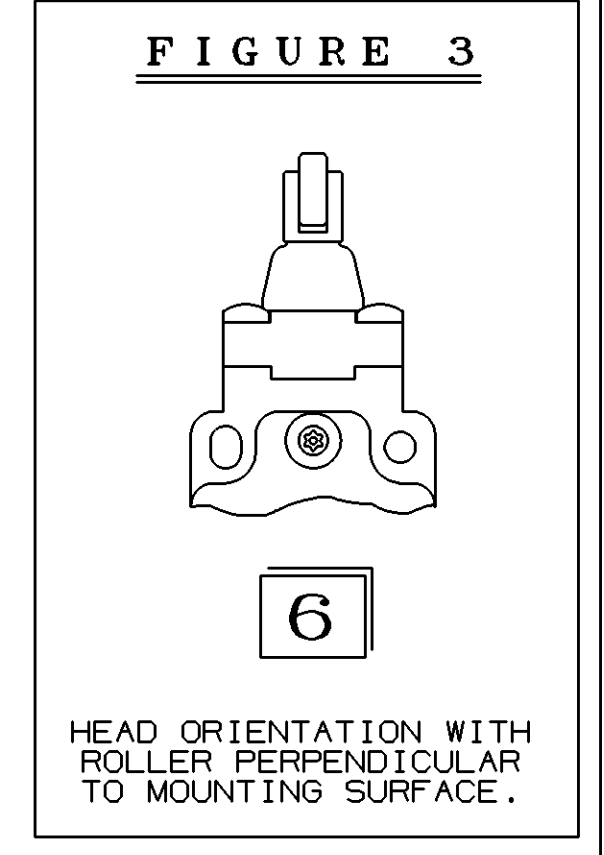
MIN. OPERATING VELOCITY = 1.7mm/S (0.067in/S)  
 MAX. OPERATING VELOCITY = 0.17M/S (6.7in/S)  
 MAX. OPERATING FREQUENCY = 250 OPS/MINUTE

MIN. OPERATING VELOCITY = 1.0mm/S (0.04in/S)  
 MAX. OPERATING VELOCITY = 0.1M/S (3.9in/S)  
 MAX. OPERATING FREQUENCY = 250 OPS/MINUTE

IEC 947-5-1 ELECTRICAL RATING				GOLD PLATED CONTACTS	ENVIRONMENTAL	APPROVALS
SILVER CONTACTS				I <sub>th</sub> = 10A	IP67 NEMA/UL 1, 4, 12, 13	UL
AC		AC (FOR 2NC)				
A600 Ue	AC15 Ie	A300 Ue	AC15 Ie	1V 10μA MIN.	SHOCK : 50G PER IEC 68-2-27 VIBRATION : 10G PER IEC 68-2-6	IEC 947-5-1 EN50041
120 240 380 480 500 600	6 3 1.5 1.4 1.2	120 240	6 3			
DC		DC13				
Ue	Ie	Ue	Ie			
24 125 250	2.8 0.55 0.27					

- NOTES:-
- RED EPOXY PAINT FINISHED ZINC DIE-CAST BODY AND STEEL COVER. BLACK EPOXY PAINT FINISHED ZINC DIE-CAST HEAD.
  - FREE POSITION (F.P.), OPERATING POINT, OVERTRAVEL (O.T.) AND PRETRAVEL ALL TO EN50041.
  - ANY STANDARD LISTING WITH SUFFIX 'RS' OR 'FE' IS PERMITTED.
  - FOR CONNECTION DIAGRAMS AND ADDITIONAL ELECTRICAL, DIMENSIONAL AND ENVIRONMENTAL INFORMATION REFER TO DRAWING GL-49212.
  - HEAD AND COVER FIXED WITH TORX® SOCKET HEAD SCREWS (DRIVER SUPPLIED).

NO CHANGES CAN BE MADE TO THIS DRAWING WITHOUT JOINT NEWHOUSE/FREEPORT APPROVAL



7/98  
 I. WEIR  
 CHECK  
 DESIGN  
 AUTHOR: N

THE COPYRIGHT OF THIS DRAWING IS THE PROPERTY OF HONEYWELL LTD. THE DRAWING IS SUPPLIED IN CONFIDENCE AND MUST NOT BE USED FOR ANY PURPOSE OTHER THAN THAT FOR WHICH IT IS SUPPLIED.  
 THIRD ANGLE PROJECTION  
 SCALE:- 1/1  
 DIMENSIONS ARE IN (INCHES)  
 MODIFY ON CAD SYSTEM ONLY

## X-ON Electronics

Largest Supplier of Electrical and Electronic Components

*Click to view similar products for [Limit Switches](#) category:*

*Click to view products by [Honeywell](#) manufacturer:*

Other Similar products are found below :

[5ML1-E1](#) [5ML31](#) [LZG1](#) [LZL1-6C](#) [622EN114-R](#) [622EN18-6](#) [622EN224-6B](#) [622EN230](#) [622EN237-R](#) [622EN69-3](#) [622EN85-RB](#) [MA-10019](#)  
[6PA109](#) [7LS51](#) [83547001](#) [83725002](#) [83830001](#) [83840701](#) [83841001](#) [83881140](#) [8AS42](#) [8LS10](#) [8LS125-4PG](#) [8LS152-4PGN20](#) [914CE16-](#)  
[3A](#) [914CE3-3L1](#) [915PA10](#) [91MCE16-P2O](#) [924CE16-Y3](#) [924CE1-S6](#) [924CE1-T25A](#) [924CE1-T3](#) [924CE1-T9A](#) [924CE2-T9](#) [924CE31-Y20-](#)  
[X5](#) [924CE31-Y3L1](#) [GL-10054](#) [GLAB26J2B](#) [GLDB03C-6](#) [GLDC05C](#) [GLZ324](#) [PS21R-NT11N7-YK0](#) [H3141CAKAA](#) [RDI-G-L5B](#) [DD-](#)  
[10000](#) [DT-2R3-A7](#) [14CE16-3N28](#) [14CE18-N15](#) [151ML3-E1](#) [E3102BAAAA](#)