

MTG-GS-251

ISSUE 3

REVISIONS

2	CO#703
IW	11/98
3	CO#1315
IW	2/00

DO NOT SCALE PRINT

REPLACES (M) GS SERIES CHART 1

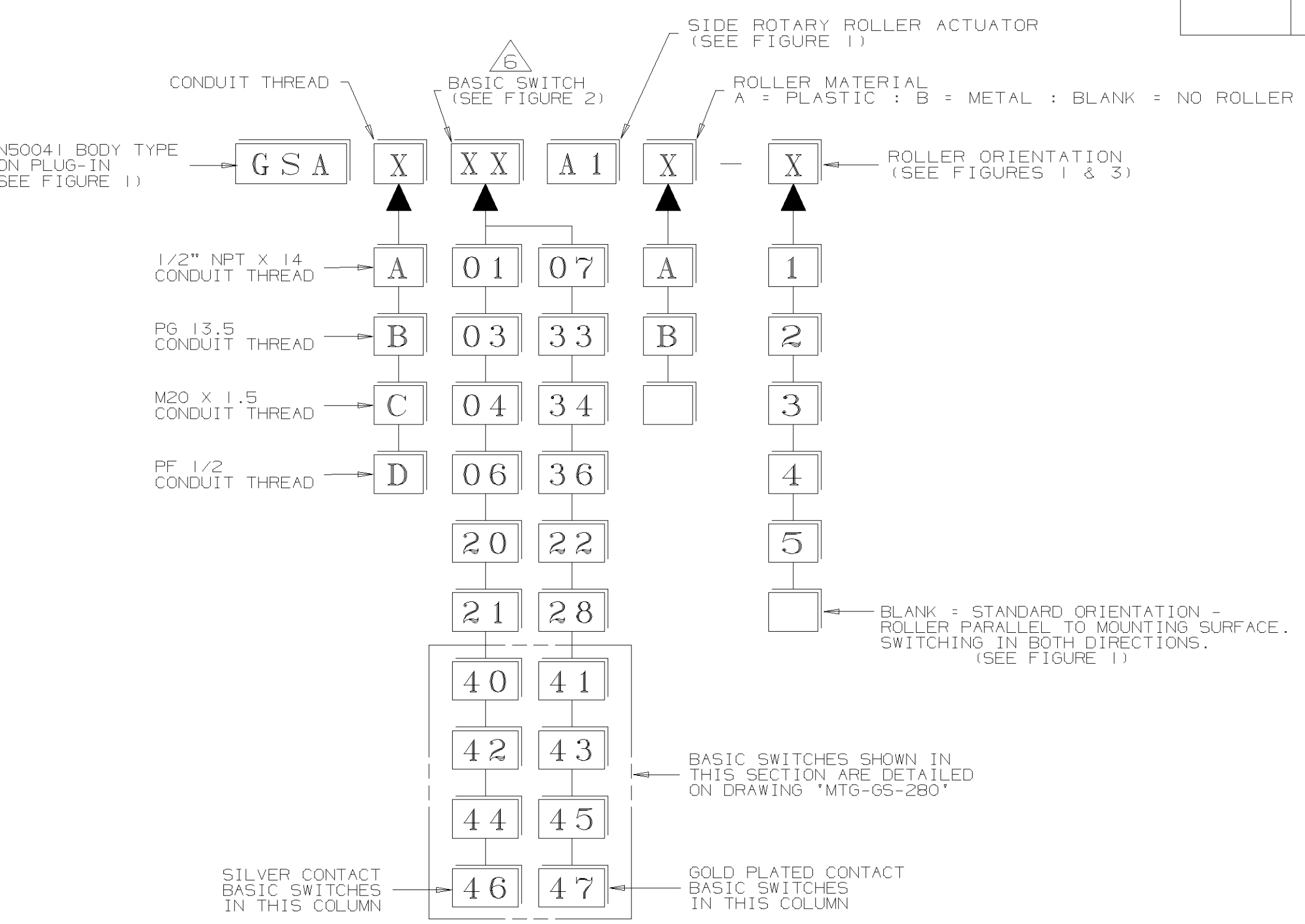
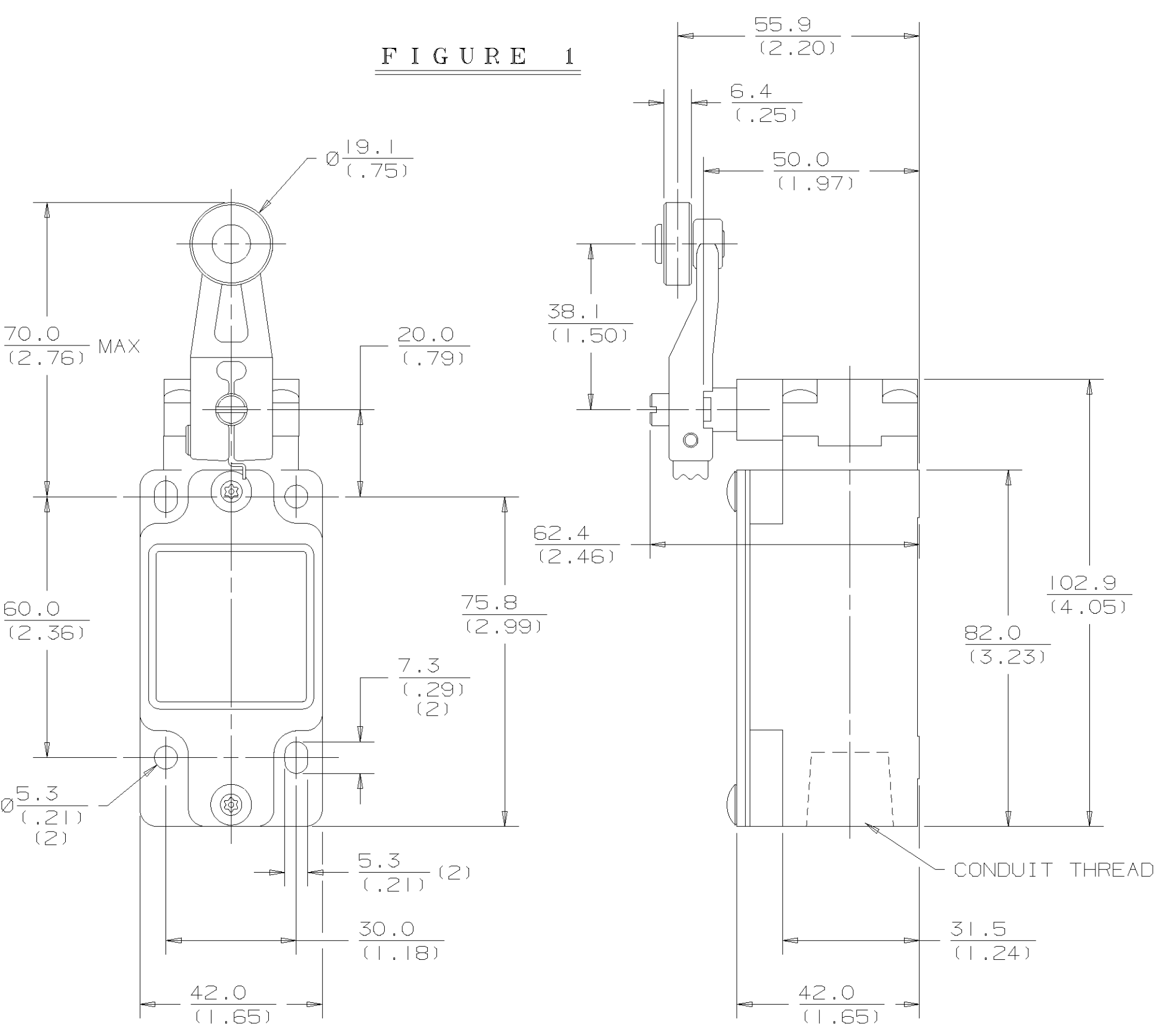
DRAWING NUMBER CO/542

RELEASE NUMBER

Honeywell

GLOBAL SAFETY SWITCH MTG-GS-251

CATALOGUE LISTING CHART NO.



IEC 947-5-1 ELECTRICAL RATING					GOLD PLATED CONTACTS		ENVIRONMENTAL		APPROVALS																																																					
SILVER CONTACTS					I _{th} = 10A	IP67	NEMA/UL 1, 4, 12, 13	CE	UL	BG																																																				
<table border="1"> <tr> <th colspan="2">AC</th> <th colspan="2">AC (FOR 2NC)</th> <th colspan="2">DC</th> </tr> <tr> <th>A600</th> <th>AC15</th> <th>A500</th> <th>AC15</th> <th>O300</th> <th>DC13</th> </tr> <tr> <td>U_e</td> <td>I_e</td> <td>U_e</td> <td>I_e</td> <td>U_e</td> <td>I_e</td> </tr> <tr> <td>120</td> <td>6</td> <td>120</td> <td>6</td> <td>24</td> <td>2.8</td> </tr> <tr> <td>240</td> <td>3</td> <td>240</td> <td>3</td> <td>125</td> <td>0.55</td> </tr> <tr> <td>380</td> <td>1.5</td> <td>380</td> <td>1.5</td> <td>250</td> <td>0.27</td> </tr> <tr> <td>480</td> <td>1.0</td> <td>480</td> <td>1.0</td> <td></td> <td></td> </tr> <tr> <td>500</td> <td>1.4</td> <td>500</td> <td>1.4</td> <td></td> <td></td> </tr> <tr> <td>600</td> <td>1.2</td> <td></td> <td></td> <td></td> <td></td> </tr> </table>											AC		AC (FOR 2NC)		DC		A600	AC15	A500	AC15	O300	DC13	U _e	I _e	U _e	I _e	U _e	I _e	120	6	120	6	24	2.8	240	3	240	3	125	0.55	380	1.5	380	1.5	250	0.27	480	1.0	480	1.0			500	1.4	500	1.4			600	1.2		
AC		AC (FOR 2NC)		DC																																																										
A600	AC15	A500	AC15	O300	DC13																																																									
U _e	I _e	U _e	I _e	U _e	I _e																																																									
120	6	120	6	24	2.8																																																									
240	3	240	3	125	0.55																																																									
380	1.5	380	1.5	250	0.27																																																									
480	1.0	480	1.0																																																											
500	1.4	500	1.4																																																											
600	1.2																																																													
VOLTS AMPS					50V 100mA MAX.	STORAGE : -40°C TO 85°C -40°F TO 185°F	EN50041																																																							

FIGURE 2

BASIC SWITCH

CONTACT BLOCK DIAGRAM

LEGEND:

- 01 SNAP ACTION SINGLE POLE
- 07
- 03 SLOW ACTION BREAK BEFORE MAKE
- 33
- 04 SLOW ACTION MAKE BEFORE BREAK
- 34
- 06 SLOW ACTION 2 NORMALLY CLOSED
- 36
- 20 SNAP ACTION DOUBLE POLE
- 22
- 21 SNAP ACTION DOUBLE POLE SEQUENTIAL
- 28

CAM ACTUATION PER EN50041

NOMINAL TRAVELS AND RELATED TERMINALS

MAXIMUM OPERATING FORCE N/LB

MAXIMUM DISCONNECT FORCE N/LB

LEGEND: - CONTACT CLOSED, □ - CONTACT OPEN, ▨ - CONTACT CLOSED DIFFERENTIAL TRAVEL, ** POSITIVE OPENING TO IEC 947-5-1 DIMENSIONS IN mm

01	21-22	13-14	20	56**	9.7	11.4
07	21-22	13-14	20	56**	2.2	2.6
03	21-22	13-14	20	32**	9.7	11.4
33	21-22	13-14	20	32	2.2	2.6
04	21-22	13-14	20	45**	9.7	11.4
34	21-22	13-14	20	45**	2.2	2.6
06	21-22	11-12	20	32**	9.7	11.4
36	21-22	11-12	20	32**	2.2	2.6
20	11-12, 21-22	13-14, 23-24	20	56**	9.7	11.8
22	11-12, 21-22	13-14, 23-24	20	56**	2.2	2.7
21	11-12, 13-14, 21-22, 23-24	11-12, 13-14, 21-22, 23-24	20	56**	9.7	N/A
28	11-12, 13-14, 21-22, 23-24	11-12, 13-14, 21-22, 23-24	20	56**	2.2	N/A

ANGULAR ACTUATION

NOMINAL TRAVELS AND RELATED TERMINALS

MAXIMUM OPERATING TORQUE NM/LB-IN

MAXIMUM DISCONNECT TORQUE NM/LB-IN

LEGEND: - CONTACT CLOSED, □ - CONTACT OPEN, ▨ - CONTACT CLOSED DIFFERENTIAL TRAVEL, ** POSITIVE OPENING TO IEC 947-5-1 DIMENSIONS IN mm

01	21-22	13-14	26°	55°**	85° O.T.	.330	.385
07	21-22	13-14	26°	55°**	85° O.T.	2.9	3.4
03	21-22	13-14	26°	38°**	85° O.T.	.330	.385
33	21-22	13-14	26°	38°**	85° O.T.	2.9	3.4
04	21-22	13-14	26°	38°**	85° O.T.	.330	.385
34	21-22	13-14	26°	38°**	85° O.T.	2.9	3.4
06	21-22	11-12	26°	38°**	85° O.T.	.330	.385
36	21-22	11-12	26°	38°**	85° O.T.	2.9	3.4
20	11-12, 21-22	13-14, 23-24	26°	55°**	85° O.T.	.330	.400
22	11-12, 21-22	13-14, 23-24	26°	55°**	85° O.T.	2.9	3.5
21	11-12, 13-14, 21-22, 23-24	11-12, 13-14, 21-22, 23-24	27°	55°**	85° O.T.	.330	N/A
28	11-12, 13-14, 21-22, 23-24	11-12, 13-14, 21-22, 23-24	27°	55°**	85° O.T.	2.9	N/A

MIN. OPERATING VELOCITY = 8.5mm/S (0.33in/S)

MAX. OPERATING VELOCITY = 0.85M/S (33.5in/S)

MAX. OPERATING FREQUENCY = 250 OPS/MINUTE

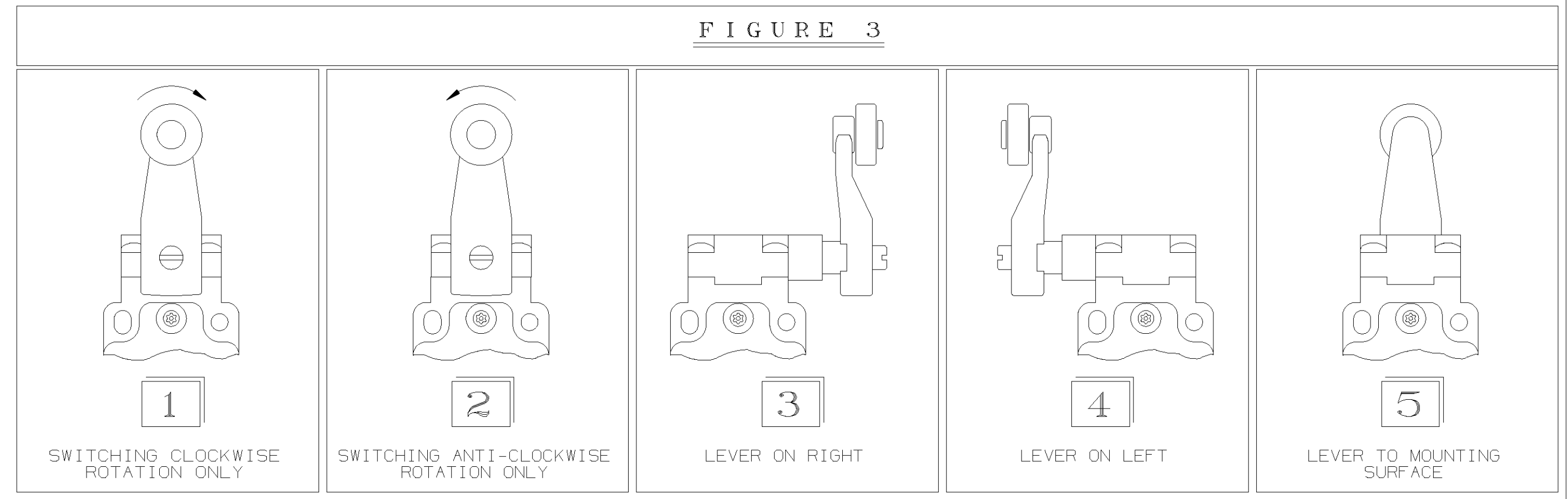
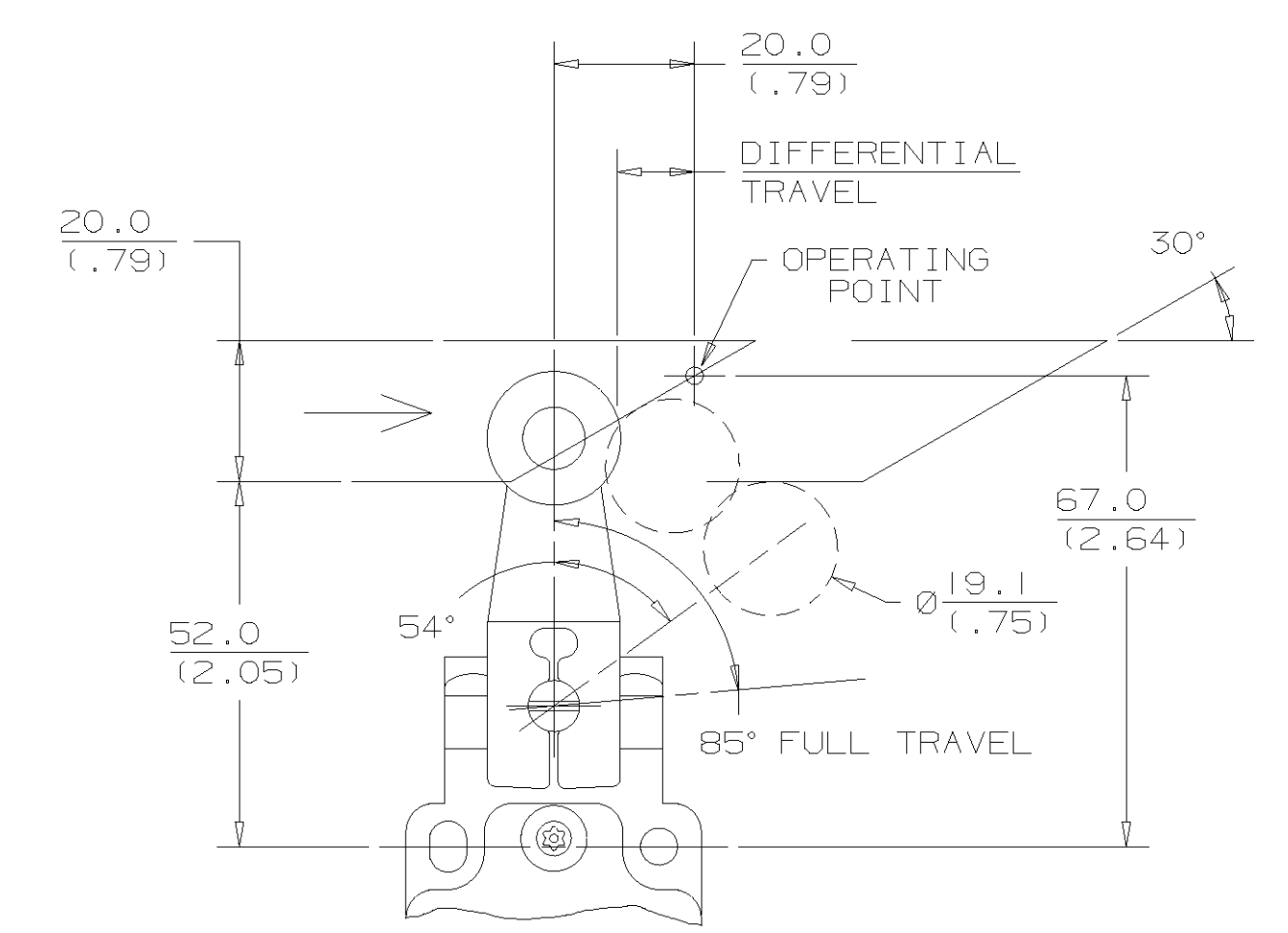
MIN. OPERATING ACTUATION = 13°/SECOND

MAX. OPERATING ACTUATION = 1290°/SECOND

MAX. OPERATING FREQUENCY = 250 OPS/MINUTE

- NOTES:-**
- RED EPOXY PAINT FINISHED ZINC DIE-CAST BODY AND STEEL COVER. BLACK EPOXY PAINT FINISHED ZINC DIE-CAST HEAD.
 - FREE POSITION (F.P.), OPERATING POINT, OVERTRAVEL (O.T.) AND PRETRAVEL ALL TO EN50041.
 - ANY STANDARD LISTING WITH SUFFIX 'RS' OR 'FE' IS PERMITTED.
 - LEVERS MAY BE ATTACHED TO THE SHAFT AT 90° INCREMENTS. THEY MAY ALSO BE ATTACHED, BUT NOT KEYPED, ANYWHERE ON THE SHAFT.
 - HEAD AND COVER FIXED WITH TORX® SOCKET HEAD SCREWS (DRIVER SUPPLIED).
 - BG** APPROVAL APPLIES TO ALL LISTINGS EXCEPT THOSE CONTAINING BASIC SWITCHES 20, 22, 21 & 28.

NO CHANGES CAN BE MADE TO THIS DRAWING WITHOUT JOINT NEWHOUSE/FREEPORT APPROVAL



DRAWN 7/98

CHECK

DESIGN

AUTHOR: N

THE COPYRIGHT OF THIS DRAWING IS THE PROPERTY OF HONEYWELL LTD. THE DRAWING IS SUPPLIED IN CONFIDENCE AND MUST NOT BE USED FOR ANY PURPOSE OTHER THAN THAT FOR WHICH IT IS SUPPLIED.

THIRD ANGLE PROJECTION

SCALE: - 1/1

DIMENSIONS ARE IN (INCHES)

MM (INCHES)

MODIFY ON CAD SYSTEM ONLY

X-ON Electronics

Largest Supplier of Electrical and Electronic Components

Click to view similar products for [Basic / Snap Action Switches](#) category:

Click to view products by [Honeywell](#) manufacturer:

Other Similar products are found below :

[5SM901-S12](#) [5SM9-S12N195](#) [602EN532](#) [602EN535-RB](#) [602HE5-RB1](#) [604HE162](#) [604HE223-6B](#) [624HE17-RB](#) [6HM82](#) [6HM89](#) [6SE1](#)
[6SX1-H58](#) [70500216](#) [70599106](#) [MBD5B1](#) [MBH2731](#) [73-316-0012](#) [EXD-AR20](#) [79211923](#) [79218589](#) [7AS12](#)
[MIL30126AB6BBMD4A12XAU](#) [ML-1155](#) [ML-1376](#) [831010C3.0](#) [831090C2.EL](#) [83131904](#) [84212012](#) [8AS239](#) [8HM73-3](#) [8SX26-H33](#)
[914CE1-6G](#) [PL-100](#) [11SM1077-H4](#) [11SM1077-H58](#) [11SM1-TN107](#) [11SM405](#) [11SM8423-H2](#) [11SX37-T](#) [11SX48-H58](#) [11SM2442-T](#)
[11SM76-T](#) [11SM77-H58](#) [11SM77-T](#) [11SM863-T](#) [11SM866](#) [A7CN-1M-1-LEFT](#) [A831700C7.0](#) [121EN187-R](#) [121EN188-R](#)