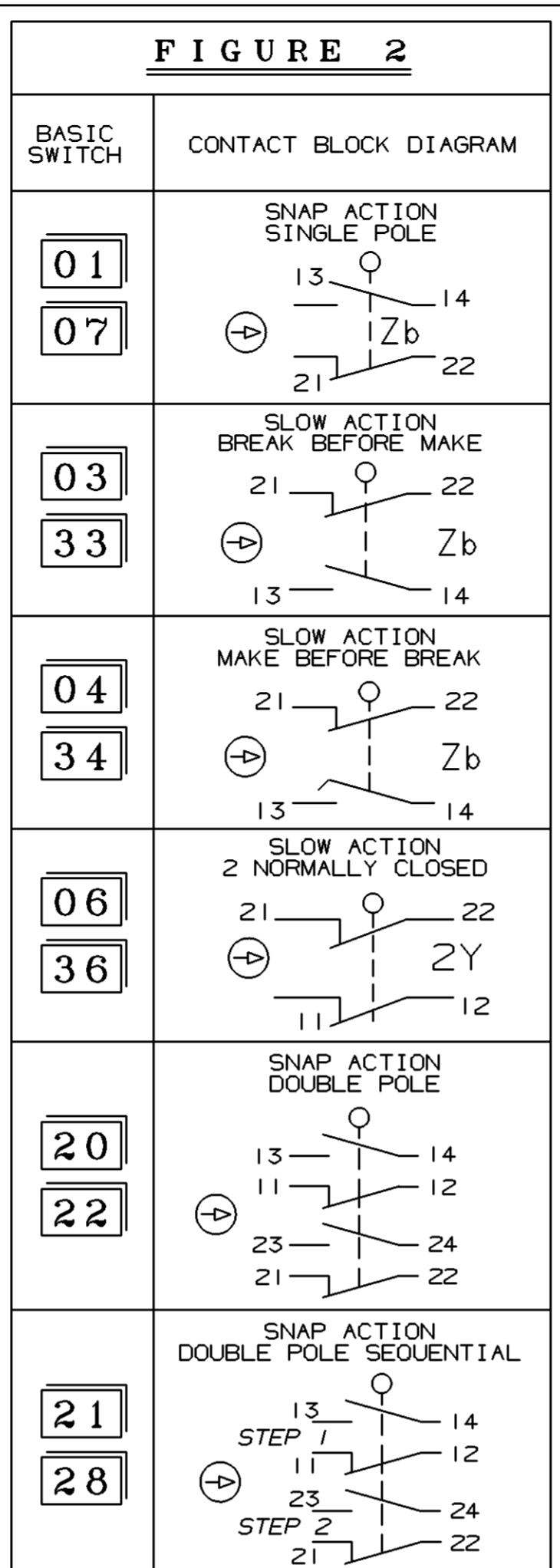
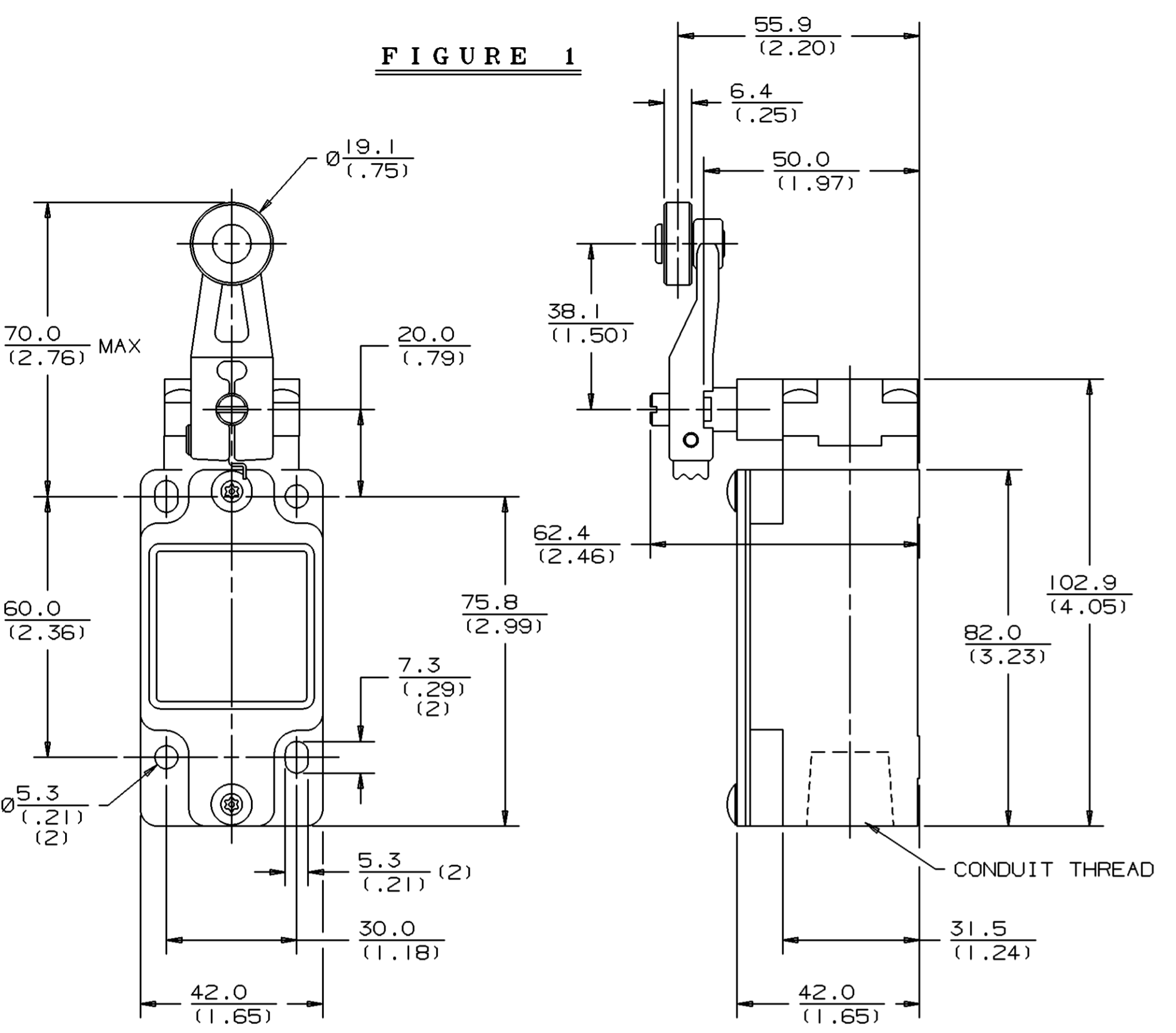


MTG-GS-251
 DO NOT SCALE PRINT
 REPLACES (M) GS SERIES CHART 1
 DRAWING NUMBER CO/542
4
 ISSUE
 RELEASE NUMBER
 REVISIONS
 2 CO/703
 IW 11/98
 3 0022231
 BNA 31MAY06
 4 0094575
 SBH 0806112
 7/98
 I. WEIR
 CHECK
 DESIGN
 AUTHOR/IN

Honeywell **GLOBAL SAFETY SWITCH** **MTG-GS-251** CATALOGUE LISTING CHART NO.



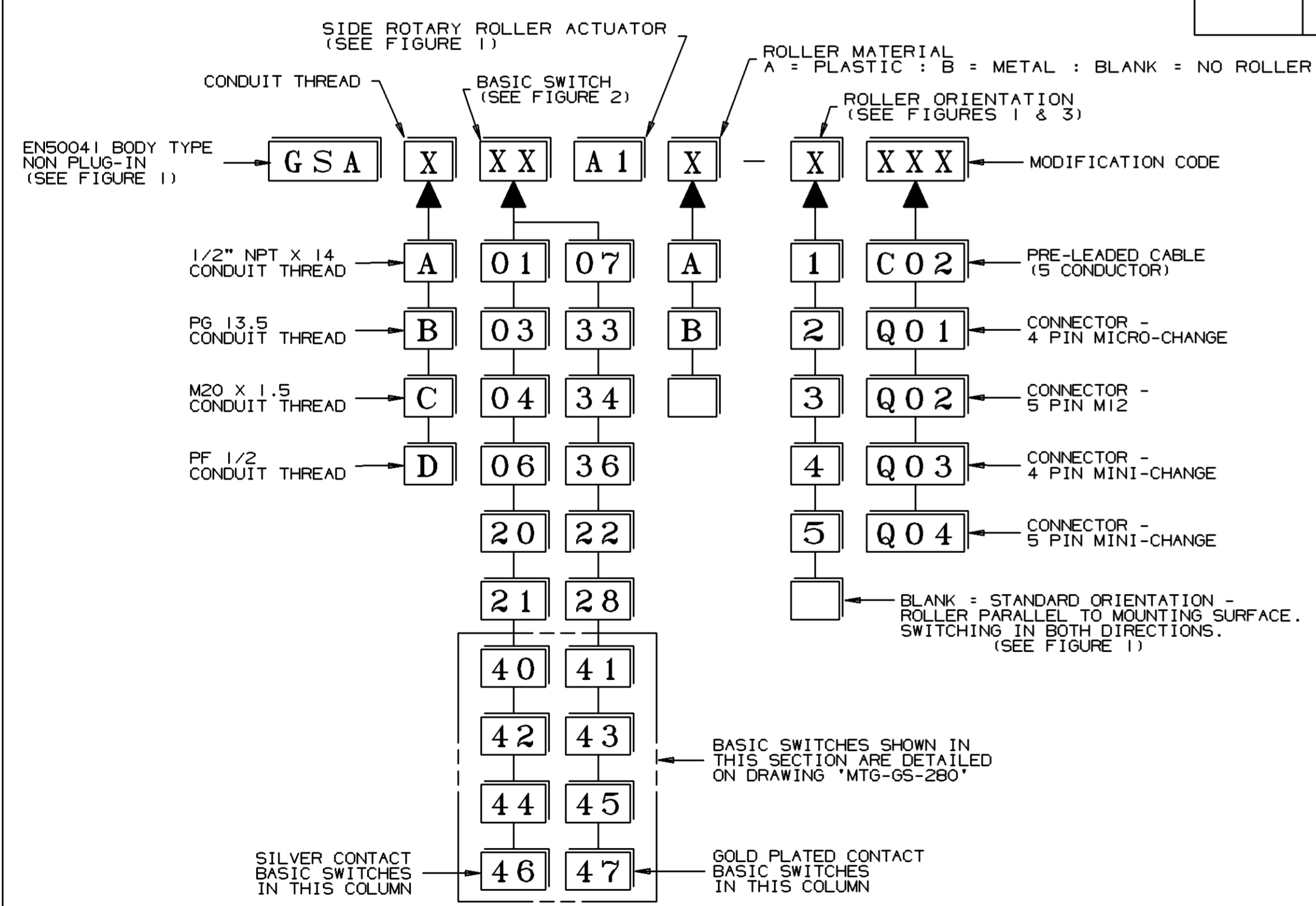
CAM ACTUATION PER EN50041

NOMINAL TRAVELS AND RELATED TERMINALS	MAXIMUM OPERATING FORCE	MAXIMUM DISCONNECT FORCE
■ - CONTACT CLOSED □ - CONTACT OPEN ▨ - CONTACT CLOSED DIFFERENTIAL TRAVEL, ** POSITIVE OPENING TO IEC 947-5-1 DIMENSIONS IN mm	N	N
	9.7 / 2.2	11.4 / 2.6
	9.7 / 2.2	11.4 / 2.6
	9.7 / 2.2	11.4 / 2.6
	9.7 / 2.2	11.4 / 2.6
	9.7 / 2.2	11.8 / 2.7
	9.7 / 2.2	N/A

ANGULAR ACTUATION

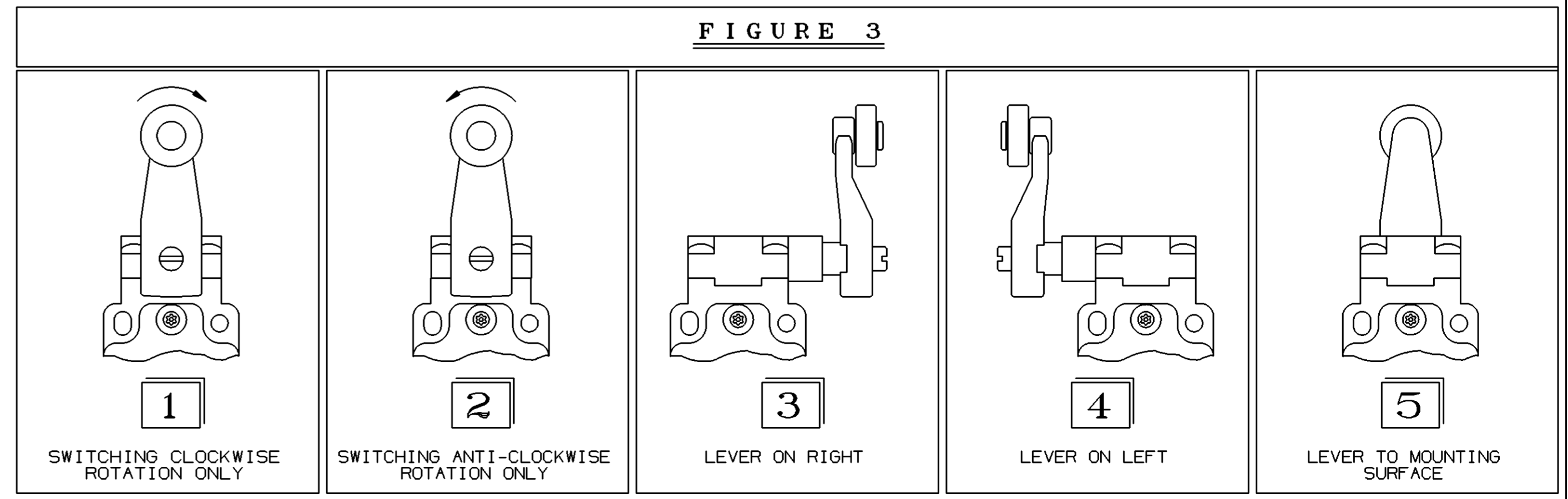
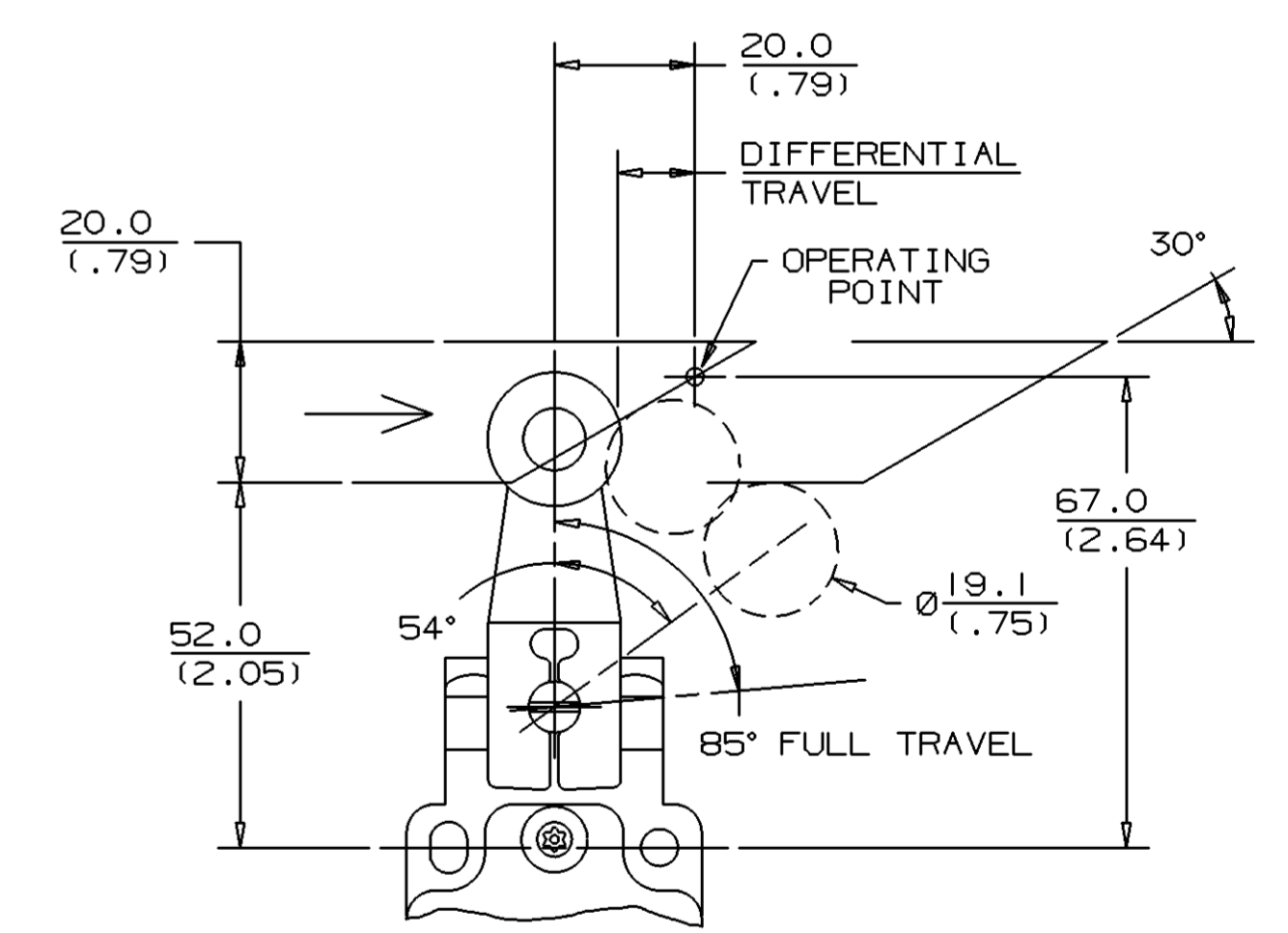
NOMINAL TRAVELS AND RELATED TERMINALS	MAXIMUM OPERATING TORQUE	MAXIMUM DISCONNECT TORQUE
■ - CONTACT CLOSED □ - CONTACT OPEN ▨ - CONTACT CLOSED DIFFERENTIAL TRAVEL, ** POSITIVE OPENING TO IEC 947-5-1 DIMENSIONS IN mm	NM	NM
	.330 / 2.9	.385 / 3.4
	.330 / 2.9	.385 / 3.4
	.330 / 2.9	.385 / 3.4
	.330 / 2.9	.385 / 3.4
	.330 / 2.9	.400 / 3.5
	.330 / 2.9	N/A

MIN. OPERATING VELOCITY = 8.5mm/S (0.33in/S)
 MAX. OPERATING VELOCITY = 0.85M/S (33.5in/S)
 MAX. OPERATING FREQUENCY = 250 OPS/MINUTE
 MIN. OPERATING ACTUATION = 13°/SECOND
 MAX. OPERATING ACTUATION = 1290°/SECOND
 MAX. OPERATING FREQUENCY = 250 OPS/MINUTE



- NOTES:-**
- RED EPOXY PAINT FINISHED ZINC DIE-CAST BODY AND STEEL COVER. BLACK EPOXY PAINT FINISHED ZINC DIE-CAST HEAD.
 - FREE POSITION (F.P.), OPERATING POINT, OVERTRAVEL (O.T.) AND PRETRAVEL ALL TO EN50041.
 - ANY STANDARD LISTING WITH SUFFIX 'RS' OR 'FE' IS PERMITTED.
 - FOR CONNECTION DIAGRAMS AND ADDITIONAL ELECTRICAL, DIMENSIONAL AND ENVIRONMENTAL INFORMATION REFER TO DRAWING GL-49212.
 - LEVERS MAY BE ATTACHED TO THE SHAFT AT 90° INCREMENTS. THEY MAY ALSO BE ATTACHED, BUT NOT KEYPED, ANYWHERE ON THE SHAFT.
 - HEAD AND COVER FIXED WITH TORX® SOCKET HEAD SCREWS (DRIVER SUPPLIED).

NO CHANGES CAN BE MADE TO THIS DRAWING WITHOUT JOINT NEWHOUSE/FREEPORT APPROVAL



IEC 947-5-1 ELECTRICAL RATING				GOLD PLATED CONTACTS		ENVIRONMENTAL		APPROVALS	
SILVER CONTACTS				I _{th} = 10A		IP67 NEMA/UL 1, 4, 12, 13		UL	
AC				1V 10μA MIN.		TEMP RANGE : -25°C TO 85°C -13°F TO 185°F		IEC 947-5-1	
AC (FOR 2NC)				50V 100mA MAX.		STORAGE : -40°C TO 85°C -40°F TO 185°F		EN50041	
DC				SHOCK : 50G PER IEC 68-2-27		VIBRATION : 10G PER IEC 68-2-6			
A600	AC15	A300	AC15	Q300	DC13				
U _e	I _e	U _e	I _e	U _e	I _e				
120	6	120	6	24	2.8				
240	3	240	3	125	0.55				
480	1.5			250	0.27				
500	1.4								
600	1.2								

SCALE:- 1/1 DIMENSIONS ARE IN (INCHES) MM MODIFY ON CAD SYSTEM ONLY

THE COPYRIGHT OF THIS DRAWING IS THE PROPERTY OF HONEYWELL LTD. THE DRAWING IS SUPPLIED IN CONFIDENCE AND MUST NOT BE USED FOR ANY PURPOSE OTHER THAN THAT FOR WHICH IT IS SUPPLIED.

X-ON Electronics

Largest Supplier of Electrical and Electronic Components

Click to view similar products for [Basic / Snap Action Switches](#) category:

Click to view products by [Honeywell](#) manufacturer:

Other Similar products are found below :

[5SM901-S12](#) [5SM9-S12N195](#) [01.098.1358.1](#) [602EN532](#) [602EN535-RB](#) [602HE5-RB1](#) [604HE162](#) [604HE223-6B](#) [624HE17-RB](#) [6HM82](#)
[6HM89](#) [6SE1](#) [6SX1-H58](#) [70500216](#) [70599106](#) [MBD5B1](#) [MBH2731](#) [73-316-0012](#) [EXD-AR20](#) [79211923](#) [79218589](#) [7AS12](#)
[MIL30126AB6BBMD4A12XAU](#) [ML-1155](#) [ML-1376](#) [831010C3.0](#) [831090C2.EL](#) [83131904](#) [84212012](#) [8AS239](#) [8HM73-3](#) [8SX26-H33](#)
[914CE1-6G](#) [PL-100](#) [11SM1077-H4](#) [11SM1077-H58](#) [11SM1-TN107](#) [11SM405](#) [11SM8423-H2](#) [11SX37-T](#) [11SX48-H58](#) [11SM2442-T](#)
[11SM76-T](#) [11SM77-H58](#) [11SM77-T](#) [11SM863-T](#) [11SM866](#) [A7CN-1M-1-LEFT](#) [A831700C7.0](#) [121EN187-R](#)