

DO NOT SCALE PRINT  
 MTG-GS-251  
 REPLACES (M) GS SERIES CHART 1  
 DRAWING NUMBER CO/542  
 ISSUE 4  
 RELEASE NUMBER  
 REVISIONS  
 2 CO/703  
 IW 11/98  
 3 0022231  
 BNA 31MAY06  
 4 0094575  
 SBH 0806112  
 7/98  
 I. WEIR  
 CHECK  
 DESIGN  
 AUTHOR/IN

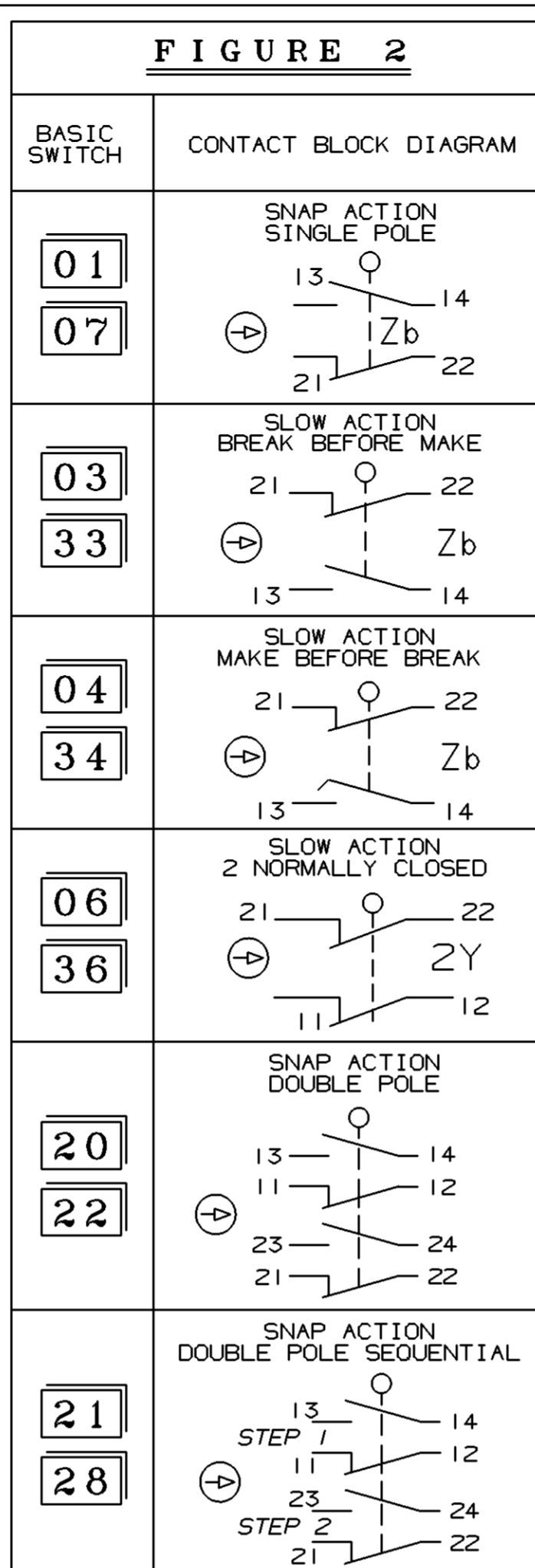
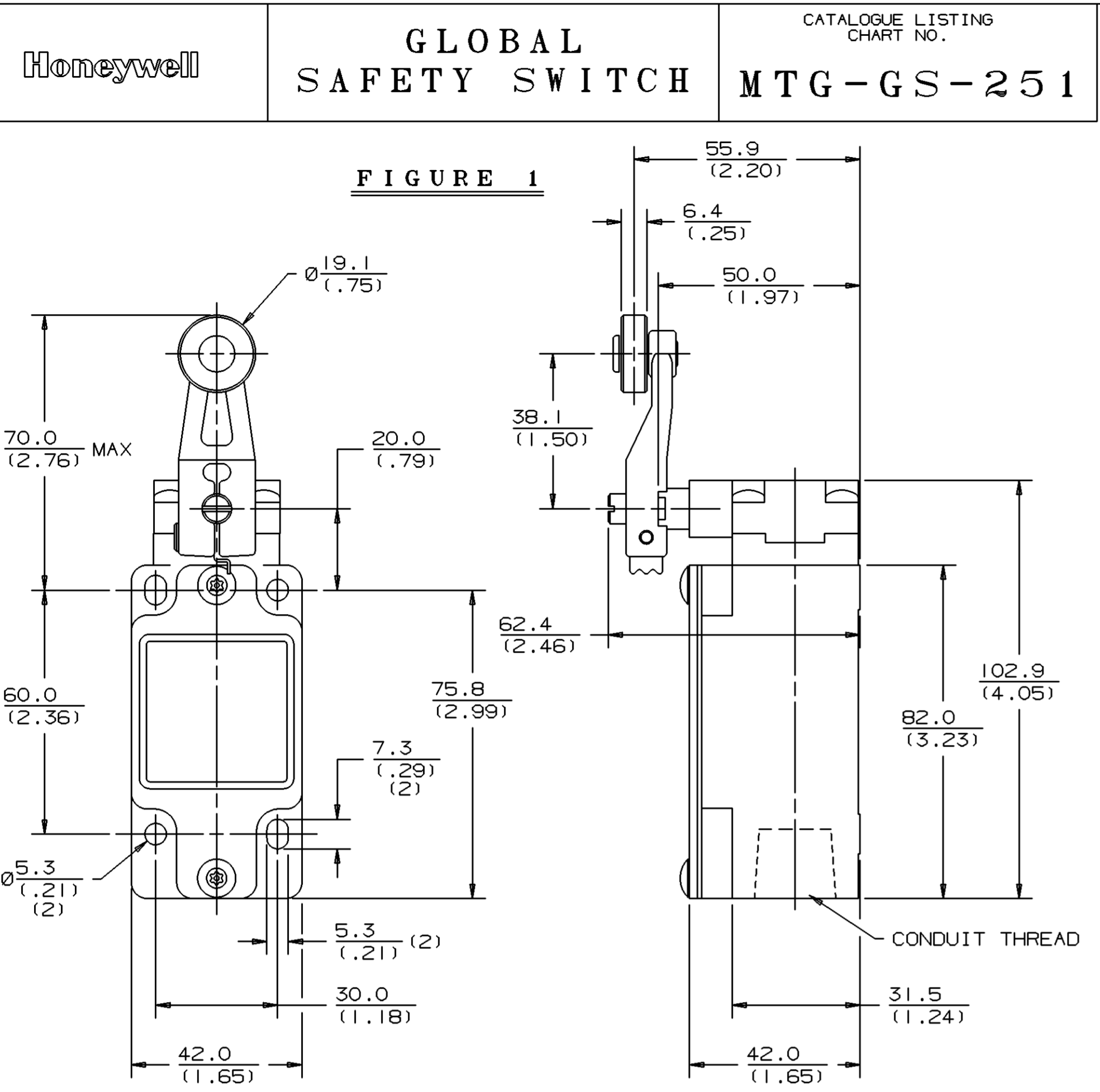
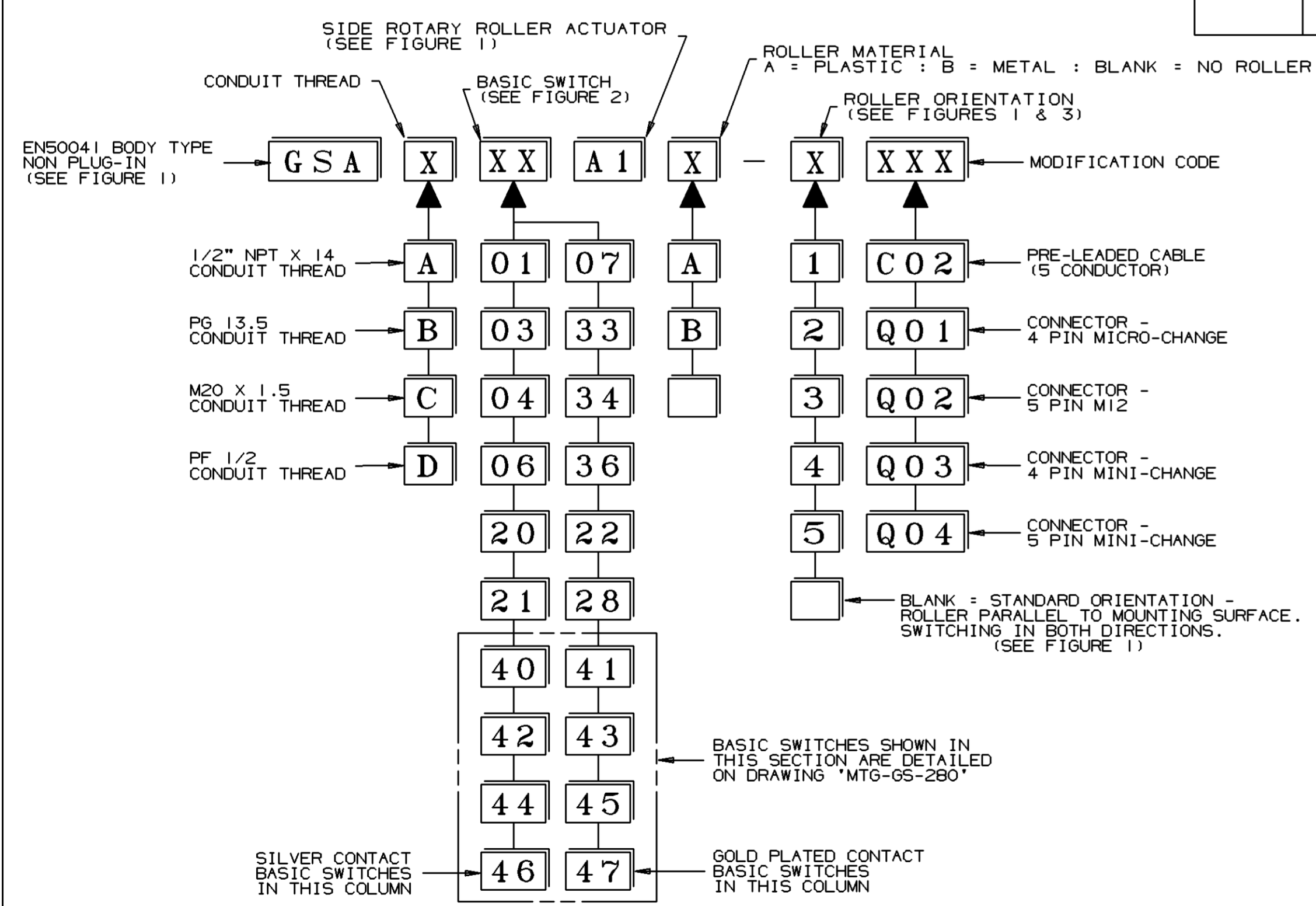


FIGURE 2		CAM ACTUATION PER EN50041		ANGULAR ACTUATION			
BASIC SWITCH	CONTACT BLOCK DIAGRAM	NOMINAL TRAVELS AND RELATED TERMINALS - CONTACT CLOSED □ - CONTACT OPEN ▨ - CONTACT CLOSED DIFFERENTIAL TRAVEL, ** POSITIVE OPENING TO IEC 947-5-1 DIMENSIONS IN mm	MAXIMUM OPERATING FORCE N LB	MAXIMUM DISCONNECT FORCE N LB	NOMINAL TRAVELS AND RELATED TERMINALS - CONTACT CLOSED □ - CONTACT OPEN ▨ - CONTACT CLOSED DIFFERENTIAL TRAVEL, ** POSITIVE OPENING TO IEC 947-5-1 DIMENSIONS IN mm	MAXIMUM OPERATING TORQUE NM LB-IN	MAXIMUM DISCONNECT TORQUE NM LB-IN
01 07	SNAP ACTION SINGLE POLE	→ 21-22 13-14 20 56** ← 12 DIFFERENTIAL TRAVEL	9.7 2.2	11.4 2.6	→ 21-22 13-14 26° 55°** 85° O.T. ← 12" DIFFERENTIAL TRAVEL	.330 2.9	.385 3.4
03 33	SLOW ACTION BREAK BEFORE MAKE	→ 21-22 13-14 20 32** 32	9.7 2.2	11.4 2.6	→ 21-22 13-14 26° 38°** 85° O.T. 38°	.330 2.9	.385 3.4
04 34	SLOW ACTION MAKE BEFORE BREAK	→ 21-22 13-14 32 45** 20	9.7 2.2	11.4 2.6	→ 21-22 13-14 38° 50°** 85° O.T. 26°	.330 2.9	.385 3.4
06 36	SLOW ACTION 2 NORMALLY CLOSED	→ 21-22 11-12 20 32**	9.7 2.2	11.4 2.6	→ 21-22 11-12 26° 38°** 85° O.T.	.330 2.9	.385 3.4
20 22	SNAP ACTION DOUBLE POLE	→ 11-12, 21-22 13-14, 23-24 20 56** ← 12 DIFFERENTIAL TRAVEL	9.7 2.2	11.8 2.7	→ 11-12, 21-22 13-14, 23-24 26° 55°** 85° O.T. ← 12" DIFFERENTIAL TRAVEL	.330 2.9	.400 3.5
21 28	SNAP ACTION DOUBLE POLE SEQUENTIAL	→ 11-12 13-14 21-22 23-24 20 56** ← 7 DIFFERENTIAL TRAVEL 38.5 74.5** ← 8.5 DIFFERENTIAL TRAVEL	9.7 2.2	N/A	→ 11-12 13-14 21-22 23-24 27° 55°** 85° O.T. ← 7" DIFFERENTIAL TRAVEL 42° 70°** ← 8" DIFFERENTIAL TRAVEL	.330 2.9	N/A

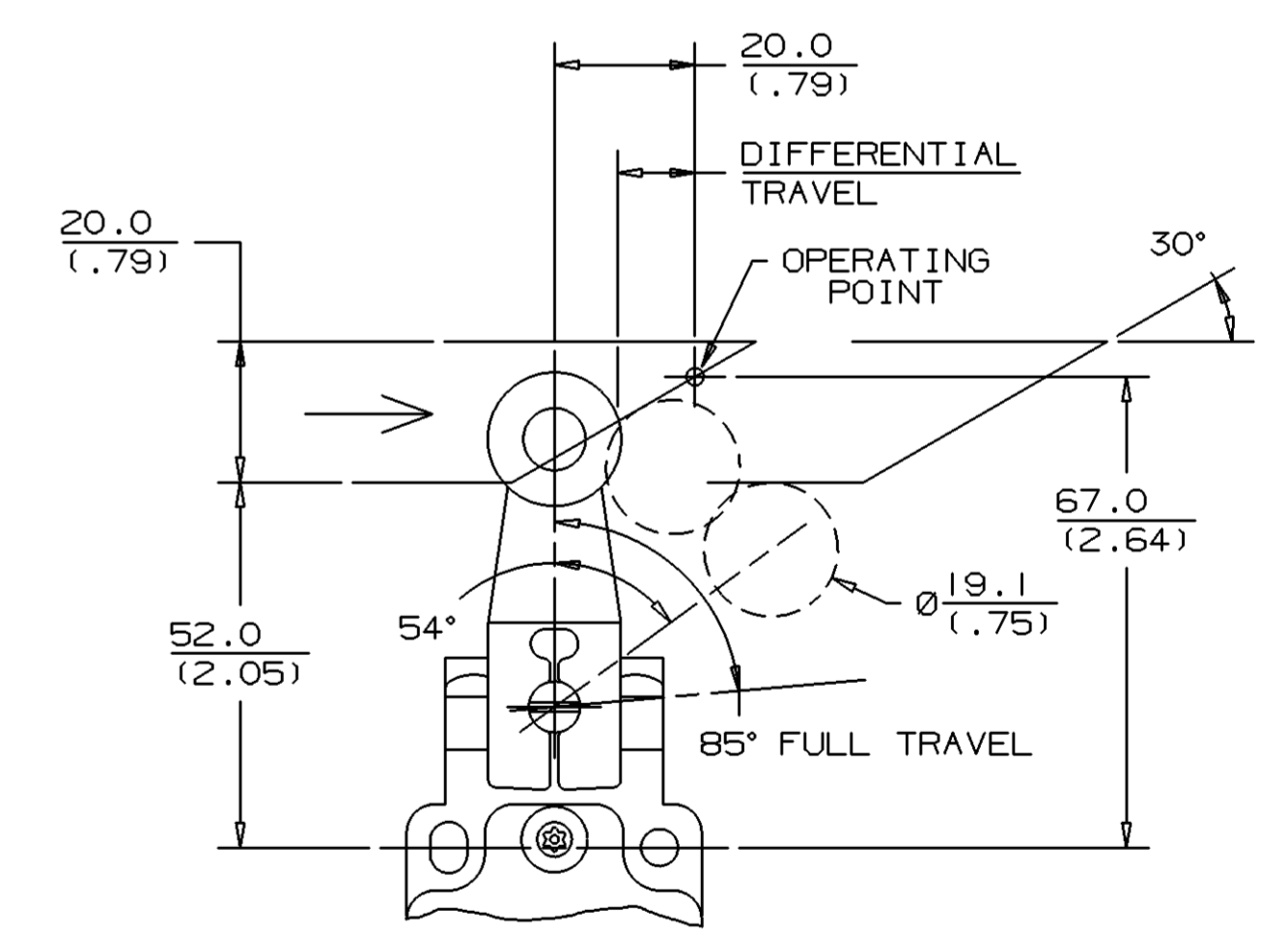
MIN. OPERATING VELOCITY = 8.5mm/S (0.33in/S)  
 MAX. OPERATING VELOCITY = 0.85M/S (33.5in/S)  
 MAX. OPERATING FREQUENCY = 250 OPS/MINUTE

MIN. OPERATING ACTUATION = 13°/SECOND  
 MAX. OPERATING ACTUATION = 1290°/SECOND  
 MAX. OPERATING FREQUENCY = 250 OPS/MINUTE



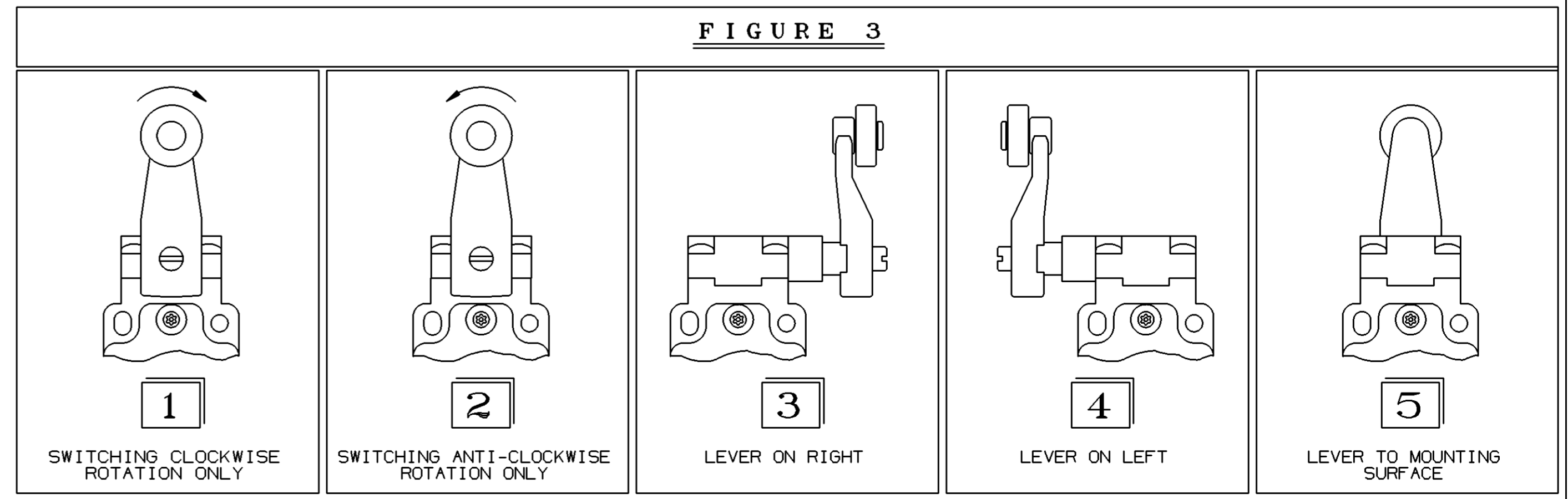
- NOTES:-
- RED EPOXY PAINT FINISHED ZINC DIE-CAST BODY AND STEEL COVER. BLACK EPOXY PAINT FINISHED ZINC DIE-CAST HEAD.
  - FREE POSITION (F.P.), OPERATING POINT, OVERTRAVEL (O.T.) AND PRETRAVEL ALL TO EN50041.
  - ANY STANDARD LISTING WITH SUFFIX 'RS' OR 'FE' IS PERMITTED.
  - FOR CONNECTION DIAGRAMS AND ADDITIONAL ELECTRICAL, DIMENSIONAL AND ENVIRONMENTAL INFORMATION REFER TO DRAWING GL-49212.
  - LEVERS MAY BE ATTACHED TO THE SHAFT AT 90° INCREMENTS. THEY MAY ALSO BE ATTACHED, BUT NOT KEYPED, ANYWHERE ON THE SHAFT.
  - HEAD AND COVER FIXED WITH TORX® SOCKET HEAD SCREWS (DRIVER SUPPLIED).

NO CHANGES CAN BE MADE TO THIS DRAWING WITHOUT JOINT NEWHOUSE/FREEPORT APPROVAL



IEC 947-5-1 ELECTRICAL RATING				GOLD PLATED CONTACTS		ENVIRONMENTAL		APPROVALS	
SILVER CONTACTS				I <sub>th</sub> = 10A		IP67 NEMA/UL 1, 4, 12, 13		UL	
AC				1V 10μA MIN.		TEMP RANGE : -25°C TO 85°C -13°F TO 185°F		IEC 947-5-1	
AC (FOR 2NC)				50V 100mA MAX.		STORAGE : -40°C TO 85°C -40°F TO 185°F		EN50041	
DC						SHOCK : 50G PER IEC 68-2-27			
A600	AC15	A300	AC15	Q300	DC13	VIBRATION : 10G PER IEC 68-2-6			
U <sub>e</sub>	I <sub>e</sub>	U <sub>e</sub>	I <sub>e</sub>	U <sub>e</sub>	I <sub>e</sub>				
120	6	120	6	24	2.8				
240	3	240	3	125	0.55				
380	1.5			250	0.27				
480	1.0								
500	1.2								
600	1.2								

THE COPYRIGHT OF THIS DRAWING IS THE PROPERTY OF HONEYWELL LTD. THE DRAWING IS SUPPLIED IN CONFIDENCE AND MUST NOT BE USED FOR ANY PURPOSE OTHER THAN THAT FOR WHICH IT IS SUPPLIED.  
 THIRD ANGLE PROJECTION  
 SCALE:- 1/1  
 DIMENSIONS ARE IN (INCHES)  
 MODIFY ON CAD SYSTEM ONLY



## X-ON Electronics

Largest Supplier of Electrical and Electronic Components

*Click to view similar products for [Basic / Snap Action Switches](#) category:*

*Click to view products by [Honeywell](#) manufacturer:*

Other Similar products are found below :

[83228001](#) [01.098.1358.1](#) [602EN1-6B](#) [602EN532](#) [602EN535-RB](#) [602HE5-RB1](#) [604HE162](#) [604HE223-6B](#) [624HE17-RB](#) [6HM89](#) [6PA78-JM](#)  
[6SE1](#) [6SX1-H58](#) [70500840](#) [MBD5B1](#) [MBH2731](#) [73-316-0012](#) [79211759](#) [79211923](#) [79218589](#) [7AS12](#) [ML-1155](#) [ML-1376](#) [831010C3.0](#)  
[831060C3.TL](#) [831090C2.EL](#) [83131904](#) [84212012](#) [8AS239](#) [8HM73-3](#) [903VB1-PG](#) [914CE1-6G](#) [PL-100](#) [11SM1077-H4](#) [11SM1077-H58](#)  
[11SM1-TN107](#) [11SM405](#) [11SM703-T](#) [11SM8423-H2](#) [11SX37-T](#) [11SX48-H58](#) [11SX55-H58](#) [11SM2442-T](#) [11SM76-T](#) [11SM77-H58](#)  
[11SM77-T](#) [11SM863-T](#) [11SM866](#) [11SX47-H58](#) [A7CN-1M-1-LEFT](#)