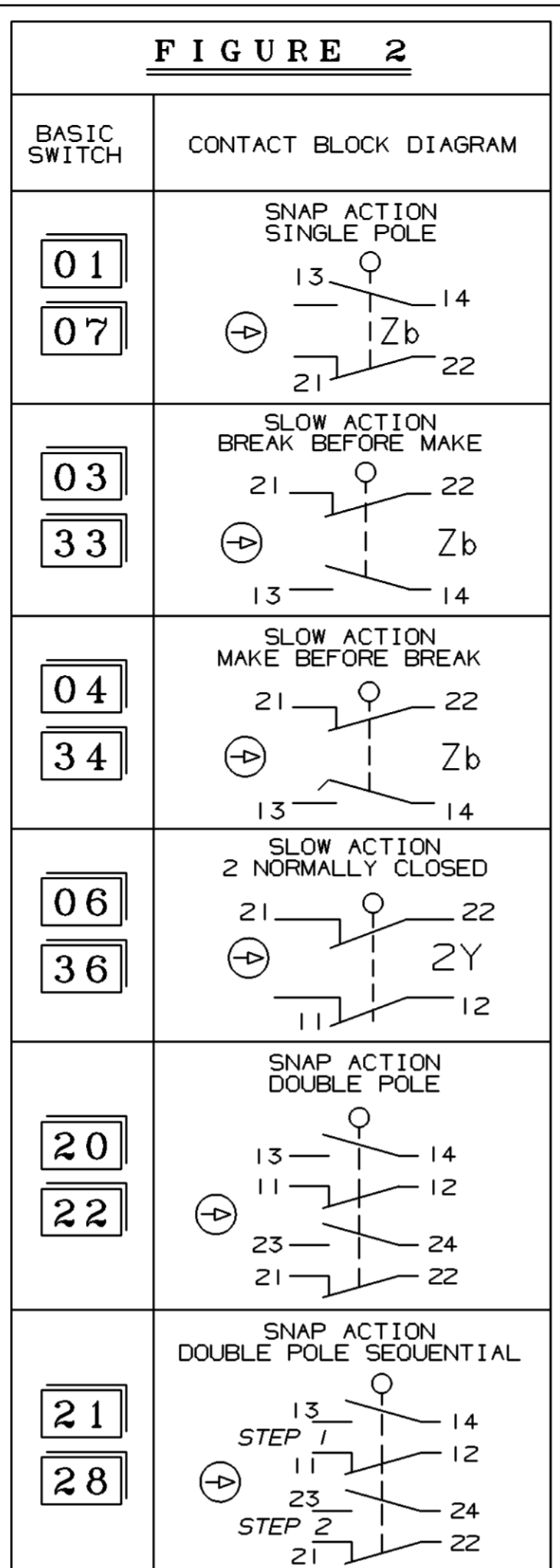
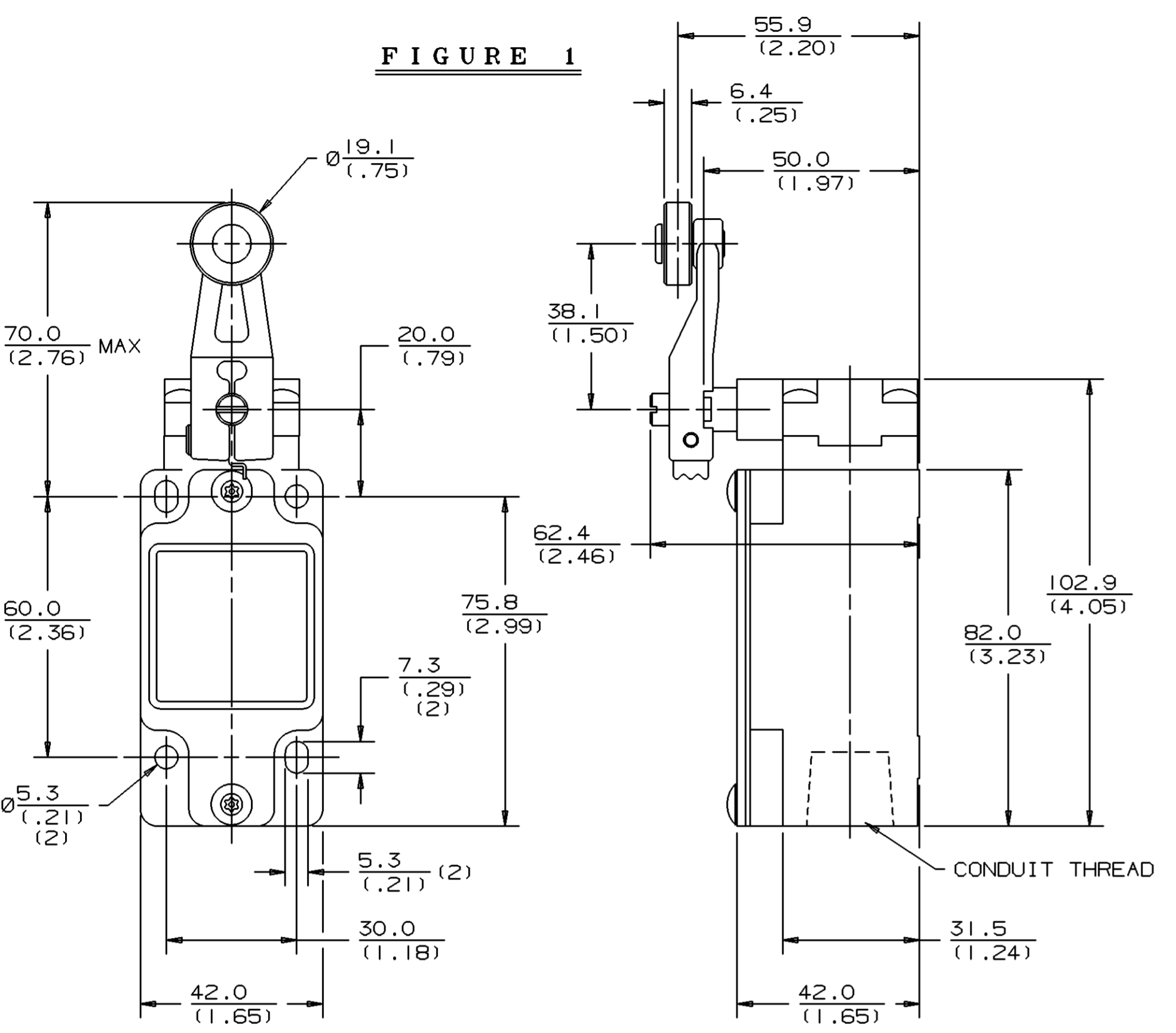


MTG-GS-251
 DO NOT SCALE PRINT
 REPLACES (M) GS SERIES CHART 1
 DRAWING NUMBER CO/542
4
 ISSUE
 RELEASE NUMBER
 REVISIONS
 2 CO/703
 IW 11/98
 3 0022231
 BNA 31MAY06
 4 0094575
 SBH 0806112
 7/98
 I. WEIR
 CHECK
 DESIGN
 AUTHOR/IN

Honeywell
GLOBAL SAFETY SWITCH MTG-GS-251
 CATALOGUE LISTING CHART NO.



CAM ACTUATION PER EN50041

NOMINAL TRAVELS AND RELATED TERMINALS
 ■ - CONTACT CLOSED □ - CONTACT OPEN ▨ - CONTACT CLOSED
 DIFFERENTIAL TRAVEL, ** POSITIVE OPENING TO IEC 947-5-1
 DIMENSIONS IN mm

BASIC SWITCH	CONTACT BLOCK DIAGRAM	MAXIMUM OPERATING FORCE N/LB	MAXIMUM DISCONNECT FORCE N/LB
01, 07	SNAP ACTION SINGLE POLE	9.7 / 2.2	11.4 / 2.6
03, 33	SLOW ACTION BREAK BEFORE MAKE	9.7 / 2.2	11.4 / 2.6
04, 34	SLOW ACTION MAKE BEFORE BREAK	9.7 / 2.2	11.4 / 2.6
06, 36	SLOW ACTION 2 NORMALLY CLOSED	9.7 / 2.2	11.4 / 2.6
20, 22	SNAP ACTION DOUBLE POLE	9.7 / 2.2	11.8 / 2.7
21, 28	SNAP ACTION DOUBLE POLE SEQUENTIAL	9.7 / 2.2	N/A

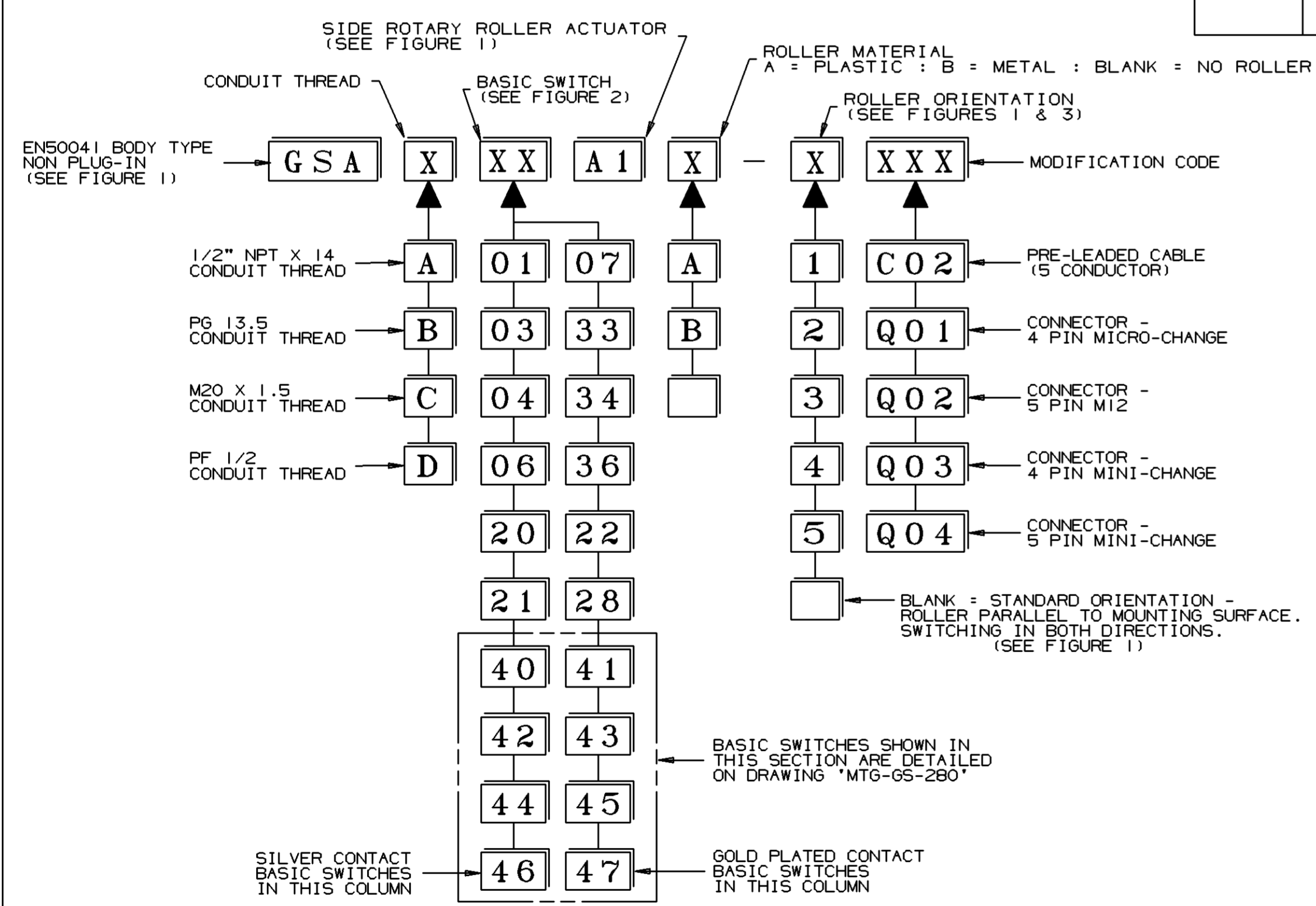
ANGULAR ACTUATION

NOMINAL TRAVELS AND RELATED TERMINALS
 ■ - CONTACT CLOSED □ - CONTACT OPEN ▨ - CONTACT CLOSED
 DIFFERENTIAL TRAVEL, ** POSITIVE OPENING TO IEC 947-5-1
 DIMENSIONS IN mm

BASIC SWITCH	CONTACT BLOCK DIAGRAM	MAXIMUM OPERATING TORQUE NM/LB-IN	MAXIMUM DISCONNECT TORQUE NM/LB-IN
01, 07	SNAP ACTION SINGLE POLE	.330 / 2.9	.385 / 3.4
03, 33	SLOW ACTION BREAK BEFORE MAKE	.330 / 2.9	.385 / 3.4
04, 34	SLOW ACTION MAKE BEFORE BREAK	.330 / 2.9	.385 / 3.4
06, 36	SLOW ACTION 2 NORMALLY CLOSED	.330 / 2.9	.385 / 3.4
20, 22	SNAP ACTION DOUBLE POLE	.330 / 2.9	.400 / 3.5
21, 28	SNAP ACTION DOUBLE POLE SEQUENTIAL	.330 / 2.9	N/A

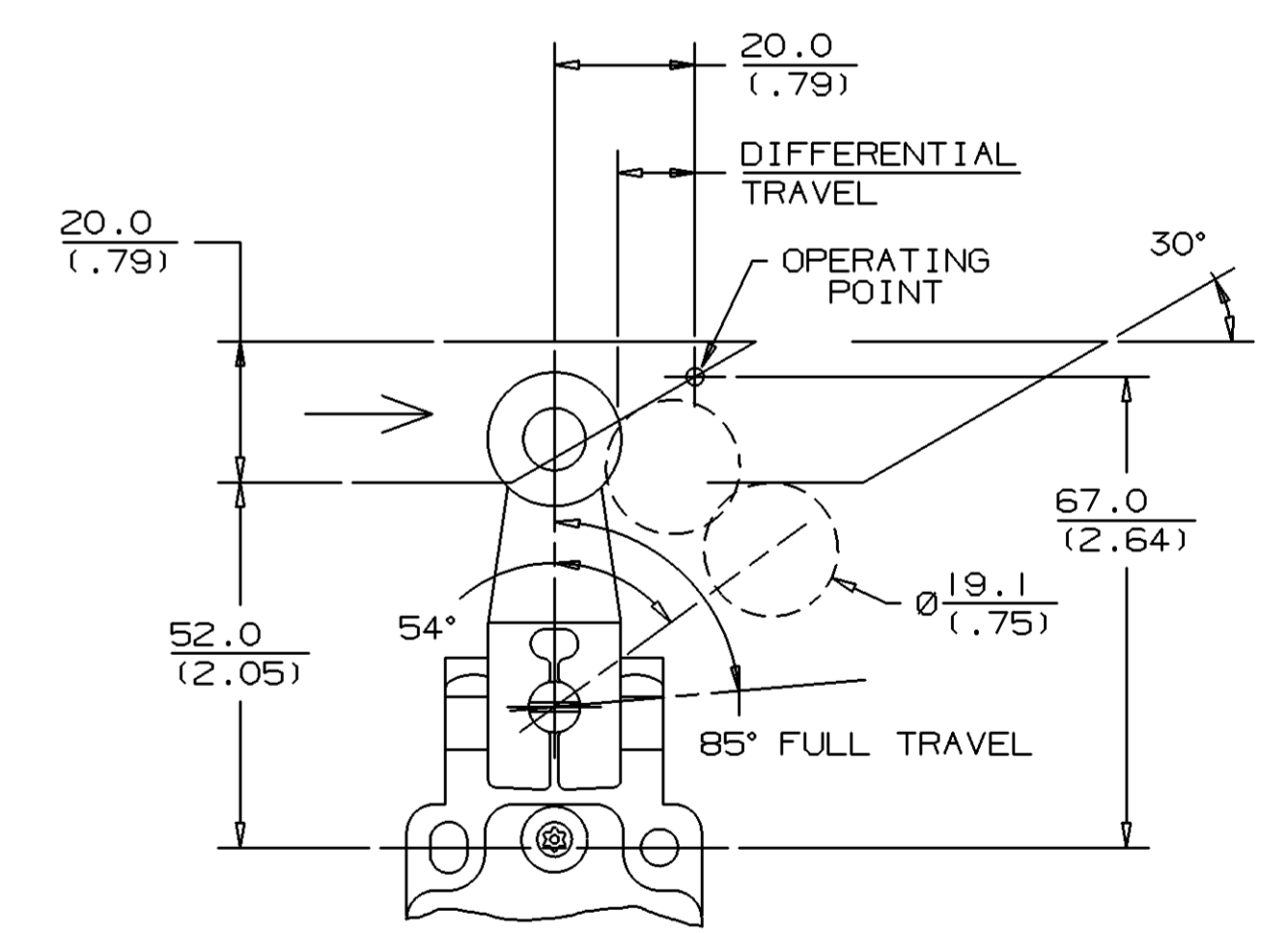
MIN. OPERATING VELOCITY = 8.5mm/S (0.33in/S)
 MAX. OPERATING VELOCITY = 0.85M/S (33.5in/S)
 MAX. OPERATING FREQUENCY = 250 OPS/MINUTE

MIN. OPERATING ACTUATION = 13°/SECOND
 MAX. OPERATING ACTUATION = 1290°/SECOND
 MAX. OPERATING FREQUENCY = 250 OPS/MINUTE



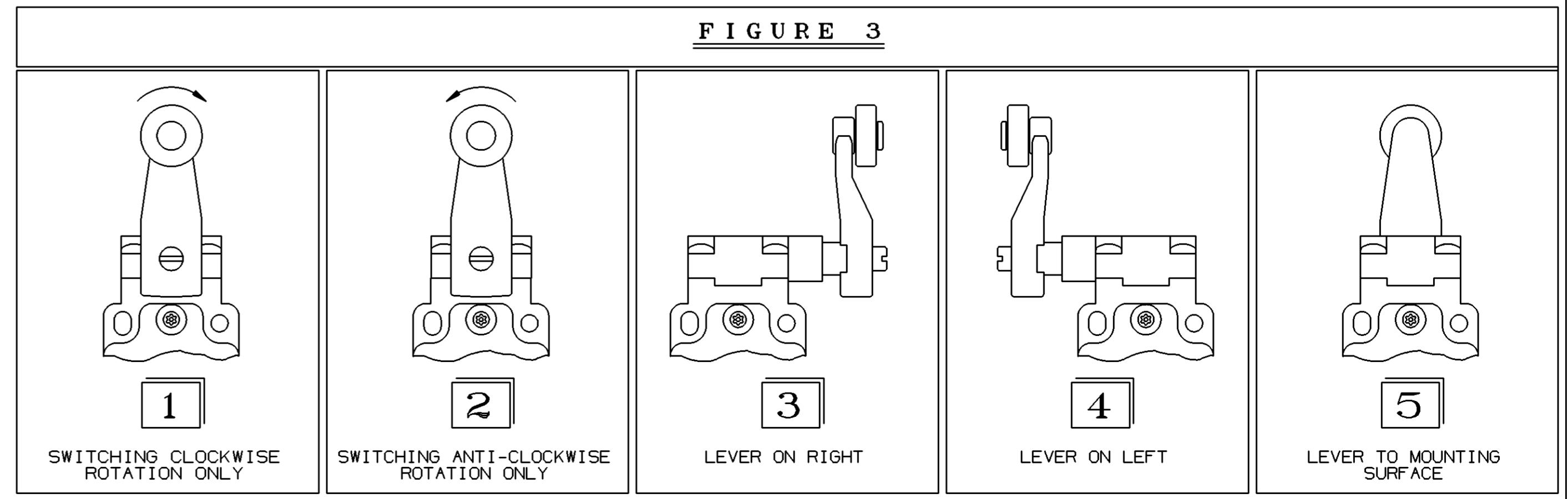
- NOTES:-**
- RED EPOXY PAINT FINISHED ZINC DIE-CAST BODY AND STEEL COVER. BLACK EPOXY PAINT FINISHED ZINC DIE-CAST HEAD.
 - FREE POSITION (F.P.), OPERATING POINT, OVERTRAVEL (O.T.) AND PRETRAVEL ALL TO EN50041.
 - ANY STANDARD LISTING WITH SUFFIX 'RS' OR 'FE' IS PERMITTED.
 - FOR CONNECTION DIAGRAMS AND ADDITIONAL ELECTRICAL, DIMENSIONAL AND ENVIRONMENTAL INFORMATION REFER TO DRAWING GL-49212.
 - LEVERS MAY BE ATTACHED TO THE SHAFT AT 90° INCREMENTS. THEY MAY ALSO BE ATTACHED, BUT NOT KEYPED, ANYWHERE ON THE SHAFT.
 - HEAD AND COVER FIXED WITH TORX® SOCKET HEAD SCREWS (DRIVER SUPPLIED).

NO CHANGES CAN BE MADE TO THIS DRAWING WITHOUT JOINT NEWHOUSE/FREEPORT APPROVAL



IEC 947-5-1 ELECTRICAL RATING

SILVER CONTACTS				GOLD PLATED CONTACTS		ENVIRONMENTAL		APPROVALS
AC	AC15	AC (FOR 2NC)	DC	$I_{th} = 10A$	IP67	NEMA/UL 1, 4, 12, 13	UL	
Ue	Ie	Ue	Ie	1V 10μA MIN.	TEMP RANGE : -25°C TO 85°C -13°F TO 185°F	STORAGE : -40°C TO 85°C -40°F TO 185°F		
120	6	120	24	50V 100mA MAX.	SHOCK : 50G PER IEC 68-2-27	VIBRATION : 10G PER IEC 68-2-6	IEC 947-5-1	
240	3	240	125				EN50041	
380	1.5		250					
480	1.0							
500	0.75							
600	0.5							



SCALE:- 1/1

DIMENSIONS ARE IN MM (INCHES)

MODIFY ON CAD SYSTEM ONLY

THE COPYRIGHT OF THIS DRAWING IS THE PROPERTY OF HONEYWELL LTD. THE DRAWING IS SUPPLIED IN CONFIDENCE AND MUST NOT BE USED FOR ANY PURPOSE OTHER THAN THAT FOR WHICH IT IS SUPPLIED.

THIRD ANGLE PROJECTION

X-ON Electronics

Largest Supplier of Electrical and Electronic Components

Click to view similar products for [Limit Switches](#) category:

Click to view products by [Honeywell](#) manufacturer:

Other Similar products are found below :

[5ML1-E1](#) [5ML31](#) [LZG1](#) [LZL1-6C](#) [622EN114-R](#) [622EN18-6](#) [622EN224-6B](#) [622EN230](#) [622EN237-R](#) [622EN69-3](#) [622EN85-RB](#) [MA-10019](#)
[6PA109](#) [7LS51](#) [83547001](#) [83725002](#) [83830001](#) [83840701](#) [83841001](#) [83881140](#) [8AS42](#) [8LS10](#) [8LS125-4PG](#) [8LS152-4PGN20](#) [914CE16-](#)
[3A](#) [914CE3-3L1](#) [915PA10](#) [91MCE16-P2O](#) [924CE16-Y3](#) [924CE1-S6](#) [924CE1-T25A](#) [924CE1-T3](#) [924CE1-T9A](#) [924CE2-T9](#) [924CE31-Y20-](#)
[X5](#) [924CE31-Y3L1](#) [GL-10054](#) [GLAB26J2B](#) [GLDB03C-6](#) [GLDC05C](#) [GLZ324](#) [PS21R-NT11N7-YK0](#) [H3141CAKAA](#) [RDI-G-L5B](#) [DD-](#)
[10000](#) [DT-2R3-A7](#) [14CE16-3N28](#) [14CE18-N15](#) [151ML3-E1](#) [E3102BAAAA](#)