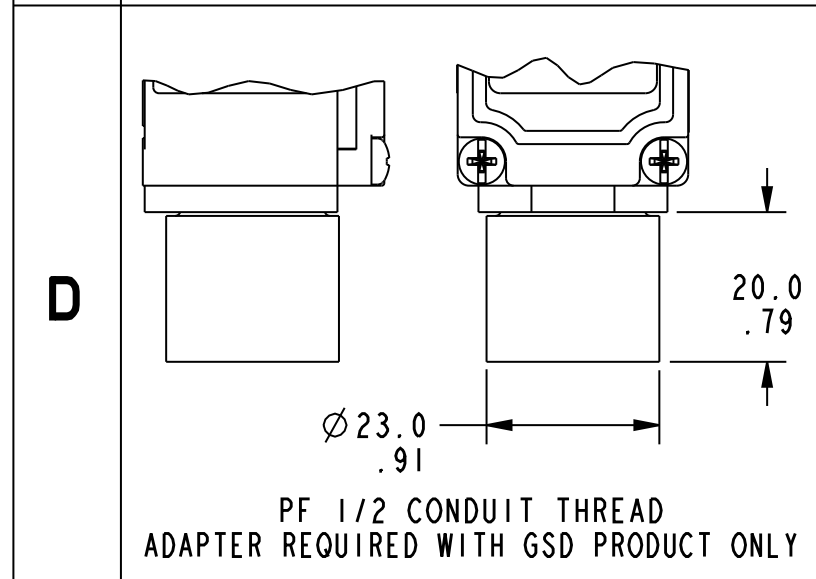
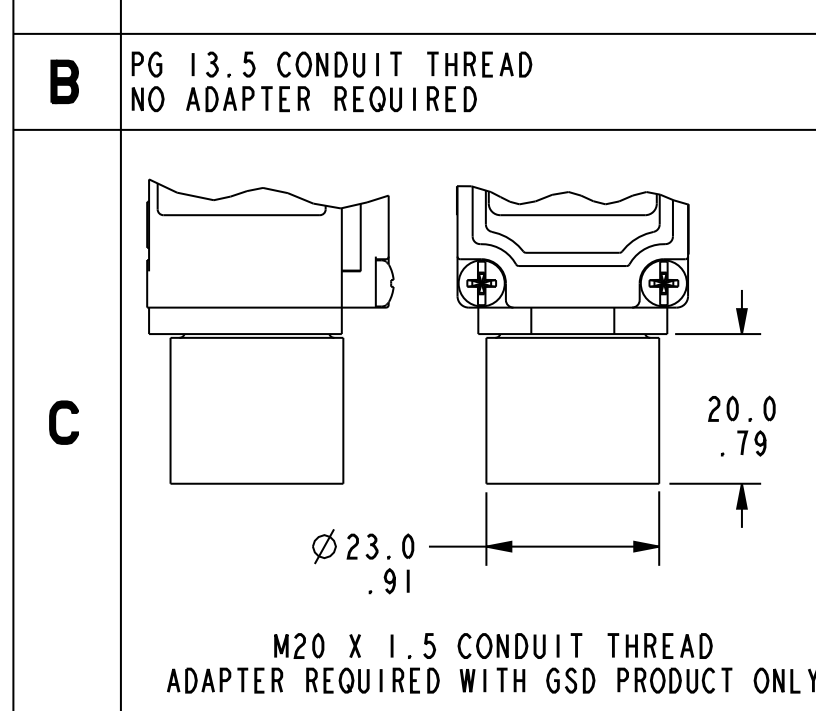
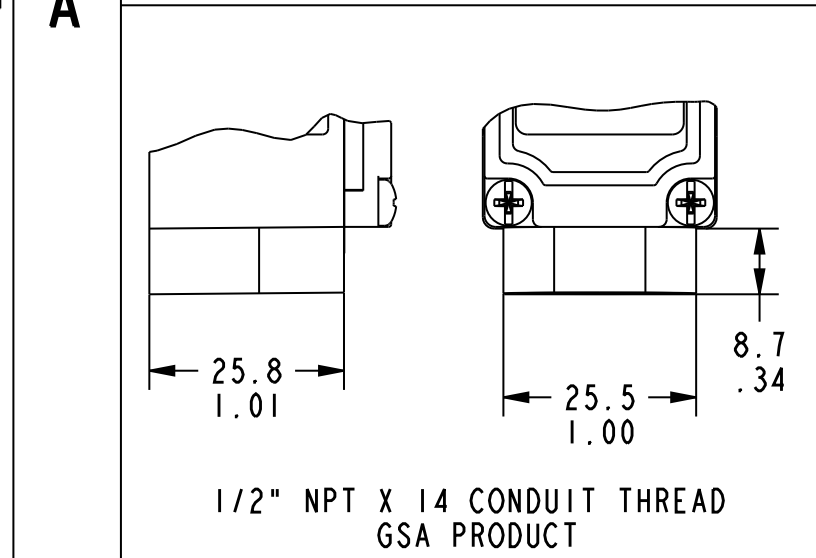
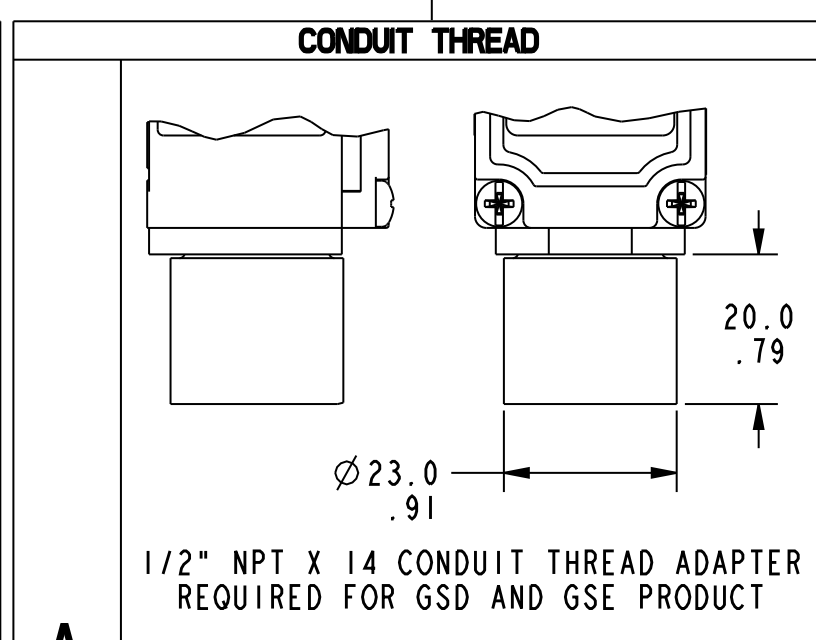
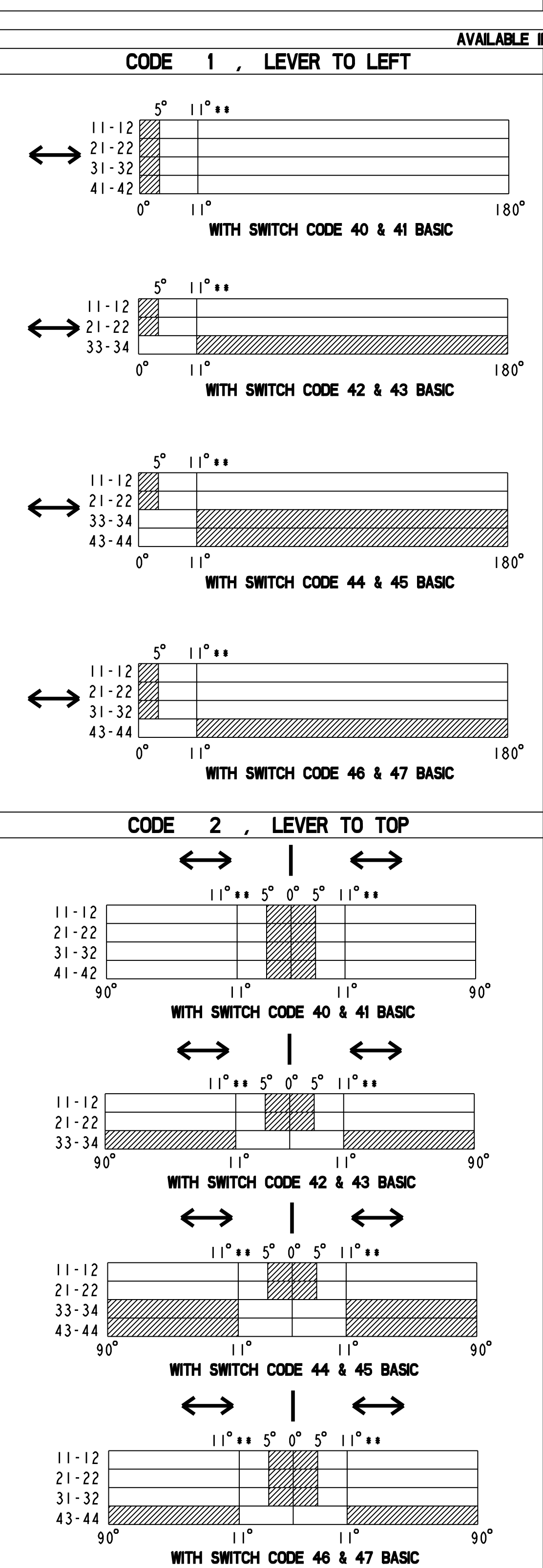
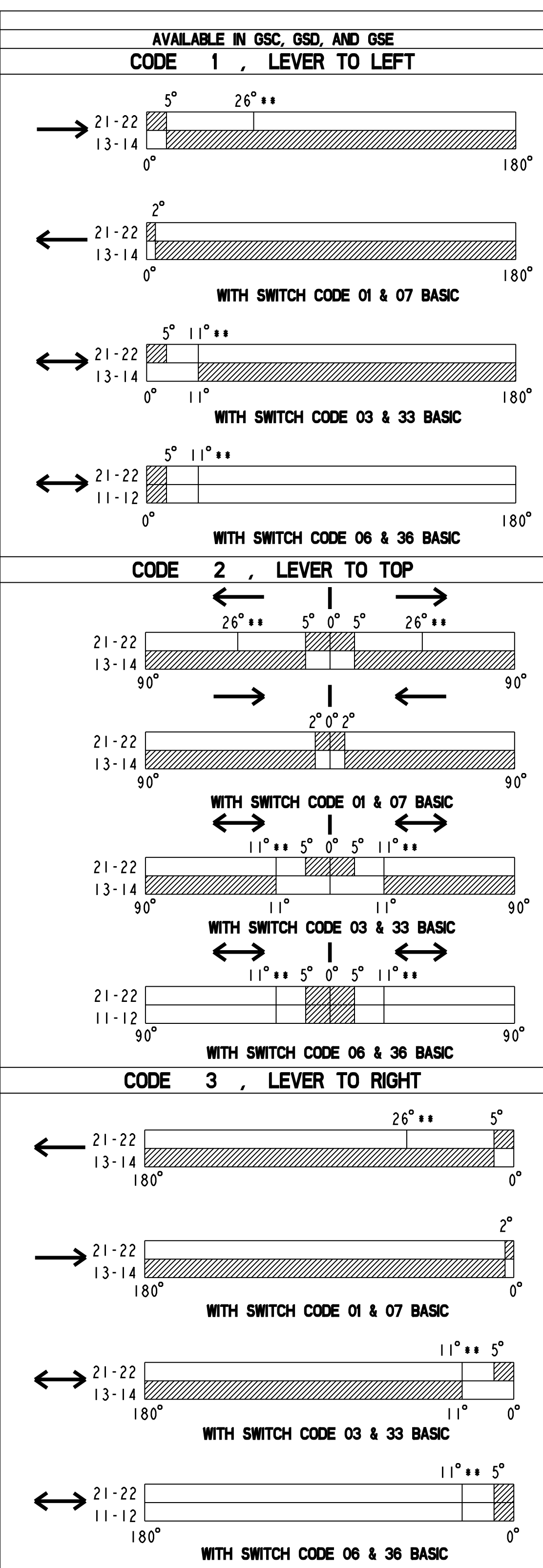


GS S

C	ZINC DIECAST BODY AND HEAD WITH STEEL COVER, BODY AND COVER FINISHED IN RED EPOXY PAINT HEAD FINISHED IN BLACK EPOXY PAINT
D	RED GLASS FILLED POLYESTER HOUSING AND COVER, ZINC DIECAST HEAD FINISHED IN BLACK EPOXY PAINT
E	ZINC DIECAST BODY AND HEAD WITH STEEL COVER, BODY AND COVER FINISHED IN RED EPOXY PAINT, HEAD FINISHED IN BLACK EPOXY PAINT 3 - CONDUIT

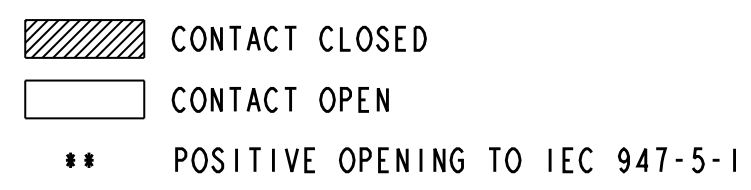


AVAILABLE IN GSC, GSD, AND GSE		AVAILABLE IN GSE ONLY	
01	SNAP-ACTION CONTACTS	40	SLOW-ACTION CONTACTS (BREAK BEFORE MAKE)
07	SNAP-ACTION CONTACTS (GOLD PLATED CONTACTS)	41	SLOW-ACTION CONTACTS (BREAK BEFORE MAKE) (GOLD PLATED CONTACTS)
03	SLOW-ACTION CONTACTS (BREAK BEFORE MAKE)	2Y, 1X	
33	SLOW-ACTION CONTACTS (BREAK BEFORE MAKE) (GOLD PLATED CONTACTS)	42	SLOW-ACTION CONTACTS (BREAK BEFORE MAKE)
06	SLOW-ACTION CONTACTS (2 NORMALLY CLOSED)	43	SLOW-ACTION CONTACTS (BREAK BEFORE MAKE) (GOLD PLATED CONTACTS)
36	SLOW-ACTION CONTACTS (2 NORMALLY CLOSED) (GOLD PLATED CONTACTS)	2Y, 2X	
		44	SLOW-ACTION CONTACTS (BREAK BEFORE MAKE)
		45	SLOW-ACTION CONTACTS (BREAK BEFORE MAKE) (GOLD PLATED CONTACTS)
		3Y, 1X	
		46	SLOW-ACTION CONTACTS (BREAK BEFORE MAKE)
		47	SLOW-ACTION CONTACTS (BREAK BEFORE MAKE) (GOLD PLATED CONTACTS)



NOTES:
 1 - MAXIMUM OPERATING TORQUE - .12 Nm / 1.1 in-lb
 MAXIMUM DISCONNECT TORQUE - .16 Nm / 1.5 in-lb
 MAXIMUM TIGHTENING TORQUE FOR FIXING SCREW -
 0.5Nm/4.4in-lb (GSC & GSE PRODUCTS)
 0.339Nm/3 in-lb (GSD PRODUCTS)
 2 - IP66/IP67 NEMA 1, 4X (INDOOR USE ONLY), 12, 13 FOR GSD PRODUCTS

ELECTRICAL RATING - 1th = 10A				ENVIRONMENTAL	APPROVALS
SILVER CONTACTS		GOLD PLATED CONTACTS		IP66 NEMA 1, 4, 12, 13 TEMP RANGE: -40°C TO +85°C -40°F TO +185°F STORAGE: -40°C TO +85°C -40°F TO +185°F SHOCK: 50G PER IEC 68-2-27 VIBRATION: 100G PER IEC 68-2-6	UL IEC 947-5-1 EN50047
AC FOR SWITCH CODES 01, 07, 03, 33	AC FOR SWITCH CODES 06, 36	AC FOR SWITCH CODES 40, 41, 42, 43, 44, 45, 46, 47	DC		
A600 AC15 Ue Ie	A500 AC15 Ue Ie	A300 AC15 Ue Ie	Q300 DC13 Ue Ie		
VOLTS AMPS 120 6 240 3 380 1.9 480 1.5 500 1.4 600 1.2	VOLTS AMPS 120 6 240 3 380 1.9 480 1.5 500 1.4	VOLTS AMPS 120 6 240 3	VOLTS AMPS 125 0.55 250 0.27	1V 10uA MIN 50V 100mA MAX	



THIS DRAWING COVERS A PROPRIETARY ITEM AND IS THE PROPERTY OF MICRO SWITCH, A DIVISION OF HONEYWELL. THIS DRAWING IS NOT TO BE COPIED OR USED WITHOUT THE APPROVAL OF MICRO SWITCH.

FED. MFG. CODE 91929 CATALOG LISTING

MICRO SWITCH
a Honeywell Division

LIMIT SWITCH

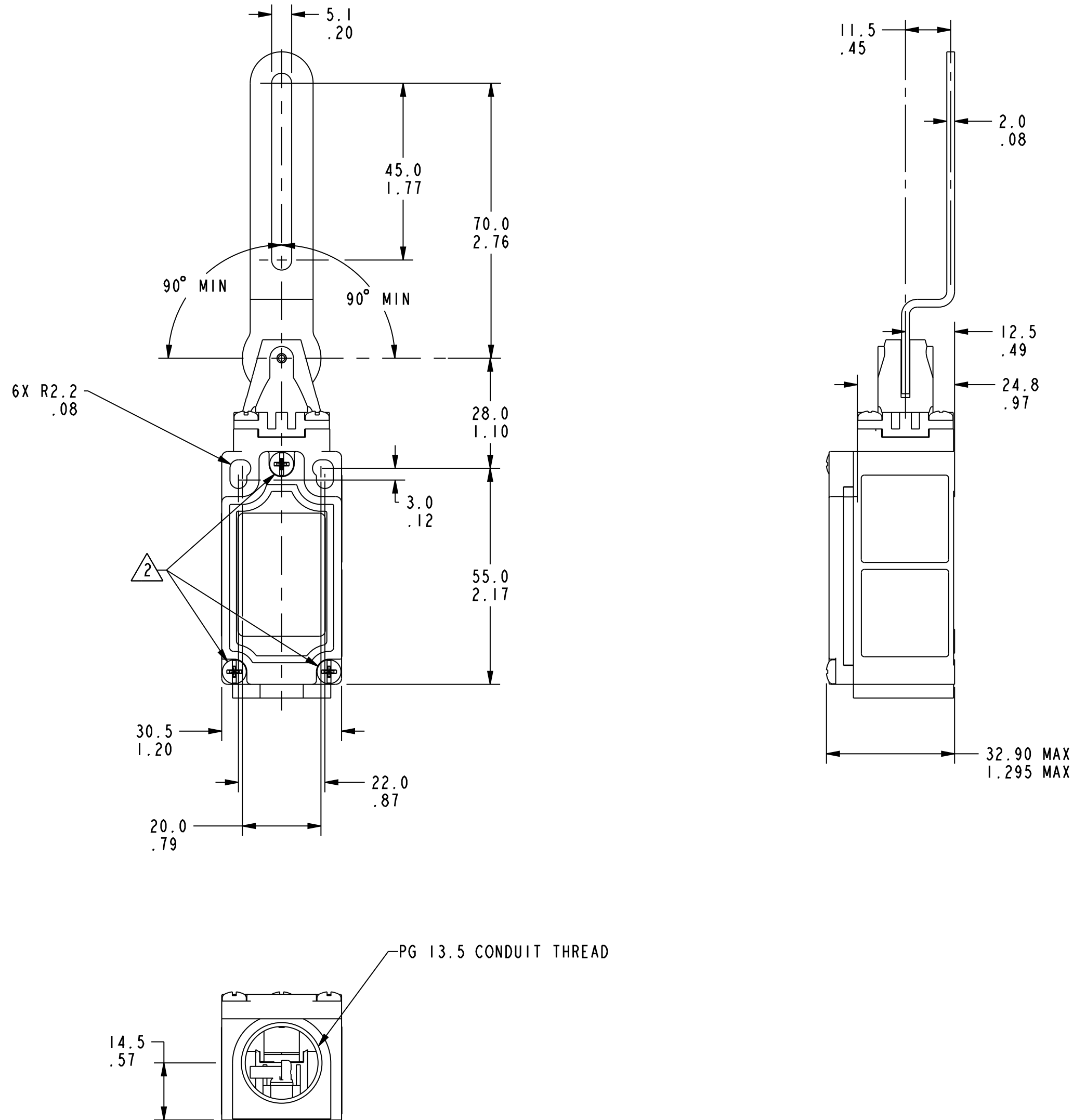
GS SERIES CHART 2

ANSI Y14.5M-1982 APPLIES

THIRD ANGLE PROJECTION
SCALE FULL
DO NOT SCALE PRINT
TOLERANCES
APPLY TO DESIGN UNITS. CONVERSIONS ARE ONLY FOR REFERENCE, UNLESS NOTED. TOLERANCES ARE:
 DIM. TOL. DIM. TOL.
 NO. PLACES 2 12.00 2.1 0.01, 0.5
 ONE PLACE 7.1 0.01, 0.05 7.1 0.01, 0.5
 TWO PLACES 7.1 0.01, 0.05 7.1 0.01, 0.5
 THREE PLACES 7.1 0.01, 0.05 7.1 0.01, 0.5

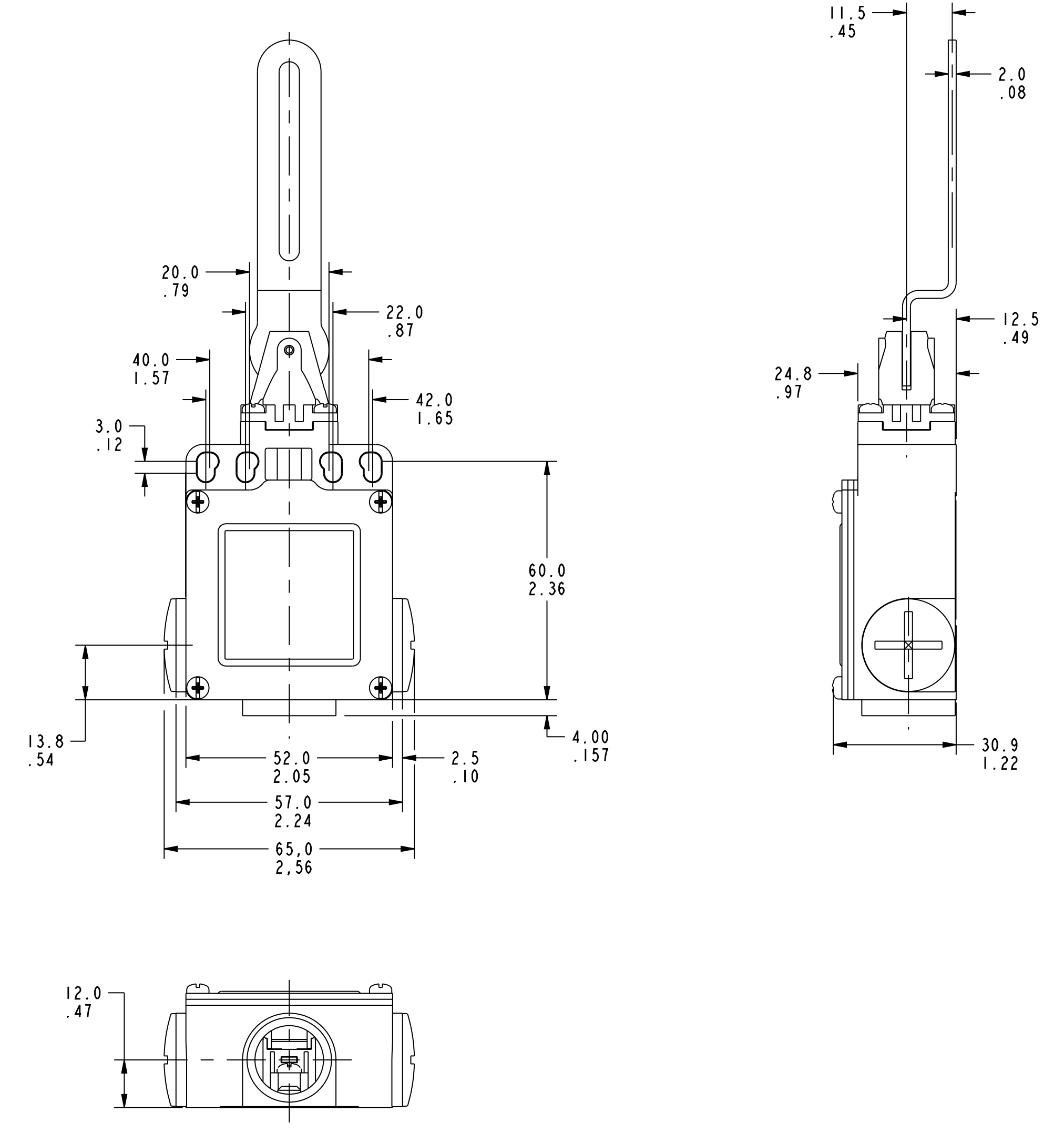
DESIGN UNITS SI METRIC [X] US CUSTOMARY []
 WEIGHT TBD

BODY CODES C AND D



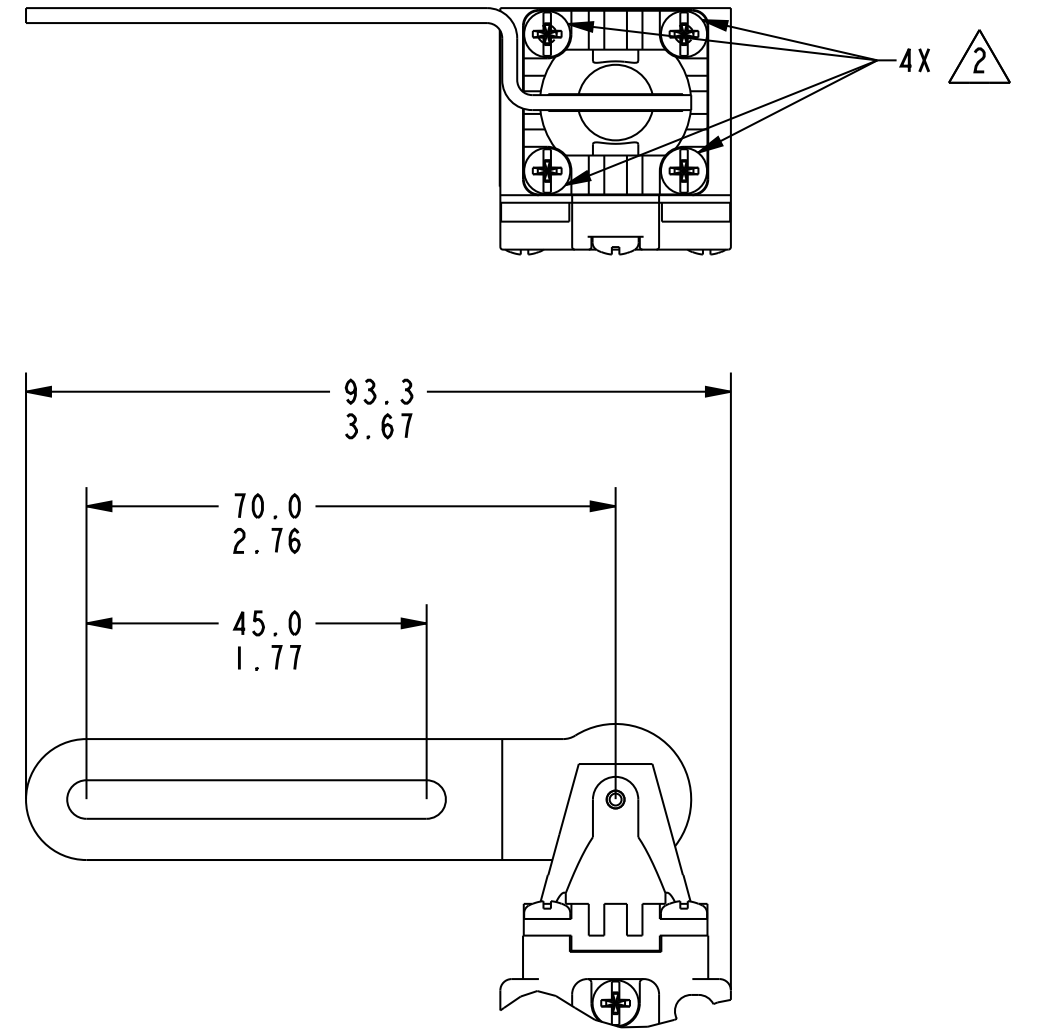
ACTUATOR CODE 2

BODY CODE E

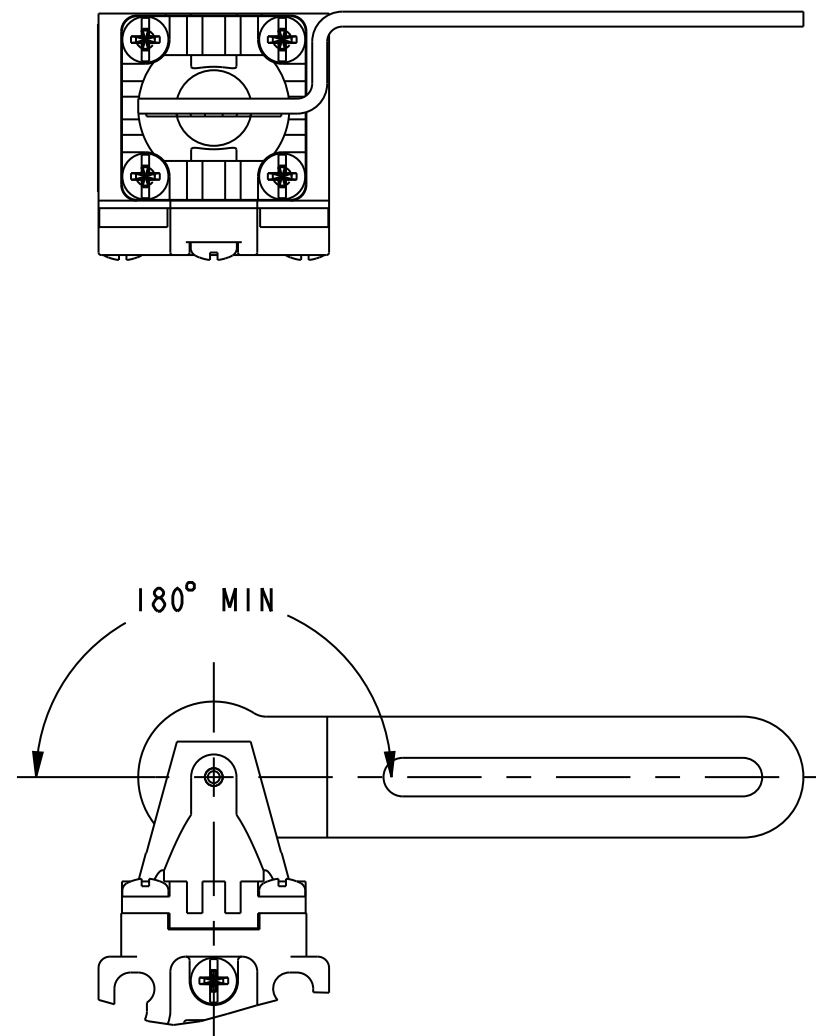


ACTUATOR CODE 2

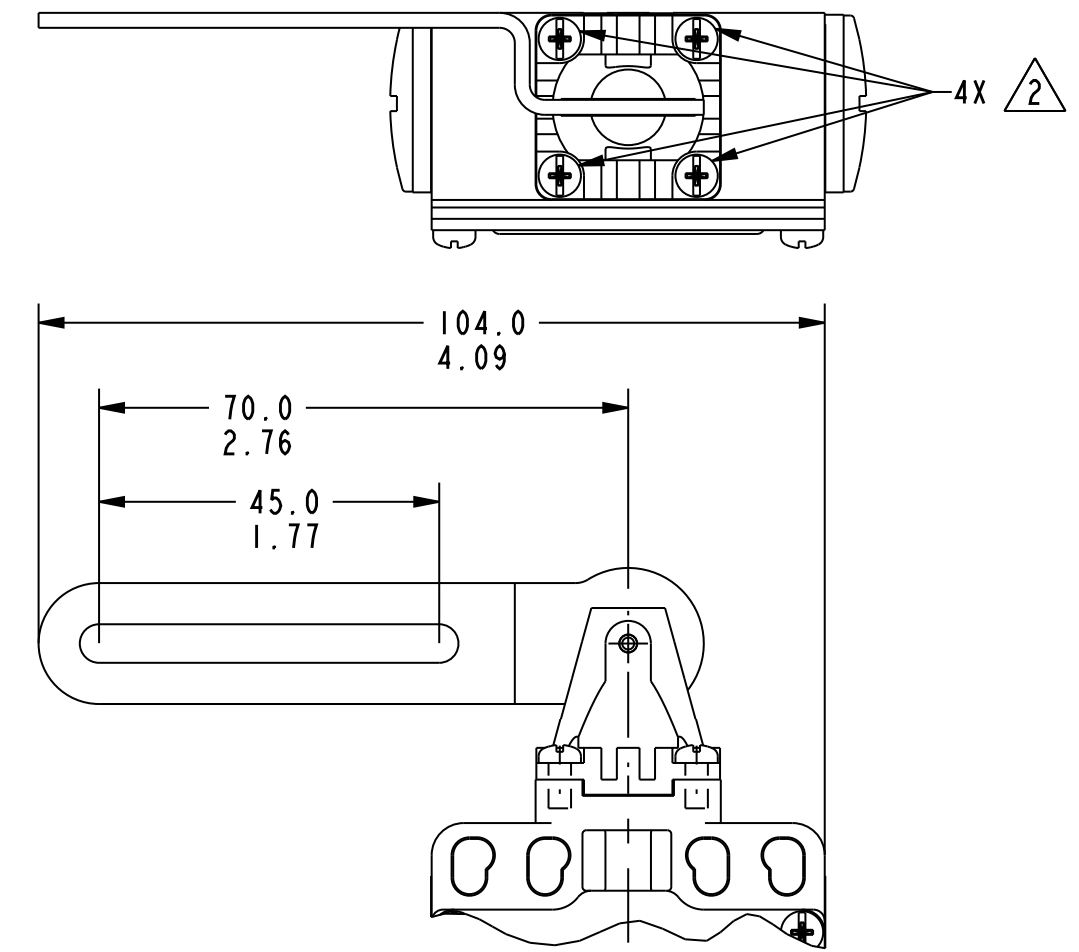
MGS SERIES CHART 2
 DRAWING NUMBER: 2 OF 2
 RELEASE NO: PR-24250
 REVISIONS:
 1 0905192
 20 MAY 84
 M002223
 31 MAY 86
 M 0063072
 08 APR 89
 ISSUE 14
 CHECK: CMH
 DATE: 09 APR 89
 CHECK: DWN
 DATE: 18 OCT 89
 CHECK: S. A. V.
 DATE: 18 OCT 89
 DRAWN: S. A. V.



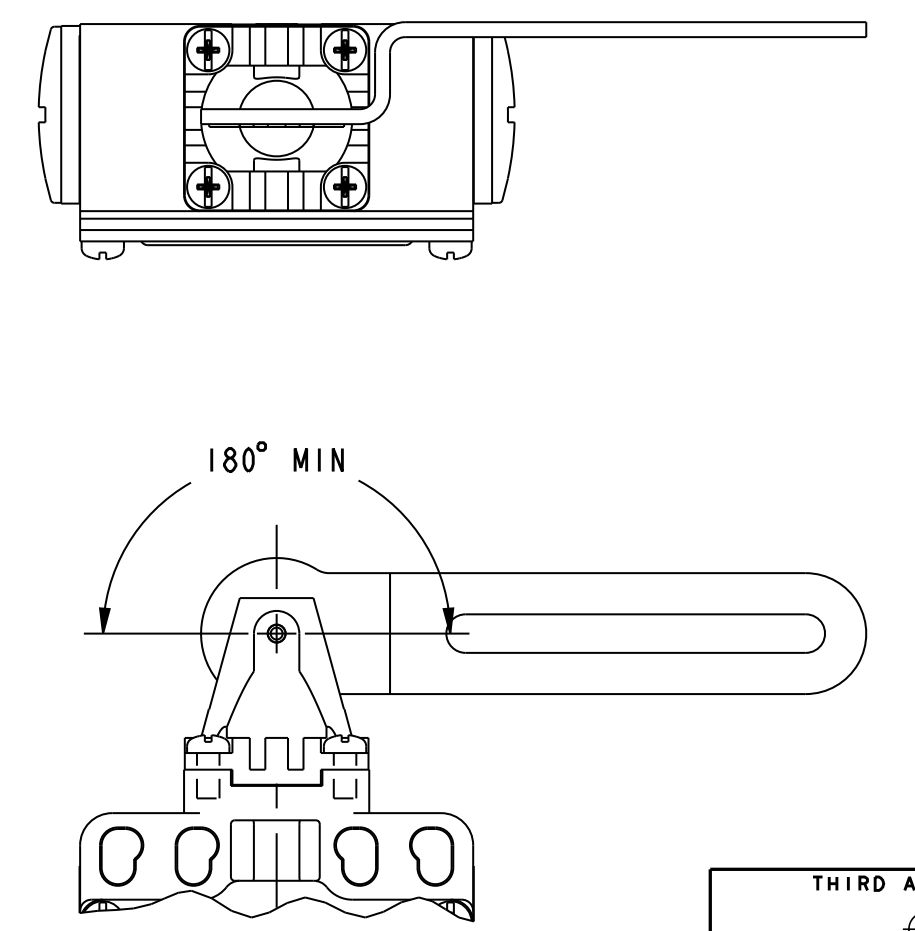
ACTUATOR CODE 1



ACTUATOR CODE 3



ACTUATOR CODE 1



ACTUATOR CODE 3

THIS DRAWING COVERS A PROPRIETARY ITEM AND IS THE PROPERTY OF MICRO SWITCH, A DIVISION OF HONEYWELL. THIS DRAWING IS NOT TO BE COPIED OR USED WITHOUT THE APPROVAL OF MICRO SWITCH.

FED. MFG. CODE 91929 CATALOG LISTING

MICRO SWITCH
a Honeywell Division

LIMIT SWITCH

GS SERIES CHART 2

THIRD ANGLE PROJECTION			
SCALE		FULL	
DO NOT SCALE PRINT			
TOLERANCES			
APPLY TO DESIGN UNITS. CONVERSIONS ARE ONLY FOR REFERENCE, UNLESS NOTED. TOLERANCES ARE:			
NO. PLACES	FRACTIONS	DECIMALS	ANGLES
2	1/16	0.0001	0.0015
3	1/32	0.0001	0.0015
4	1/64	0.0001	0.0015
5	1/128	0.0001	0.0015
6	1/256	0.0001	0.0015
DESIGN UNITS		SI METRIC <input checked="" type="checkbox"/> US CUSTOMARY <input type="checkbox"/>	
WEIGHT		TBD	

ANSI Y14.5M-1982 APPLIES

X-ON Electronics

Largest Supplier of Electrical and Electronic Components

Click to view similar products for [Basic / Snap Action Switches](#) category:

Click to view products by [Honeywell](#) manufacturer:

Other Similar products are found below :

[5SM901-S12](#) [5SM9-S12N195](#) [01.098.1358.1](#) [602EN532](#) [602EN535-RB](#) [602HE5-RB1](#) [604HE162](#) [604HE223-6B](#) [624HE17-RB](#) [6HM82](#)
[6HM89](#) [6SE1](#) [6SX1-H58](#) [70500216](#) [70599106](#) [MBD5B1](#) [MBH2731](#) [73-316-0012](#) [EXD-AR20](#) [79211923](#) [79218589](#) [7AS12](#)
[MIL30126AB6BBMD4A12XAU](#) [ML-1155](#) [ML-1376](#) [831010C3.0](#) [831090C2.EL](#) [83131904](#) [84212012](#) [8AS239](#) [8HM73-3](#) [8SX26-H33](#)
[914CE1-6G](#) [PL-100](#) [11SM1077-H4](#) [11SM1077-H58](#) [11SM1-TN107](#) [11SM405](#) [11SM8423-H2](#) [11SX37-T](#) [11SX48-H58](#) [11SM2442-T](#)
[11SM76-T](#) [11SM77-H58](#) [11SM77-T](#) [11SM863-T](#) [11SM866](#) [A7CN-1M-1-LEFT](#) [A831700C7.0](#) [121EN187-R](#)