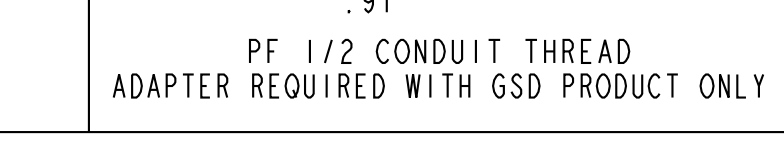
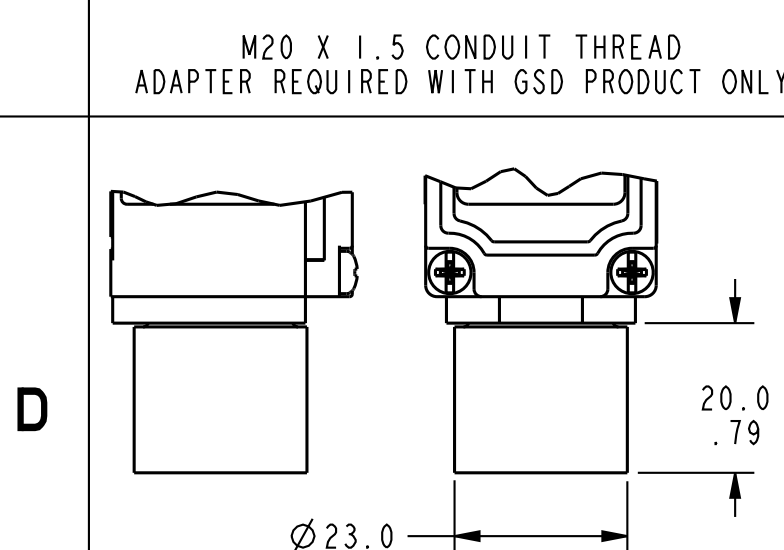
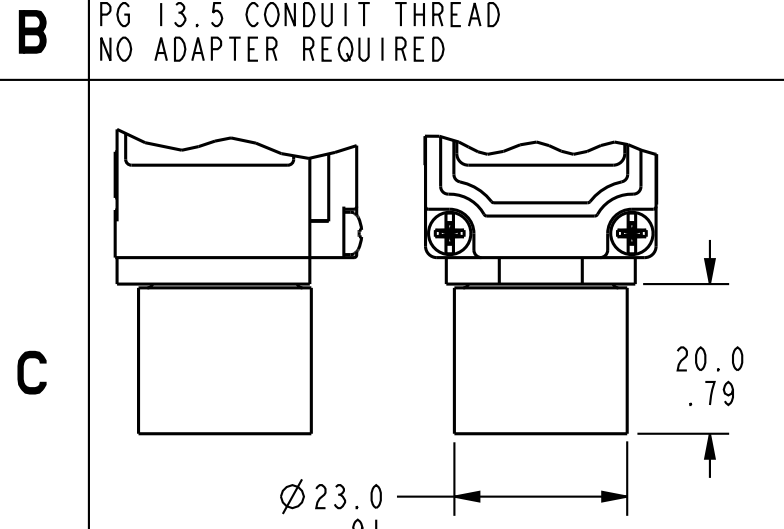
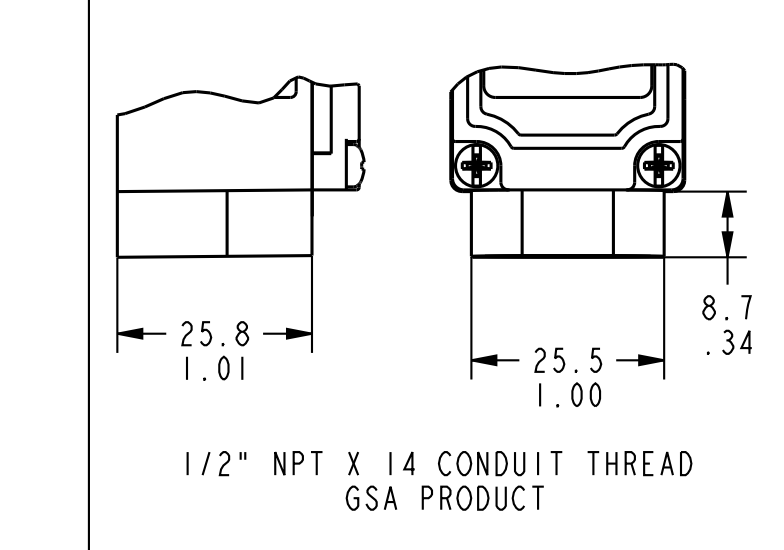
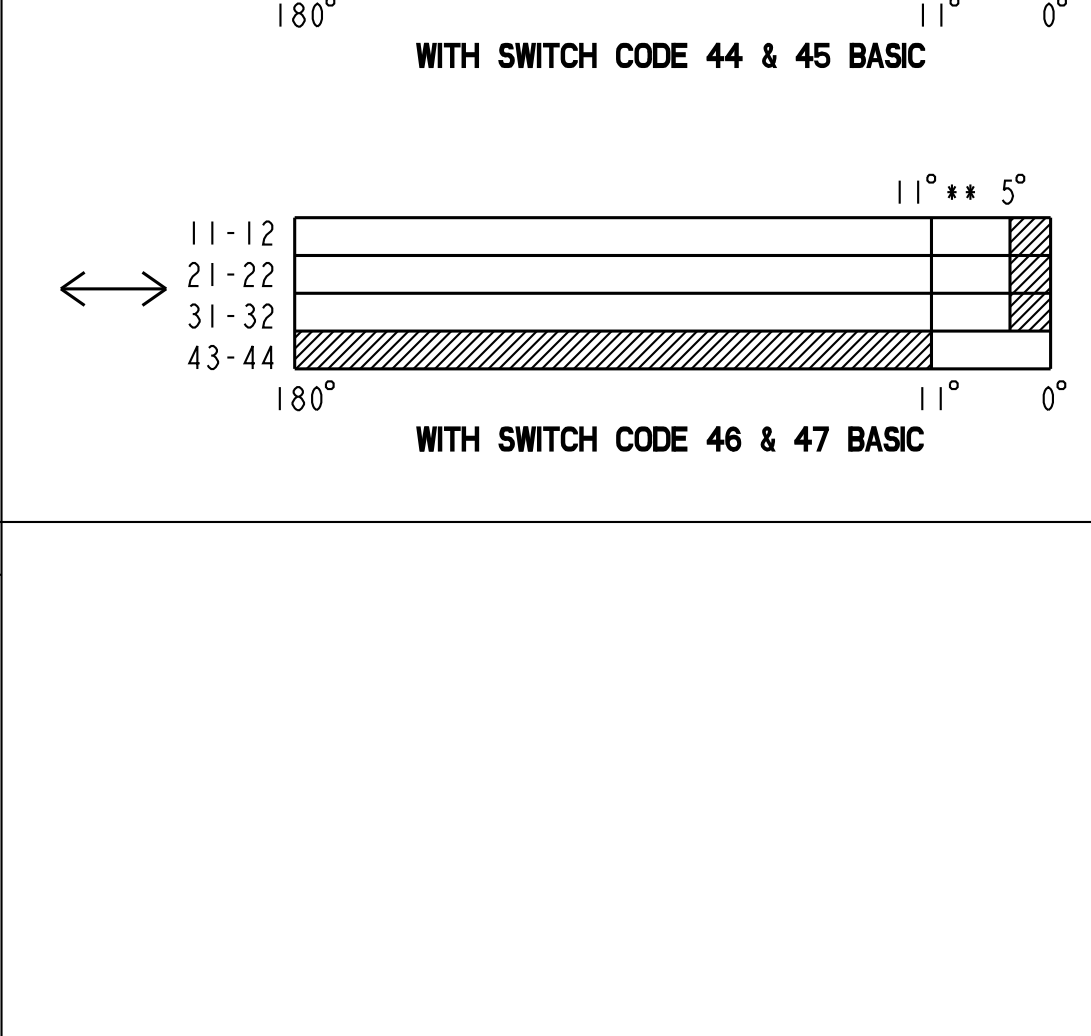
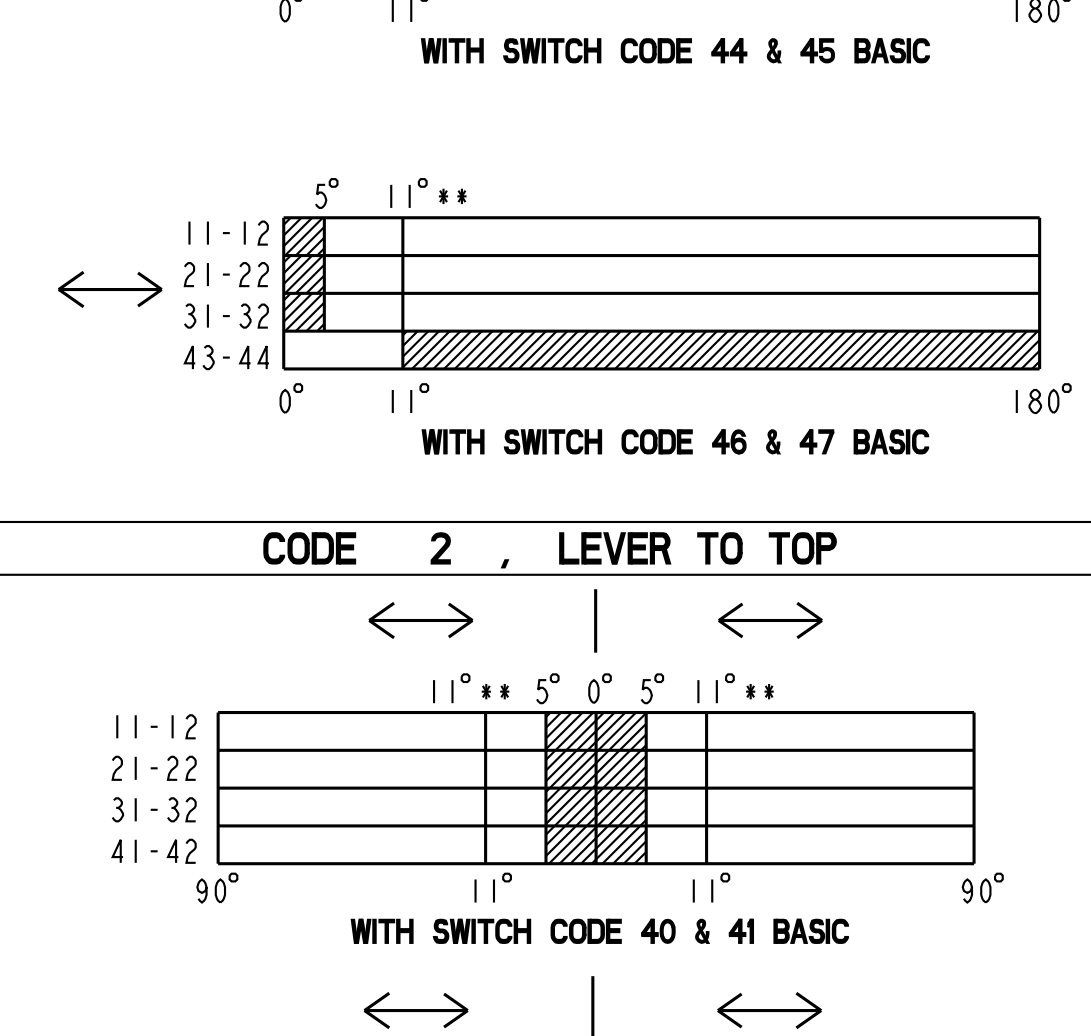
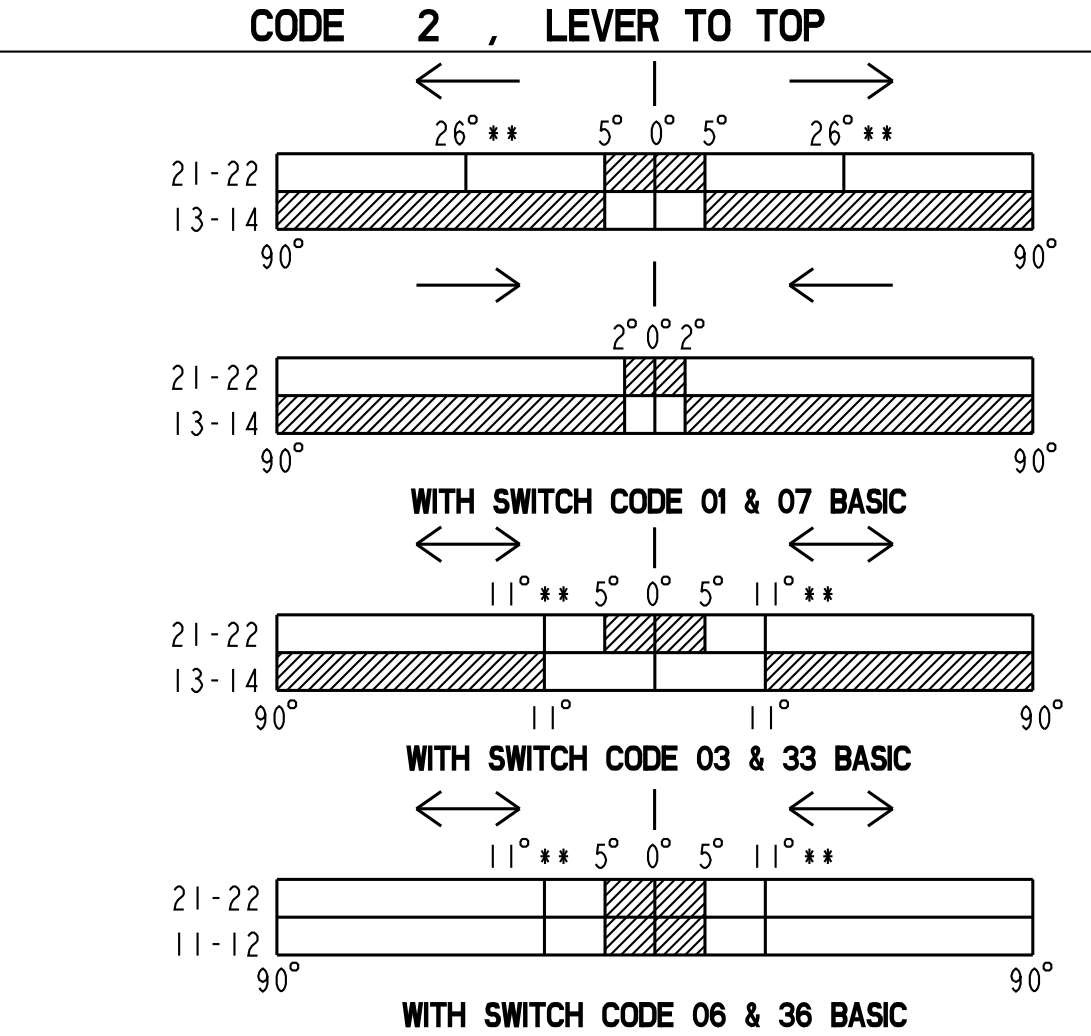
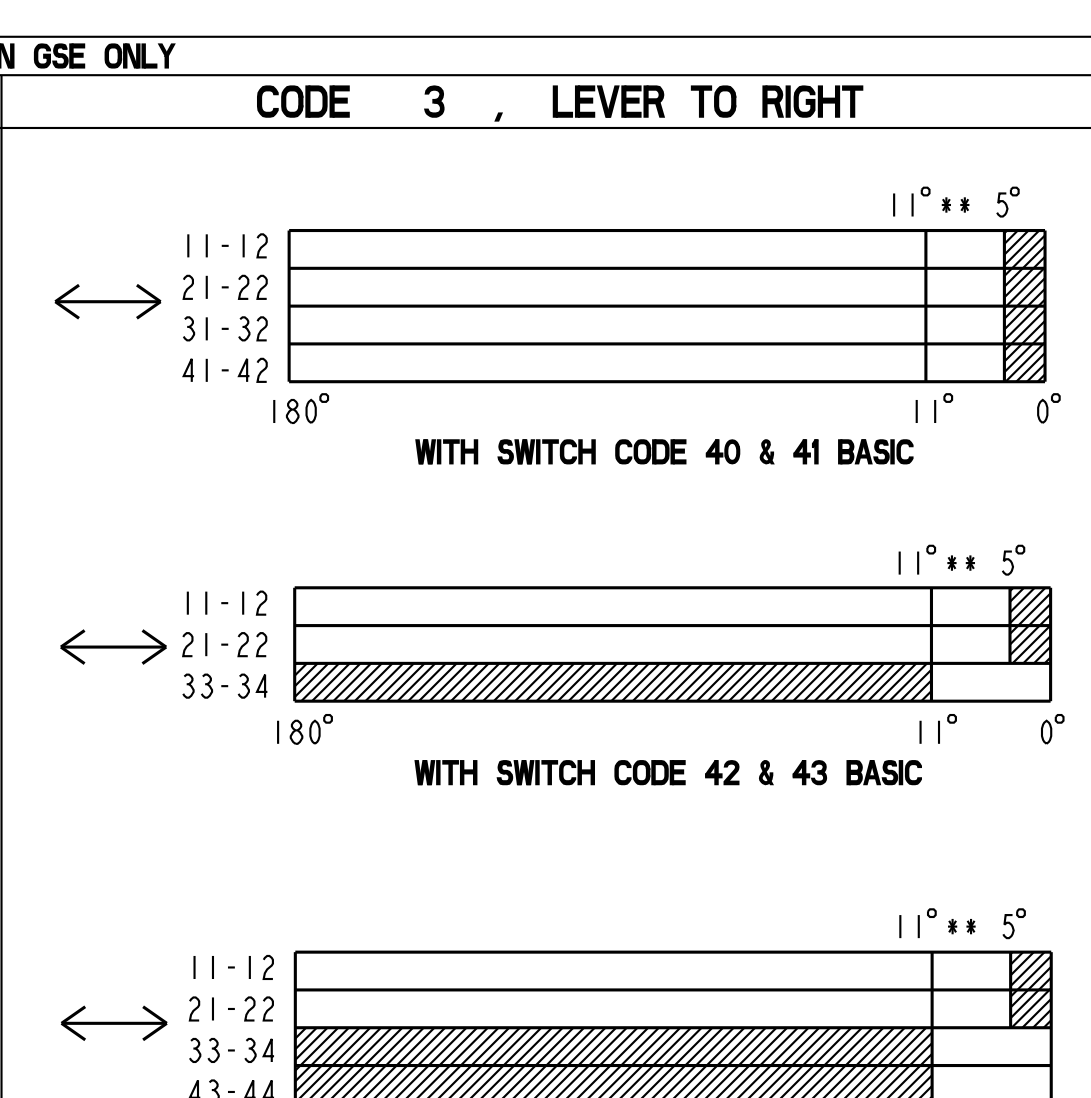
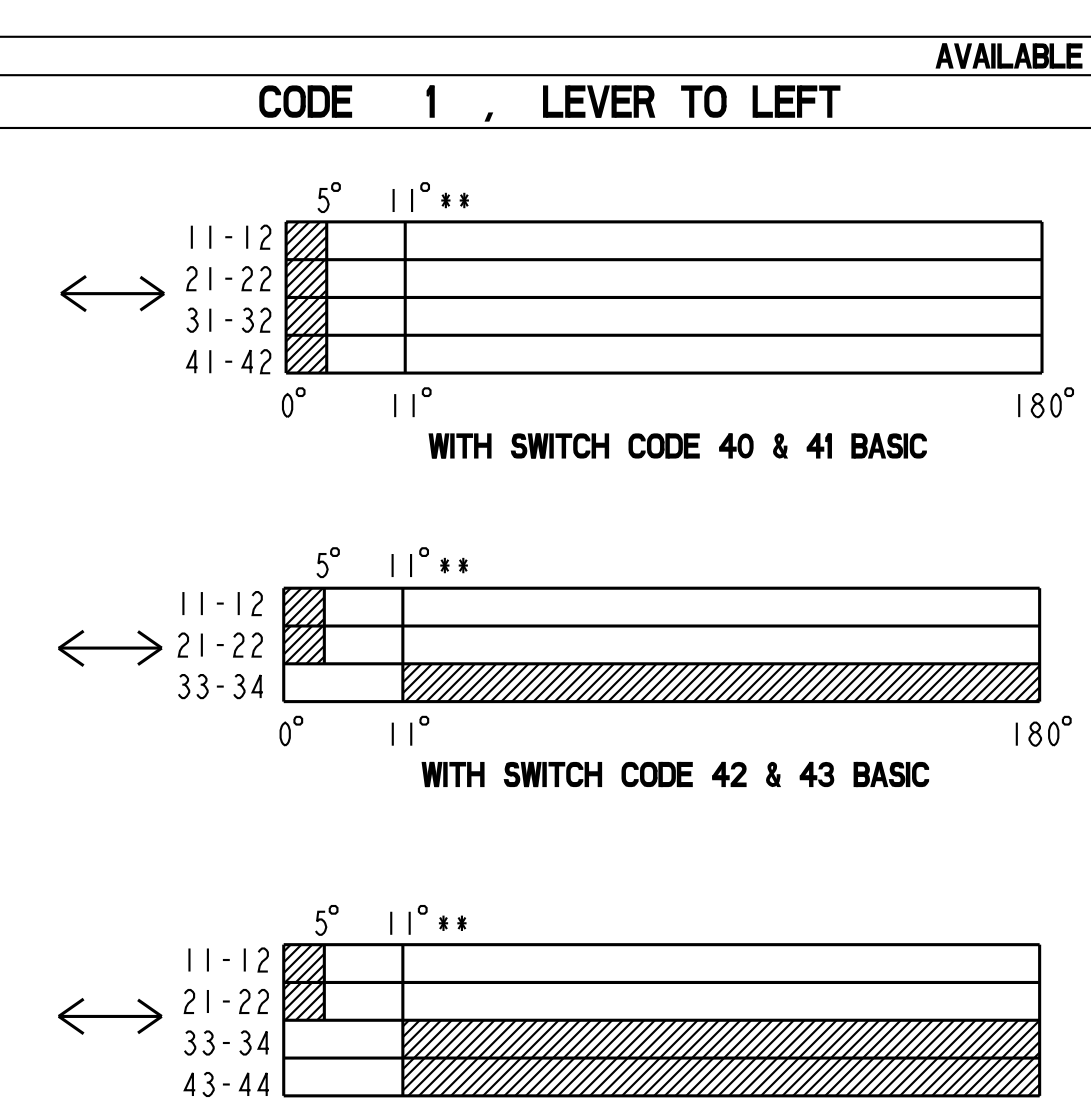
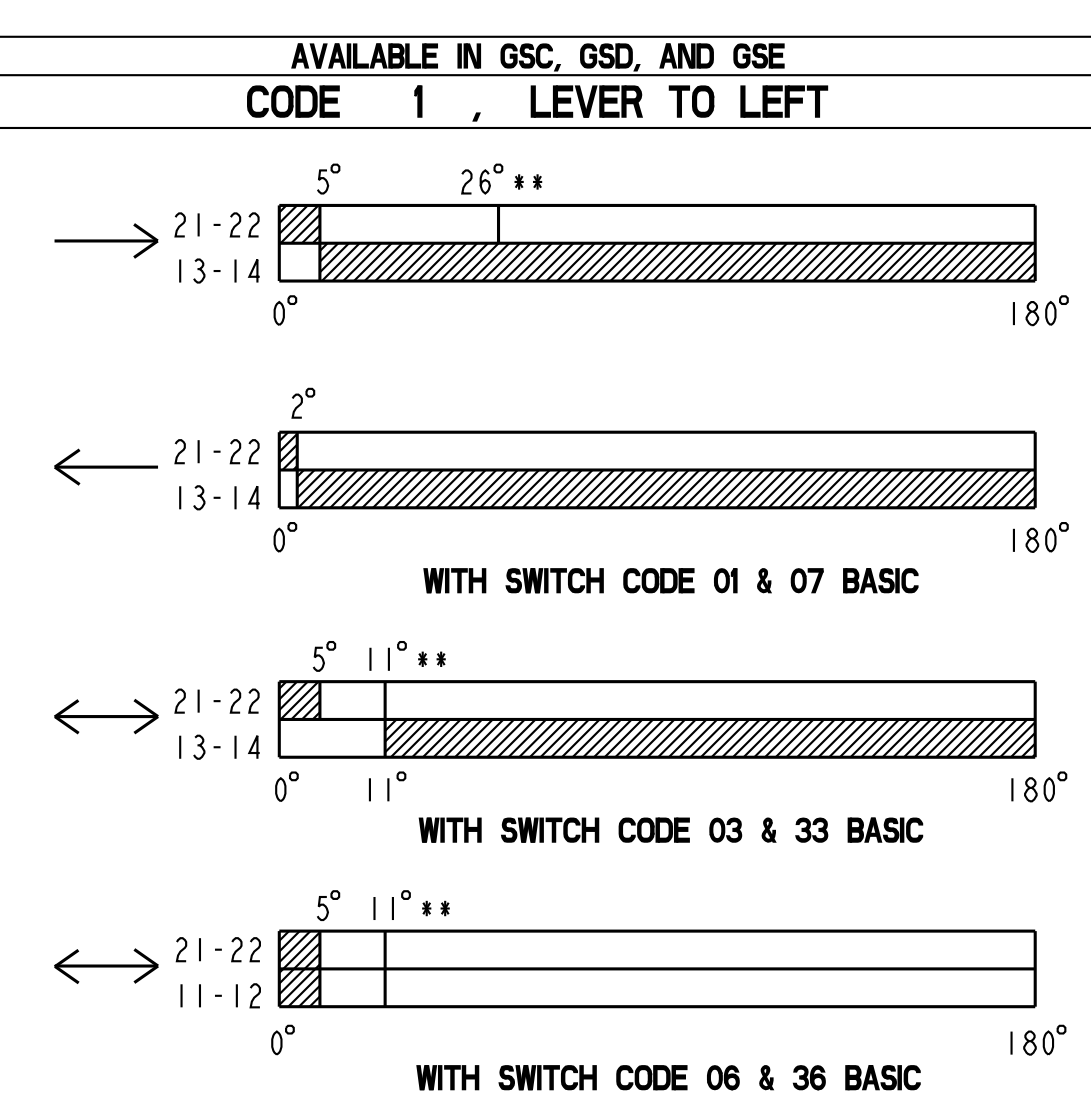


CODE	BODY CODE
C	ZINC DIECAST BODY AND HEAD WITH STEEL COVER, BODY AND COVER FINISHED IN RED EPOXY PAINT HEAD FINISHED IN BLACK EPOXY PAINT
D	RED GLASS FILLED POLYESTER HOUSING AND COVER, ZINC DIECAST HEAD FINISHED IN BLACK EPOXY PAINT
E	ZINC DIECAST BODY AND HEAD WITH STEEL COVER, BODY AND COVER FINISHED IN RED EPOXY PAINT, HEAD FINISHED IN BLACK EPOXY PAINT 3 - CONDUIT



AVAILABLE IN GSC, GSD, AND GSE	AVAILABLE IN GSE ONLY
01 SNAP-ACTION CONTACTS	40 SLOW-ACTION CONTACTS (BREAK BEFORE MAKE)
07 SNAP-ACTION CONTACTS (GOLD PLATED CONTACTS)	41 SLOW-ACTION CONTACTS (BREAK BEFORE MAKE) (GOLD PLATED CONTACTS)
03 SLOW-ACTION CONTACTS (BREAK BEFORE MAKE)	2Y, 1X SLOW-ACTION CONTACTS (BREAK BEFORE MAKE)
33 SLOW-ACTION CONTACTS (BREAK BEFORE MAKE) (GOLD PLATED CONTACTS)	33 SLOW-ACTION CONTACTS (BREAK BEFORE MAKE) (GOLD PLATED CONTACTS)
06 SLOW-ACTION CONTACTS (2 NORMALLY CLOSED)	42 SLOW-ACTION CONTACTS (BREAK BEFORE MAKE)
36 SLOW-ACTION CONTACTS (2 NORMALLY CLOSED) (GOLD PLATED CONTACTS)	43 SLOW-ACTION CONTACTS (BREAK BEFORE MAKE) (GOLD PLATED CONTACTS)
	2Y, 2X SLOW-ACTION CONTACTS (BREAK BEFORE MAKE)
	44 SLOW-ACTION CONTACTS (BREAK BEFORE MAKE)
	45 SLOW-ACTION CONTACTS (BREAK BEFORE MAKE) (GOLD PLATED CONTACTS)
	3Y, 1X SLOW-ACTION CONTACTS (BREAK BEFORE MAKE)
	46 SLOW-ACTION CONTACTS (BREAK BEFORE MAKE)
	47 SLOW-ACTION CONTACTS (BREAK BEFORE MAKE) (GOLD PLATED CONTACTS)



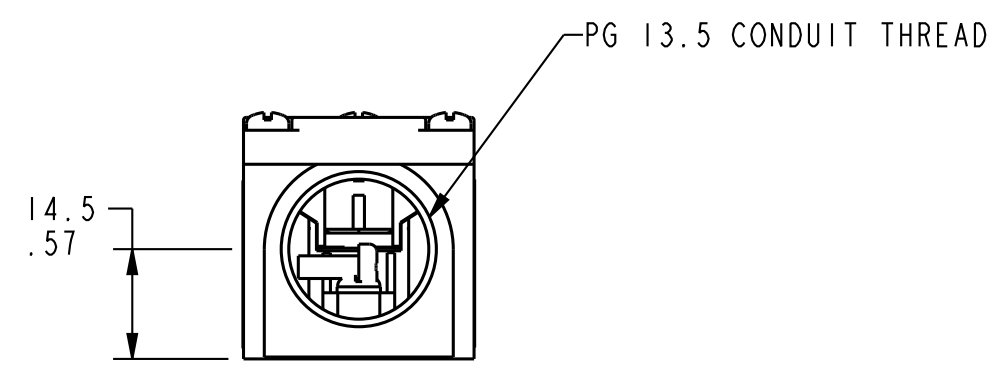
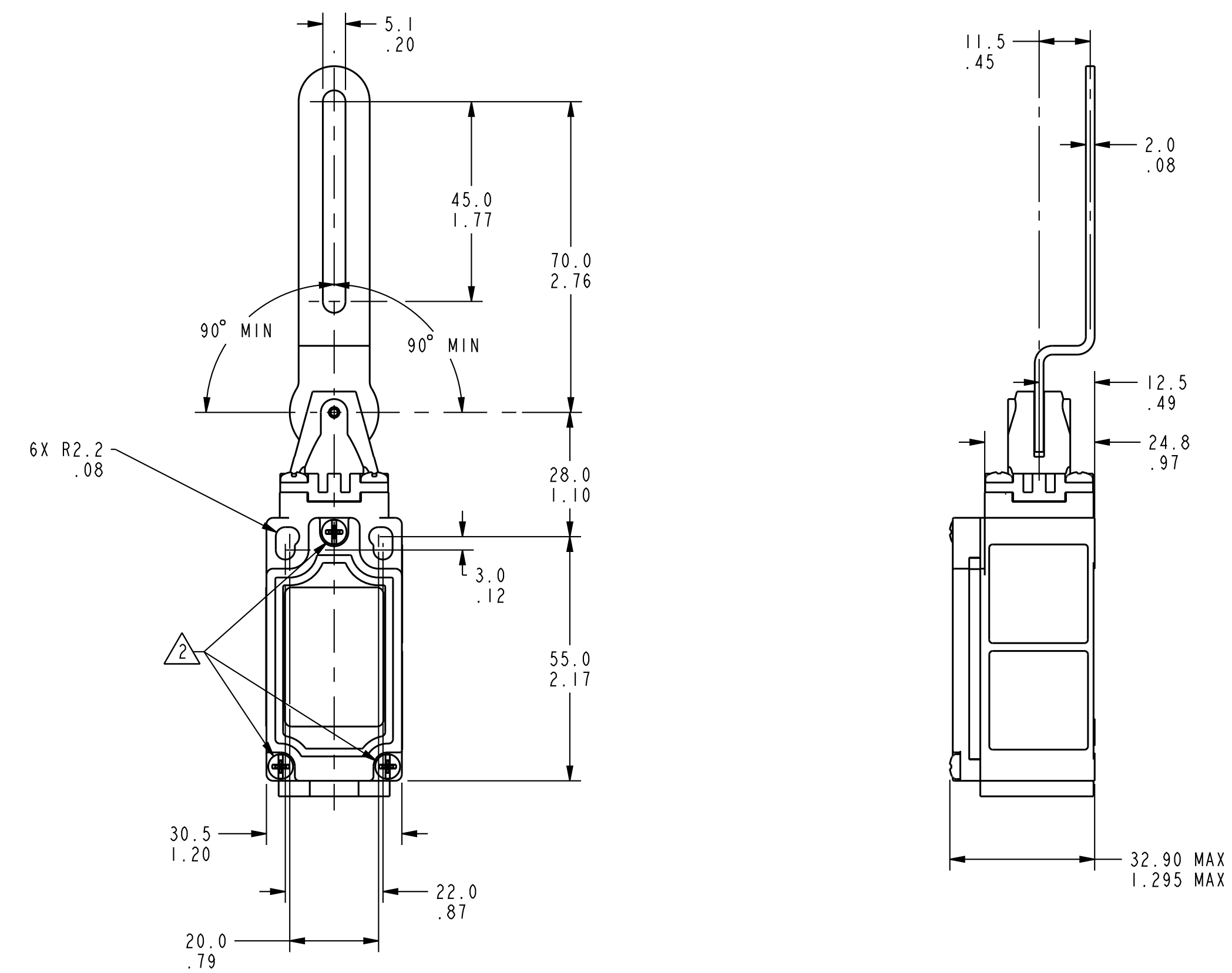
NOTES:
 1 - MAXIMUM OPERATING TORQUE - 1.2 Nm / 1.1 in-lb
 MAXIMUM DISCONNECT TORQUE - 0.16 Nm / 1.5 in-lb
 MAXIMUM TIGHTENING TORQUE FOR FIXING SCREW - 0.5 Nm/4.4 in-lb (GSC & GSE PRODUCTS)
 0.339 Nm/3 in-lb (GSD PRODUCTS)
 2 - IP66/IP67 NEMA 1, 4X (INDOOR USE ONLY), 12, 13 FOR GSD PRODUCTS

ELECTRICAL RATING - Ith = 10A			ENVIRONMENTAL	APPROVALS
SILVER CONTACTS		GOLD PLATED CONTACTS		
AC FOR SWITCH CODES 01, 07, 03, 33	AC FOR SWITCH CODES 06, 36, 40, 41, 42, 43, 44, 45, 46, 47	DC	IP66 NEMA 1, 4, 12, 13 TEMP RANGE: -40°C TO +85°C -40°F TO +185°F STORAGE: -40°C TO +85°C -40°F TO +185°F SHOCK: 50G PER IEC 68-2-27 VIBRATION: 100G PER IEC 68-2-6	 IEC 947-5-1 EN50047
A600 AC15 Ue Ie	A300 AC15 Ue Ie	Q300 DC13 Ue Ie		
VOLTS AMPS 120 6 240 3 380 1.9 480 1.5 500 1.4 600 1.2	VOLTS AMPS 120 6 240 3	VOLTS AMPS 125 0.55 250 0.27	1V 10uA MIN 50V 100mA MAX	

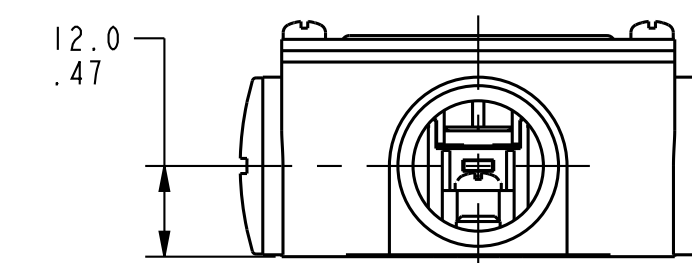
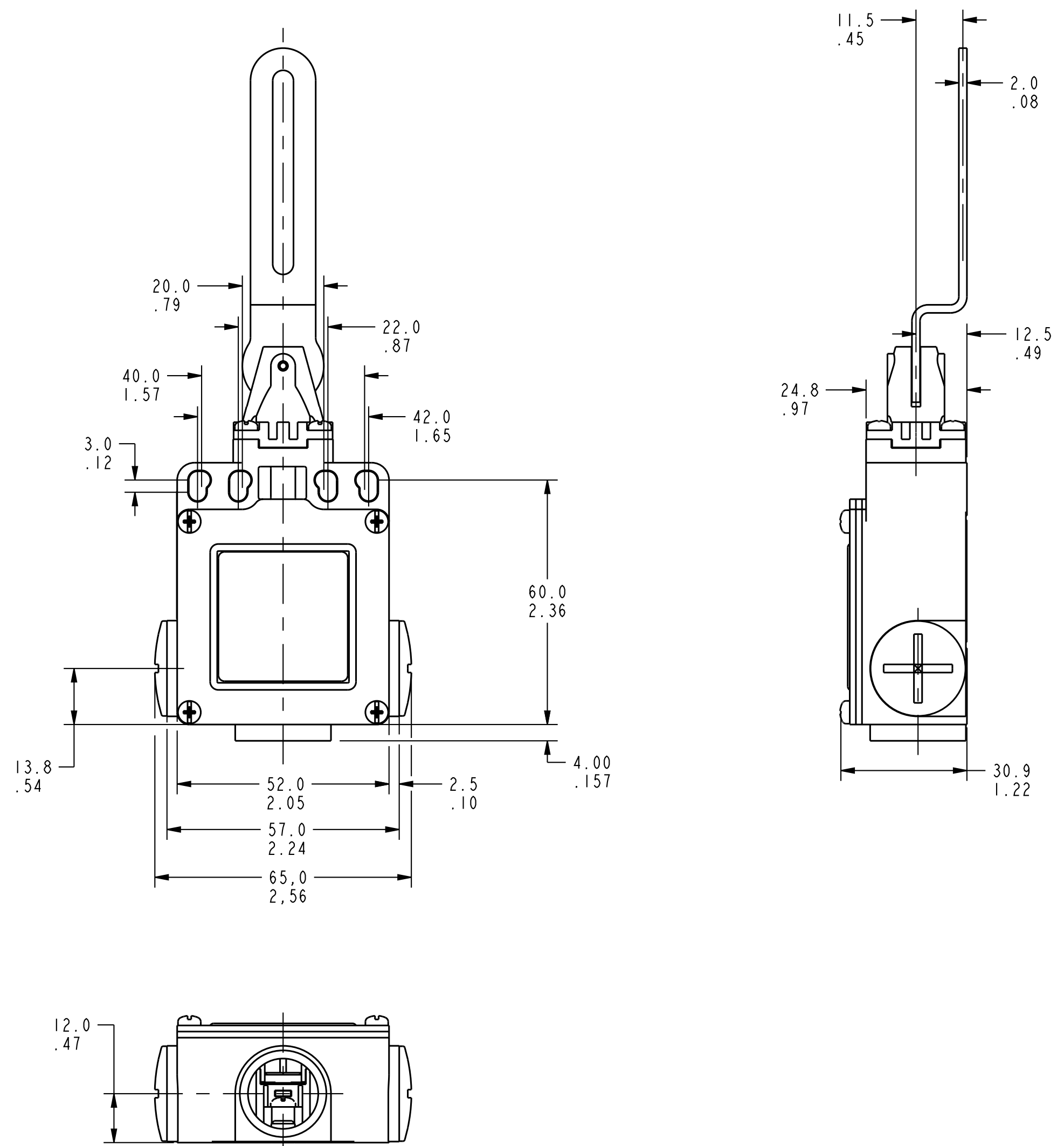


THIS DRAWING COVERS A PROPRIETARY ITEM AND IS THE PROPERTY OF MICRO SWITCH, A DIVISION OF HONEYWELL. THIS DRAWING IS NOT TO BE COPIED OR USED WITHOUT THE APPROVAL OF MICRO SWITCH. FED. MFG. CODE 91929 MICRO SWITCH a Honeywell Division		CATALOG LISTING LIMIT SWITCH GS SERIES CHART 2 SI METRIC DESIGN UNITS <input checked="" type="checkbox"/> SI METRIC <input type="checkbox"/> US CUSTOMARY	
THIRD ANGLE PROJECTION SCALE FULL DO NOT SCALE PRINT TOLERANCES APPLY TO DESIGN UNITS. CONVERSIONS ARE ONLY FOR REFERENCE. UNLESS NOTED, TOLERANCES ARE:		NO PLACES ONE PLACES TWO PLACES THREE PLACES ANGLES	

BODY CODES C AND D

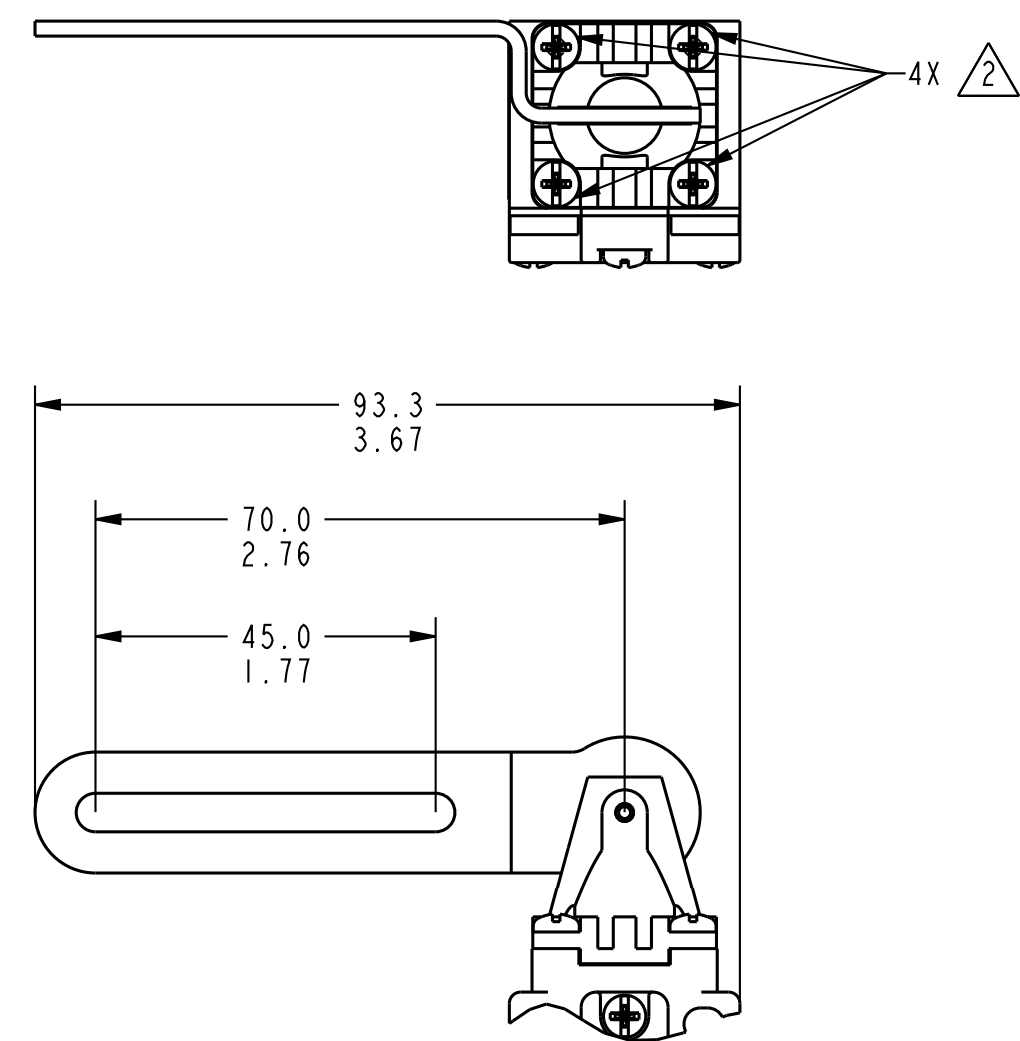


BODY CODE E

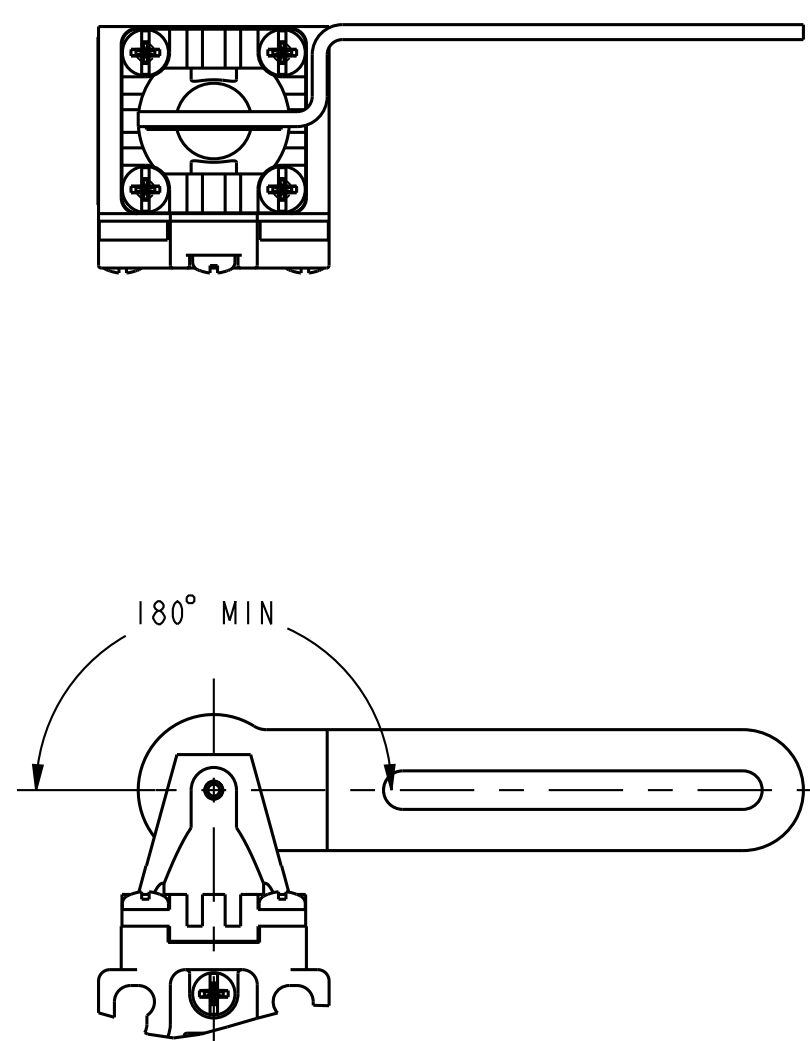


ACTUATOR CODE 2

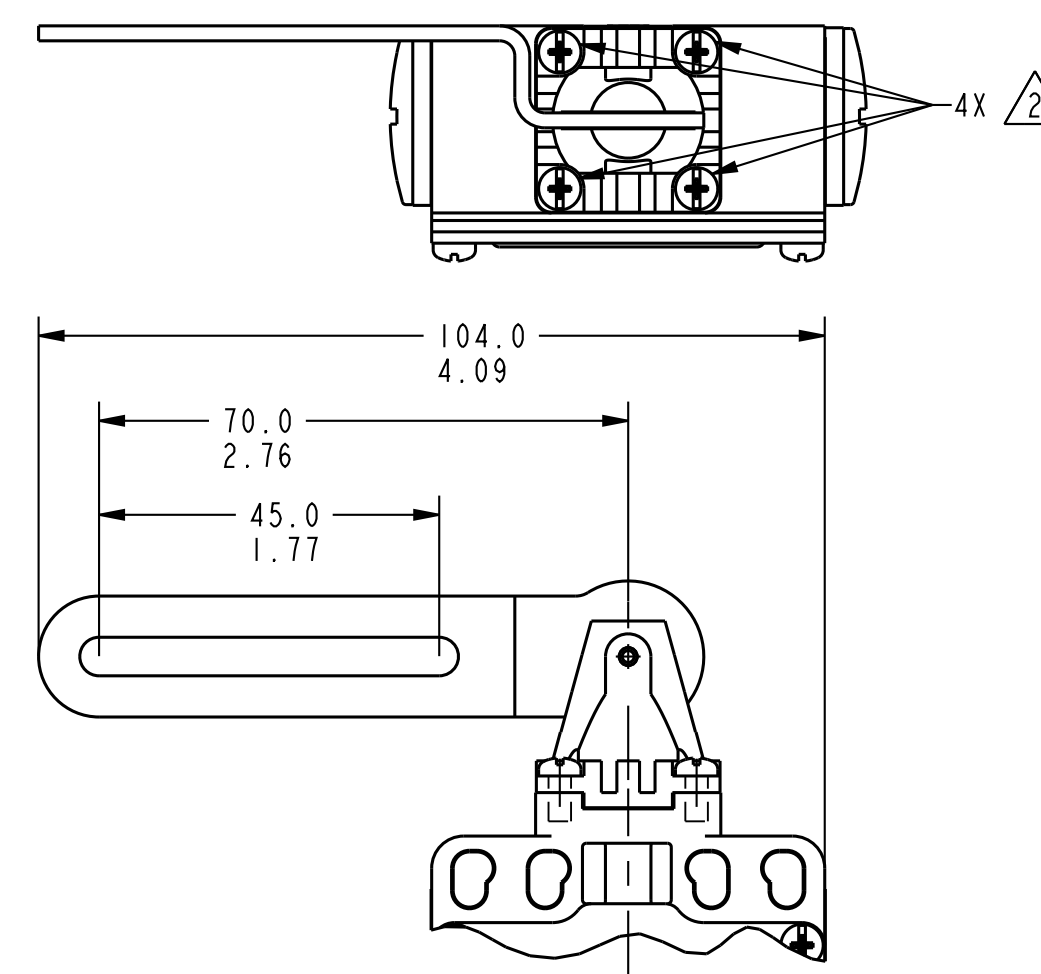
ACTUATOR CODE 2



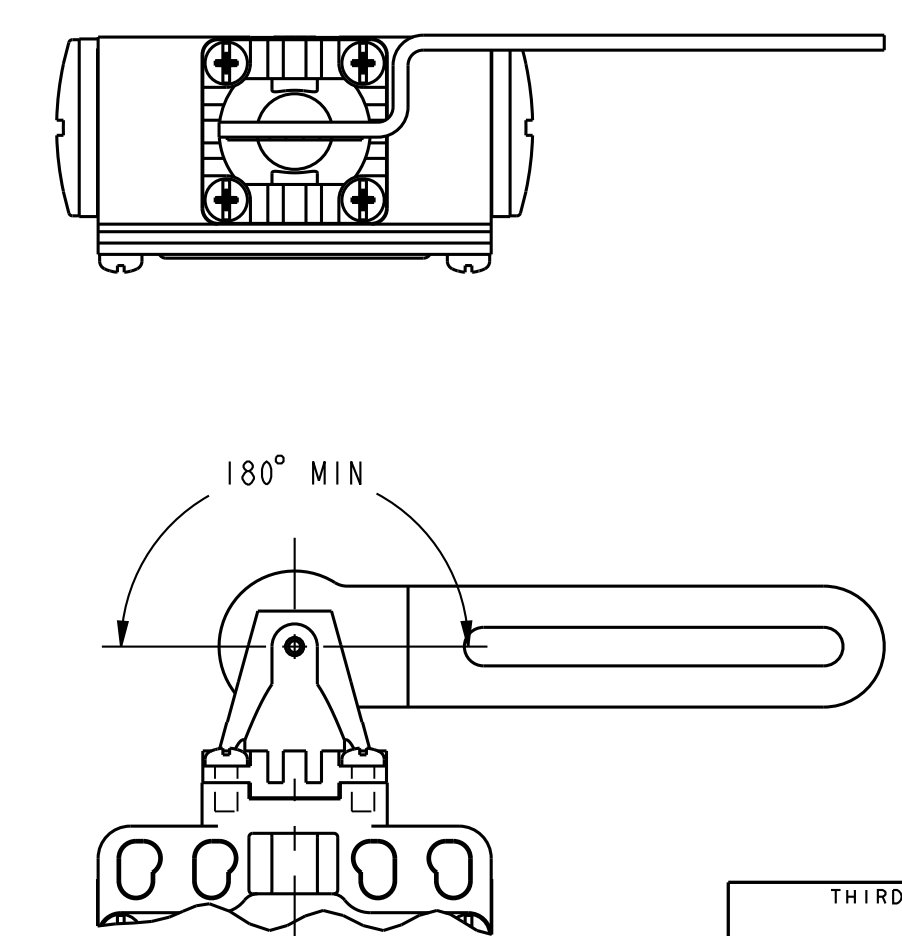
ACTUATOR CODE 1



ACTUATOR CODE 3



ACTUATOR CODE 1



ACTUATOR CODE 3

THIS DRAWING COVERS A PROPRIETARY ITEM AND IS THE PROPERTY OF MICRO SWITCH, A DIVISION OF HONEYWELL. THIS DRAWING IS NOT TO BE COPIED OR USED WITHOUT THE APPROVAL OF MICRO SWITCH.

FED. MFG. CODE 91929

CATALOG LISTING

MICRO SWITCH
a Honeywell Division

LIMIT SWITCH

GS SERIES CHART 2

THIRD ANGLE PROJECTION			
SCALE	FULL		
DO NOT SCALE PRINT			
TOLERANCES			
APPLY TO DESIGN UNITS. CONVERSIONS ARE ONLY FOR REFERENCE. UNLESS NOTED, TOLERANCES ARE:			
NO PLACES	± .005	NO.	± .001
ONE PLACE	± .005	IN.	± .0005
TWO PLACES	± .002	MM	± .0002
THREE PLACES	± .001	MM	± .0001

DESIGN UNITS: SI METRIC US CUSTOMARY

WEIGHT: TBD

ISSUE: 15
 DRAWING NUMBER: 2 OF 2
 RELEASE NO: PR-24250
 CHECK: CMH
 DATE: 090C112
 CHECK: JMA/06
 REVISIONS:
 1 0005182
 20 MAY 84
 M 0022233
 31 MAY 86
 N 0063072
 08 APR 90
 P 0094575
 09 OCT 92
 PTC/CAD
 S. A. V. 180C199
 S. A. V. 180C199

X-ON Electronics

Largest Supplier of Electrical and Electronic Components

Click to view similar products for [Basic / Snap Action Switches](#) category:

Click to view products by [Honeywell](#) manufacturer:

Other Similar products are found below :

[5SM901-S12](#) [5SM9-S12N195](#) [01.098.1358.1](#) [602EN532](#) [602EN535-RB](#) [602HE5-RB1](#) [604HE162](#) [604HE223-6B](#) [624HE17-RB](#) [6HM82](#)
[6HM89](#) [6SE1](#) [6SX1-H58](#) [70500216](#) [70599106](#) [MBD5B1](#) [MBH2731](#) [73-316-0012](#) [EXD-AR20](#) [79211923](#) [79218589](#) [7AS12](#)
[MIL30126AB6BBMD4A12XAU](#) [ML-1155](#) [ML-1376](#) [831010C3.0](#) [831090C2.EL](#) [83131904](#) [84212012](#) [8AS239](#) [8HM73-3](#) [8SX26-H33](#)
[914CE1-6G](#) [PL-100](#) [11SM1077-H4](#) [11SM1077-H58](#) [11SM1-TN107](#) [11SM405](#) [11SM8423-H2](#) [11SX37-T](#) [11SX48-H58](#) [11SM2442-T](#)
[11SM76-T](#) [11SM77-H58](#) [11SM77-T](#) [11SM863-T](#) [11SM866](#) [A7CN-1M-1-LEFT](#) [A831700C7.0](#) [121EN187-R](#)