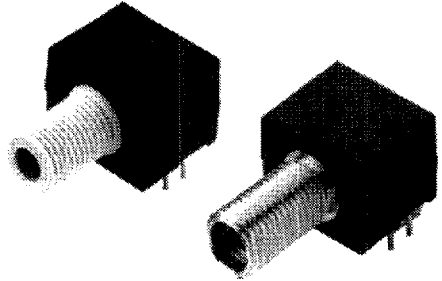


HFX6015-XXX

FOR INDUSTRIAL BUS SYSTEMS

FEATURES

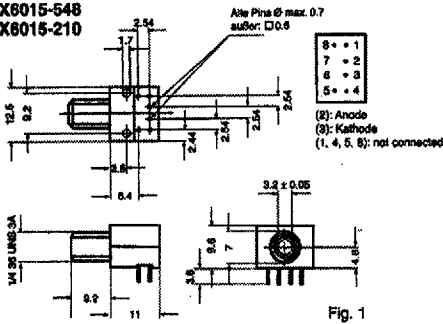
- Super bright LED for optical fiber communication
- High accuracy by use of special plastic package with centered LED die
- High output at suitable peak wavelength (typ.) for plastic fiber
- High frequency cut-off, most suited for high speed data transmissions ($f_c = \text{typ. } 7 \text{ MHz}$)
- HFX6015-200: Metal barrel for high mechanical stability
- HFX6015-200: Separate grounding of barrel for optimum EMI/RFI shielding



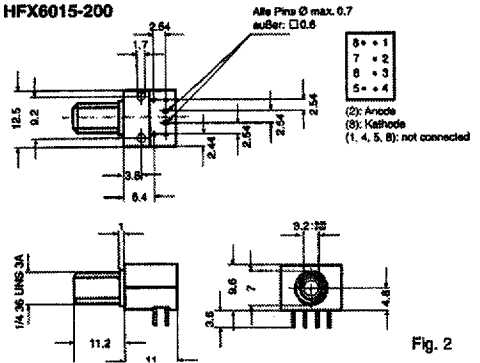
opho_234.TIF

OUTLINE DIMENSIONS in inches (mm)

HFX6015-548
HFX6015-210



HFX6015-200



ODIM_232.TIF

OGRA-166.TIF

4551830 0021824 151

Honeywell

Honeywell reserves the right to make changes in order to improve design and supply the best products possible.

HFX6015-XXX

FOR INDUSTRIAL BUS SYSTEMS

ELECTRO-OPTICAL CHARACTERISTICS

PARAMETER	SYMBOL	MIN	TYP	MAX	UNITS	TEST
Peak Wavelength	λ_p		660		nm	$I_F = 30 \text{ mA}^{(1)}$
Spectral Line Half Width	$\Delta\lambda$		30		nm	$I_F = 30 \text{ mA}^{(1)}$
Forward Voltage	V_F		2.5		V	$I_F = 30 \text{ mA}^{(1)}$
Reverse Current	I_R		4		μA	$V_R = 4 \text{ V}$
Capacitance	C_c		50		pF	
Response Time	t_{rr}, t_f		50		ns	$I_F = 30 \text{ mA}^{(1)}$

Note

1. Derate Linearly from 25°C: 0.93 mA/°C

HFX6015-200 (FIG.2) SERCOS

PARAMETER	SYMBOL	MIN	TYP	MAX	UNITS	TEST
Coupled Power	P_c	300			μW	$I_F = 30 \text{ mA}^{(1)}$ 1 mm fibre

HFX6015-210 (FIG.1) GENERAL PURPOSE BUS APPLICATIONS

PARAMETER	SYMBOL	MIN	TYP	MAX	UNITS	TEST
Coupled Power	P_c	300			μW	$I_F = 30 \text{ mA}^{(1)}$ 1 mm fibre

HFX6015-4XX PROFIBUS

PARAMETER	SYMBOL	MIN	TYP	MAX	UNITS	TEST
Coupled Power	P_c	-5.5			dBm	1 mm fibre

HFX6015-4XX PROFIBUS

PARAMETER	SYMBOL	MIN	TYP	MAX	UNITS	TEST
Coupled Power	P_c	400		1100	μW	$I_F = 4 \text{ mA}$

ABSOLUTE MAXIMUM RATINGS

(25°C Free-Air Temperature unless otherwise noted)

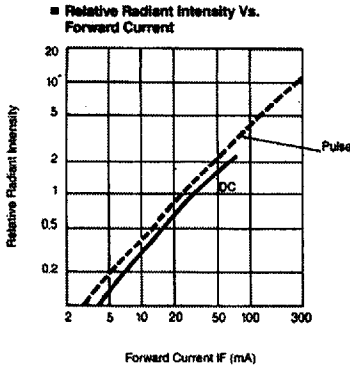
Forward current	70 mA
Peak forward current	300 mA
Reverse voltage	+4 V
Power dissipation	140 mW
Operating temperature	-30 to +85°C
Storage temperature	260°C, 5 sec (3,0 mm from body)

4551830 0021825 098

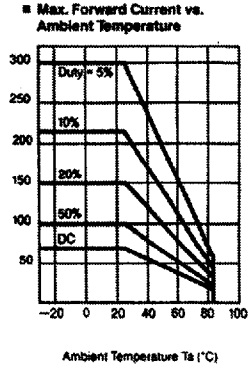
Honeywell

HFX6015-XXX

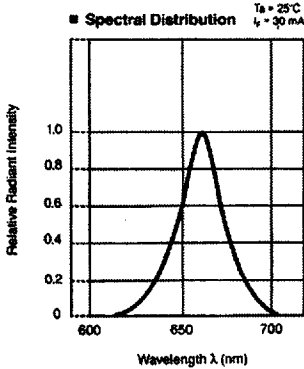
FOR INDUSTRIAL BUS SYSTEMS



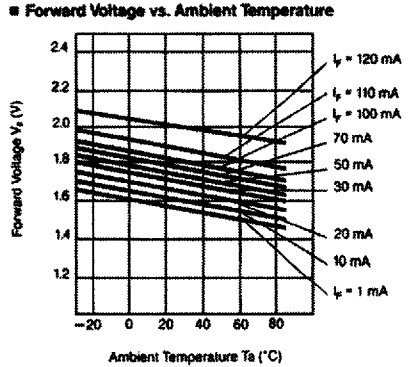
OGRA_152.TIF



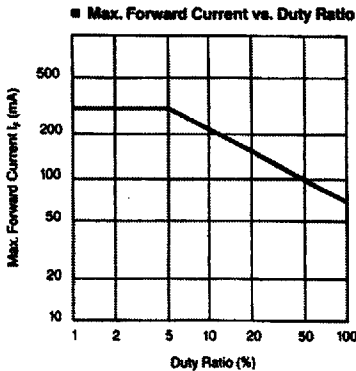
OGRA_153.TIF



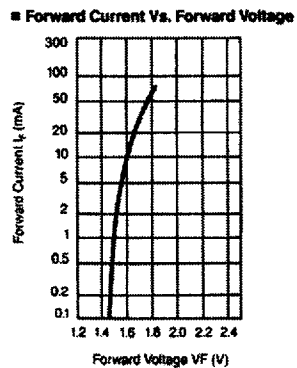
OGRA_154.TIF



OGRA_155.TIF



OGRA_156.TIF



OGRA_157.TIF

4551830 0021826 T24

Honeywell

Honeywell reserves the right to make changes in order to improve design and supply the best products possible.

X-ON Electronics

Largest Supplier of Electrical and Electronic Components

Click to view similar products for [Fibre Optic Transmitters, Receivers, Transceivers](#) category:

Click to view products by [Honeywell](#) manufacturer:

Other Similar products are found below :

[HFBR-1532ETZ](#) [STV.2413-574-00262](#) [TRPRG1VA1C000E2G](#) [SCN-1428SC](#) [TORX1355\(V,F\)](#) [HFD8003-002/XBA](#) [HFD3020-500-ABA](#)
[FTLF1429P3BCVA](#) [FOC-FDX20-PP-LCD6-MM](#) [SCN-2638SC](#) [FOC-FDX20-PP-LCD6-OSP-PT9](#) [FTLC9555FEPM](#) [TQS-QG4H9-J83](#) [SCN-1570SC](#) [SCN-1601SC](#) [SCN-1338SC](#) [SFPPT-SR3-01](#) [FTLC9555SEPM](#) [2333569-1](#) [LNK-ST11HB-R6](#) [FTL4C1QL3C](#) [SPTSBP4LLCDF](#)
[SPTMBP1PMCDF](#) [SPTSHP2PMCDF](#) [SF-NLNAMB0001](#) [SPTS LP2SLCDF](#) [SPTSQP4LLCDF](#) [1019682](#) [1019683](#) [1019705](#) [HFBR-5963ALZ](#)
[OPF693-2](#) [FTLX1472M3BNL](#) [AFBR-5803ATQZ](#) [AFBR-5803ATZ](#) [AFBR-5805AZ](#) [AFBR-5903Z](#) [AFBR-5978Z](#) [PLR135/T9](#) [TGW-Q14BB-FCQ](#) [AFBR-5805Z](#) [AFBR-5803AZ](#) [FTLF1428P3BNV](#) [TQS-Q1LH8-XCA03](#) [TQS-Q1LH8-XCA05](#) [TQS-Q1LH8-XCA10](#) [TQS-Q1LH9-2CA](#) [AFBR-1634Z](#) [HFBR-1414Z](#) [HFBR-1527Z](#)