

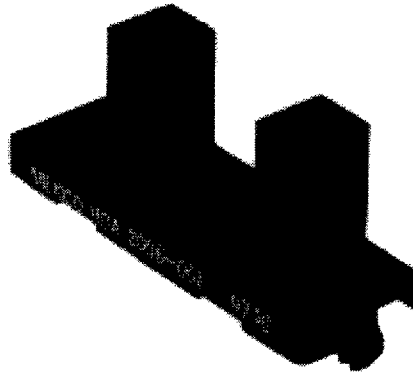
## Infrared Assemblies

Wide Gap Transmissive Optoschmitt Sensor

*HOA2006 Series*

### FEATURES

- Direct TTL interface
- Buffer logic
- Visible ambient light and dust protective filter
- 12 mm (0.47 in.) slot width
- Snap-in housing



The HOA2006 consists of an infrared emitting diode facing an Optoschmitt detector encased in a black thermoplastic housing. The photodetector consists of a photodiode, amplifier, voltage regulator, schmitt trigger, and an NPN output transistor with a 10 K ohm (nominal) pull-up resistor. The buffer logic provides a high output when the optical path is clear, and a low output when the path is blocked. Both emitter and detector have 1,52 mm (0.060 in.) x 1,52 mm (0.060 in.) vertical apertures.

The sensor housing contains IR (Infrared) transmissive optical windows. This arrangement provides excellent protection against visible ambient light while eliminating aperture openings which could be clogged by airborne contaminants.

Housing material is polycarbonate. Housings are soluble in chlorinated hydrocarbons and ketones. Recommended cleaning agents are methanol and isopropanol.

# Infrared Assemblies

## Wide Gap Transmissive Optoschmitt Sensor

HOA2006 Series

### ABSOLUTE MAXIMUM RATINGS (25°C free-air temperature unless otherwise noted)

Operating Temperature Range	-40°C to 70°C
Storage Temperature Range	-40°C to 85°C
Soldering Temperature (5 sec)	240°C

### IR EMITTER

Power Dissipation	100 mW <sup>(1)</sup>
Reverse Voltage	3 V
Continuous Forward Current	50 mA

### DETECTOR

Supply Voltage	12 V <sup>(2)</sup>
Output Sink Current	18 mA
Duration of Output Short to V <sub>cc</sub> or Ground	1.0 sec.

### Notes:

1. Derate linearly at 0.78 mW/°C above 25°C.
2. Derate linearly from 25°C to 5.5 V at 70°C.

### CAUTION

#### STRESS DAMAGE

Functional operation of the device at or above "Absolute Maximum Ratings" for extended periods of time may affect reliability.

**Failure to comply with these instructions may result in product damage.**

### ELECTRICAL CHARACTERISTICS (25°C unless otherwise noted)

Parameter	Symbol	Min	Typ	Max	Unit	Test Condition
<b>IR EMITTER</b>						
Forward Voltage	V <sub>F</sub>			1.7	V	I <sub>F</sub> =20 mA
Reverse Leakage Current	I <sub>R</sub>			10	μA	V <sub>R</sub> =3 V
<b>DETECTOR</b>						
Operating Supply Voltage	V <sub>cc</sub>	4.5		12	V	
Low Level Supply Current	I <sub>ccl</sub>	4.0		12	mA	V <sub>cc</sub> =5 V
		5.0		15		V <sub>cc</sub> =12 V
High Level Supply Current	I <sub>cch</sub>	2.0		10	mA	V <sub>cc</sub> =5 V
		3.0		12		V <sub>cc</sub> =12 V
Low Level Output Voltage	V <sub>ol</sub>			0.4	V	I <sub>ol</sub> =12.8 mA, I <sub>F</sub> =0 mA
High Level Output Voltage	V <sub>oh</sub>	2.4			V	I <sub>oh</sub> =0, I <sub>F</sub> =20 mA
Hysteresis <sup>(1)</sup>	HYST		10		%	
Propagation Delay	t <sub>PLH</sub> , t <sub>PHL</sub>		5		μs	V <sub>cc</sub> =5 V, I <sub>F</sub> =20 mA
Low-High, High-Low						
Rise Time	t <sub>r</sub>		60		ns	R <sub>L</sub> =390 Ω, C <sub>L</sub> =50 pF
Fall Time	t <sub>f</sub>		15		ns	R <sub>L</sub> =390 Ω, C <sub>L</sub> =50 pF
<b>COUPLED CHARACTERISTICS</b>						
IRET Trigger Current	I <sub>FT</sub>			20	mA	V <sub>cc</sub> =5 V

### Notes:

\*Add a bypass capacitor, 0.1 μF typical, between V<sub>cc</sub> and GND near the device in order to stabilize the power supply line.

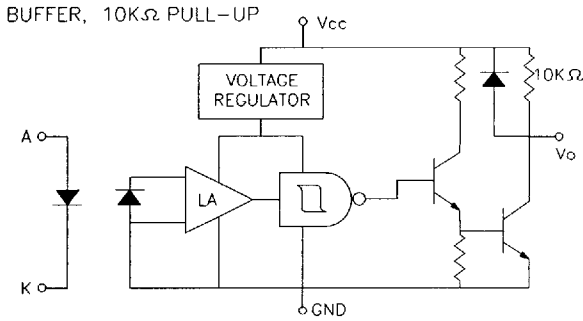
1. Hysteresis is defined as the difference between the operating and release threshold intensities, expressed as a percentage of the operate threshold intensity.

# Infrared Assemblies

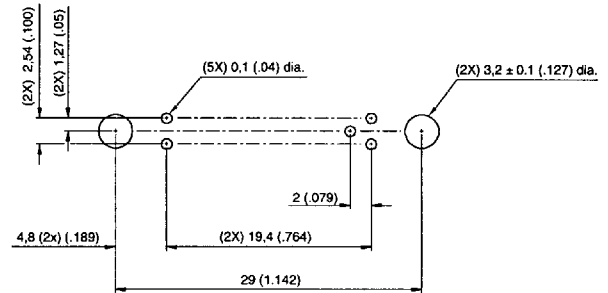
## Wide Gap Transmissive Optoschmitt Sensor

HOA2006 Series

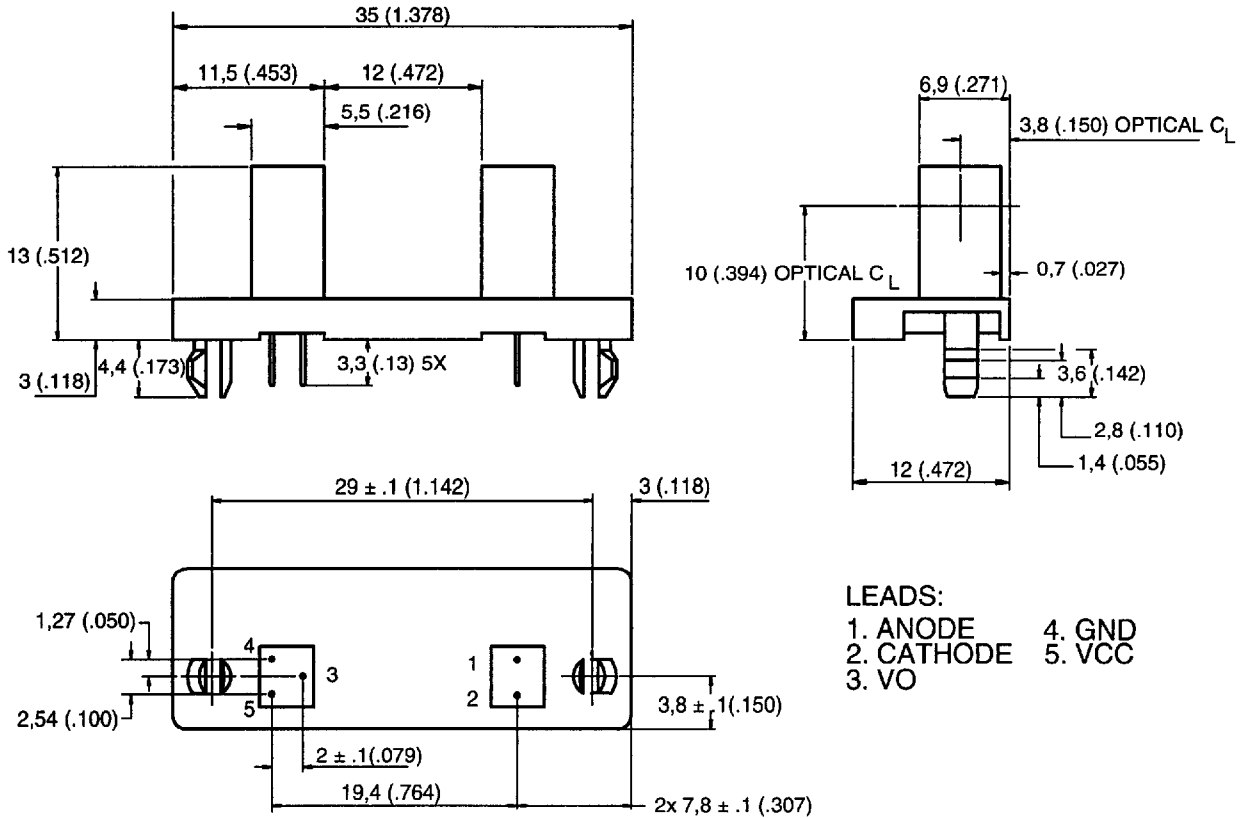
### SCHEMATIC



### RECOMMENDED PCB MOUNTING HOLE DIMENSIONS mm (in.)



### OUTLINE DIMENSIONS mm (in.) (for reference only)



# Infrared Assemblies

Wide Gap Transmissive Optoschmitt Sensor

*HOA2006 Series*

## ORDER GUIDE

Catalog Listing	Description
HOA2006-001	Wide Gap Transmissive Optoschmitt Sensor

## WARRANTY/REMEDY

Honeywell warrants goods of its manufacture as being free of defective material and faulty workmanship. Contact your local sales office for warranty information. If warranted goods are returned to Honeywell during that period of coverage, Honeywell will repair or replace without charge those items it finds defective. The foregoing is Buyer's sole remedy and is **in lieu of all other warranties, expressed or implied, including those of merchantability and fitness for a particular purpose.**

While we provide application assistance, personally, through our literature, and through the Honeywell website, it is up to the customer to determine the suitability of the product in the application.

Specifications may change at any time without notice. The information we supply is believed to be accurate and reliable as of this printing. However, we assume no responsibility for its use.

## SALES AND SERVICE

MICRO SWITCH Sensing and Control serves its customers through a worldwide network of sales offices and distributors. For application assistance, current specifications, pricing or name of the nearest Authorized Distributor, contact a nearby sales office or call:

## TELEPHONE

1-800-537-6945 (USA)  
1-800-737-3360 (Canada)  
1-815-235-6847 (International)

## FAX

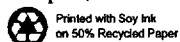
1-815-235-6545 (USA)

## INTERNET

[www.honeywell.com/sensing](http://www.honeywell.com/sensing)  
[info@micro.honeywell.com](mailto:info@micro.honeywell.com)

# Honeywell

MICRO SWITCH  
Sensing and Control  
Honeywell Inc.  
11 West Spring Street  
Freeport, Illinois 61032



006456-1-EN IL50 GLO 1298 Printed in USA

[www.honeywell.com/sensing](http://www.honeywell.com/sensing)

■ 4551830 0024197 687 ■

## X-ON Electronics

Largest Supplier of Electrical and Electronic Components

*Click to view similar products for* [Optical Switches, Transmissive, Photo IC Output](#) *category:*

*Click to view products by* [Honeywell](#) *manufacturer:*

Other Similar products are found below :

[EESX4009P1MID1](#) [HOA6991-500](#) [OPB916BOCZ](#) [OPB917BOCZ](#) [OPB917IOCZ](#) [EE-SX460-P1](#) [OPB932W51Z](#) [OPB992N55Z](#) [OPB122B](#)  
[OPB120B](#) [OPB121B](#) [OPB916BZ](#) [GP1A51HRJ00F](#) [HOA0901-011](#) [HOA0971-N51](#) [HOA0973-N51](#) [HOA0973-T51](#) [HOA2006-001](#)  
[HOA2007-001](#) [HOA6961-T51](#) [HOA6962-T55](#) [HOA6970-T55](#) [HOA6971-T55](#) [HOA6972-T51](#) [HOA6981-L55](#) [HOA6981-P51](#) [HOA6981-](#)  
[T55](#) [HOA6982-T51](#) [HOA6983-T55](#) [HOA6991-T55](#) [HOA6992-N55](#) [HOA6992-P51](#) [HOA6994-T51](#) [EE-SX461-P1](#) [EE-SA407-P2](#) [EE-](#)  
[SPX303-N](#) [EE-SX3009-P1](#) [EE-SX301](#) [EE-SX3070](#) [EE-SX3081](#) [EE-SX3088](#) [EE-SX3088-W11](#) [EE-SX3096-W11](#) [EE-SX3160-W11](#) [EE-](#)  
[SX3162-P2](#) [EE-SX3163-P2](#) [EE-SX3164-P1](#) [EE-SX3239-P2](#) [EE-SX328](#) [EE-SX3340](#)