

MICRO SWITCH

A DIVISION OF MINNEAPOLIS-HONEYWELL REGULATOR COMPANY
MIDWEST, ILLINOIS

FED. MFR. CODE 91929

ACTUATOR-SWITCH

CATALOG LISTING

JE-13

JE-13

M

DRAWING NUMBER

2

ISSUE

CHECK

REVISIONS
A CO 61293
WJM
14 APR 67

CHECK

CHECK

CHECK

CHECK

CHECK

CHECK

CHECK

CHECK

CHECK

CHECK

CHECK

REPLACES

RELEASE NO.

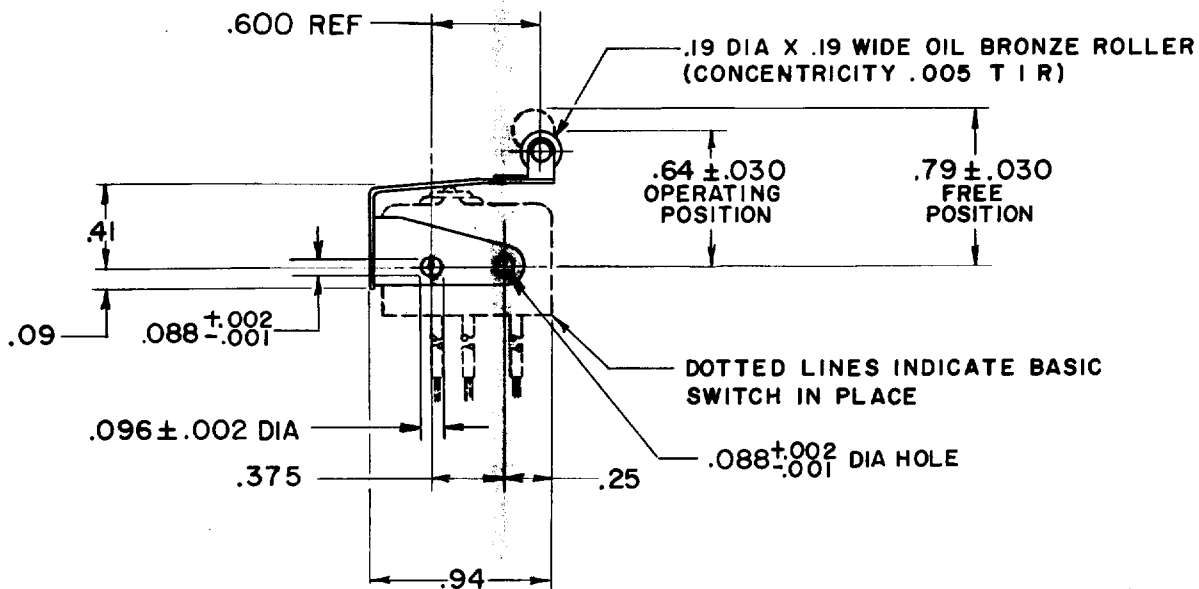
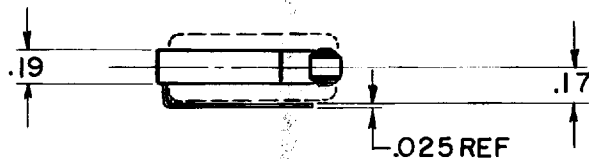
CHECK

CHECK

CHECK

CHECK

CHECK



THIS DRAWING COVERS A PROPRIETARY ITEM AND IS THE PROPERTY OF MICRO SWITCH, A DIVISION OF MINNEAPOLIS-HONEYWELL REGULATOR CO. THIS DRAWING IS NOT TO BE COPIED OR USED WITHOUT THE APPROVAL OF MICRO SWITCH.

CHARACTERISTICS (WITH ISEI)		ELECTRICAL DATA		SCALE FULL	
OPERATING FORCE	— — — 12 OZ MAX	CONTACT ARRANGEMENT	BREAK DISTANCE	DO NOT SCALE PRINT	
RELEASE FORCE	— — — 2 OZ MIN			UNLESS OTHERWISE SPECIFIED	
DIFFERENTIAL TRAVEL	— — — .025 MAX			DIMENSIONS ARE IN INCHES	
OVERTRAVEL	— — — .015 MIN			TOLERANCES ARE:	
				ONE PLACE (.0) ± .030	
				TWO PLACE (.00) ± .015	
				THREE PLACE (.000) ± .005	
				ANGLES ±	
				WEIGHT	

0-50378

DRAWN

L S D 19 NOV 59

GCH 20 NOV 59

X-ON Electronics

Largest Supplier of Electrical and Electronic Components

Click to view similar products for [Switch Fixings](#) category:

Click to view products by [Honeywell](#) manufacturer:

Other Similar products are found below :

[893102000](#) [00-5150](#) [LZZ1A](#) [0098.9234](#) [M2PA-5011](#) [630155](#) [635401](#) [6PA113](#) [6PA147-E6](#) [6PA148-E6](#) [6PA32](#) [6PA9](#) [700106](#) [700109](#)
[700303A56](#) [700C1GRY](#) [700C2GRN](#) [704-6001](#) [704.960.9](#) [704.965.2](#) [704.965.6](#) [704.966.0](#) [7089-3](#) [710082-B11](#) [71M1048](#) [757200264](#)
[764300000](#) [MHU35](#) [MHU37](#) [807039-1](#) [825.003.011](#) [825.005.011](#) [825.053.011](#) [825.055.011](#) [826.000.071](#) [827.020.011](#) [827.400.021](#)
[835.900.023](#) [MML52C10C](#) [MML52E10C](#) [MML92HGH](#) [MML93K](#) [84211M02CNNS](#) [84212M02CNNS](#) [842.500.011](#) [843.000.011](#) [843187-000](#) [843487-000](#) [84-901](#) [84-902](#)