

**MICRO SWITCH**  
a Honeywell Division

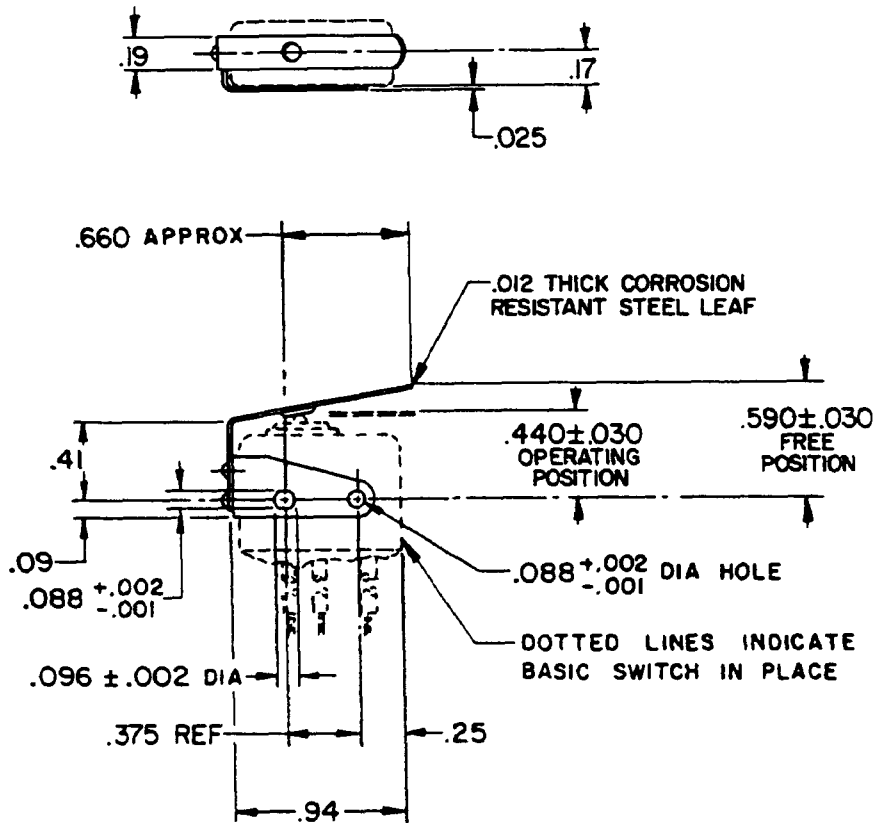
FED MFG. CODE 91929

**ACTUATOR-SWITCH**

CATALOG LISTING

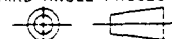
**JE-73**

CATALOG LISTING **JE-73**  
 PAGE 1 OF 1  
 RELEASE NO PR-5024  
 ISSUE **M**  
**6**  
 REVISIONS  
 A OBS  
 C069507  
 DAW  
 21 FEB 91  
 B RE-IN  
 PR21936  
 J J A  
 5 JAN 96  
 C 204294  
 CSL  
 2 NOV 01  
 CHECK  
 8 JAN 96  
 CHECK  
 TSM  
 5 JAN 96  
 DRAWN  
**RASTER**



THIS DRAWING COVERS A PROPRIETARY ITEM AND IS THE PROPERTY OF MICRO SWITCH A DIVISION OF HONEYWELL THIS DRAWING IS NOT TO BE COPIED OR USED WITHOUT THE APPROVAL OF MICRO SWITCH

THIRD ANGLE PROJECTION



CHARACTERISTICS
OPERATING FORCE ----- 12 OZ MAX
RELEASE FORCE ----- 2 OZ MIN
DIFFERENTIAL TRAVEL --- .025 MAX
OVERTRAVEL ----- .015 MIN

ELECTRICAL DATA
CONTACT ARRANGEMENT

SCALE FULL	DO NOT SCALE PRINT
UNLESS OTHERWISE SPECIFIED TOLERANCES ARE	
ONE PLACE ( )	± .030
TWO PLACE ( 00 )	± .015
THREE PLACE ( 000 )	± .005
ANGLES	±
WEIGHT	



## X-ON Electronics

Largest Supplier of Electrical and Electronic Components

*Click to view similar products for [Basic / Snap Action Switches](#) category:*

*Click to view products by [Honeywell](#) manufacturer:*

Other Similar products are found below :

[5SM901-S12](#) [5SM9-S12N195](#) [01.098.1358.1](#) [602EN532](#) [602EN535-RB](#) [602HE5-RB1](#) [604HE162](#) [604HE223-6B](#) [624HE17-RB](#) [6HM82](#)  
[6HM89](#) [6SE1](#) [6SX1-H58](#) [70500216](#) [70599106](#) [MBD5B1](#) [MBH2731](#) [73-316-0012](#) [EXD-AR20](#) [79211923](#) [79218589](#) [7AS12](#)  
[MIL30126AB6BBMD4A12XAU](#) [ML-1155](#) [ML-1376](#) [831010C3.0](#) [831090C2.EL](#) [83131904](#) [84212012](#) [8AS239](#) [8HM73-3](#) [8SX26-H33](#)  
[914CE1-6G](#) [PL-100](#) [11SM1077-H4](#) [11SM1077-H58](#) [11SM1-TN107](#) [11SM405](#) [11SM8423-H2](#) [11SX37-T](#) [11SX48-H58](#) [11SM2442-T](#)  
[11SM76-T](#) [11SM77-H58](#) [11SM77-T](#) [11SM863-T](#) [11SM866](#) [A7CN-1M-1-LEFT](#) [A831700C7.0](#) [121EN187-R](#)