

# MICRO SWITCH

A DIVISION OF MINNEAPOLIS-HONEYWELL REGULATOR COMPANY  
 FREEPORT, ILLINOIS

FED. MFR. CODE 91929

## ACTUATOR - SWITCH

CATALOG LISTING

JM - 1

JM - 1

M

DRAWING NUMBER

ISSUE  
 7  
 X X X X

REVISIONS

A	CO15157	M B F	27 SEP 60
B	CO17844	OMW	26 FEB 63
C	CO18559	VDF	17 OCT 63
D	CO47771	CJH	17 MAY 80
E	CO74078	LJF	25 NOV 92
F	CO79303	DLT	6 MAR 95

REPLACES

SR 8953

28 APR 60

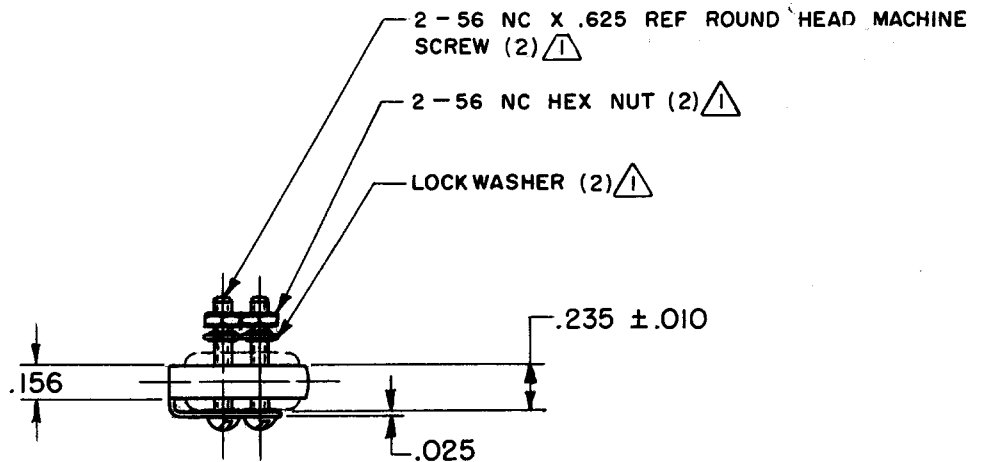
PAW

4 MAY 60

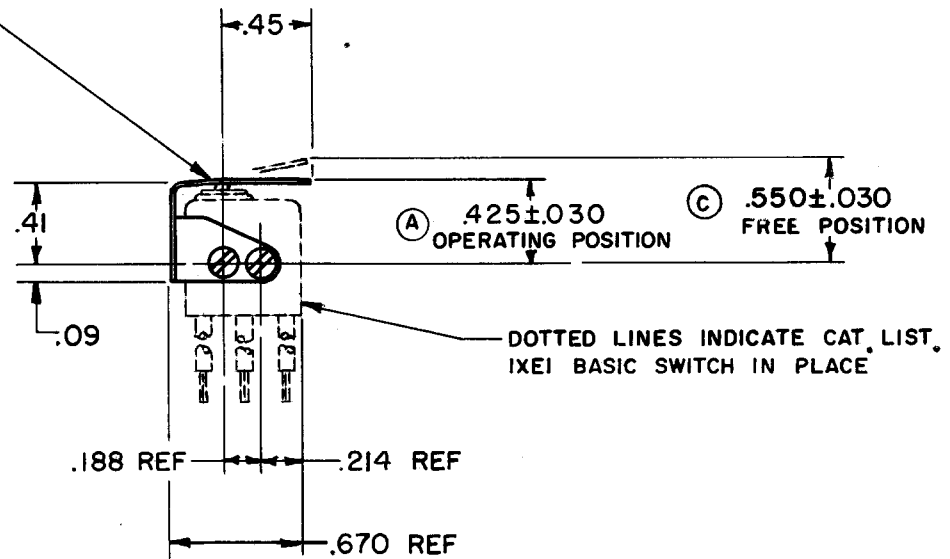
BLS

10 MAY 60

6 CH



.012 THICK CORROSION RESISTANT STEEL LEAF



NOTE -  
 $\triangle$  - FURNISHED UNASSEMBLED

THIS DRAWING COVERS A PROPRIETARY ITEM AND IS THE PROPERTY OF MICRO SWITCH, A DIVISION OF MINNEAPOLIS-HONEYWELL REGULATOR CO. THIS DRAWING IS NOT TO BE COPIED OR USED WITHOUT THE APPROVAL OF MICRO SWITCH.

CHARACTERISTICS WITH IXE1 BASIC SWITCH INSTALLED

OPERATING FORCE	-----	21 OZ MAX
RELEASE FORCE	----- (B) -----	3 OZ MIN
DIFFERENTIAL TRAVEL	-----	.012 MAX
OVERTRAVEL	-----	.009 MIN

ELECTRICAL DATA

CONTACT ARRANGEMENT	BREAK DISTANCE
---------------------	----------------

SCALE FULL

DO NOT SCALE PRINT

UNLESS OTHERWISE SPECIFIED  
 DIMENSIONS ARE IN INCHES

TOLERANCES ARE:

ONE PLACE (.0)	$\pm$ .030
TWO PLACE (.00)	$\pm$ .015
THREE PLACE (.000)	$\pm$ .005
ANGLES	$\pm$

WEIGHT

(A)

## X-ON Electronics

Largest Supplier of Electrical and Electronic Components

*Click to view similar products for [Switch Actuators](#) category:*

*Click to view products by [Honeywell](#) manufacturer:*

Other Similar products are found below :

[LW1B-A0L](#) [LW1B-M0](#) [680-4000-00](#) [704.012.618](#) [704.411.018I](#) [704.412.0](#) [704.633.1](#) [704.730.1](#) [704.733.0](#) [84-1221.7](#) [862.8102](#) [G6083](#)  
[9PA24](#) [A0107X](#) [A019307](#) [ADC-418G](#) [12MA7](#) [ASDHYY-B](#) [HW1F-3G](#) [HW1M-L2222](#) [HW4S-31L](#) [200-.704-00](#) [JS-10008](#) [JS-10083](#) [JS-10118](#) [JS-10133](#) [JS-10277](#) [JS-10389](#) [JS-150](#) [JS-552](#) [JS-555](#) [JS-68](#) [JS-6-B](#) [JS-91](#) [JS-94](#) [22-211.011](#) [9001KXSDC](#) [92-458.500](#) [SAPT654133](#)  
[2PA3](#) [SW53AA2](#) [302561](#) [LW2L-A0](#) [3E-12.0](#) [468-10243-001](#) [51-030.005](#) [JM-13](#) [JS-10120](#) [JS-138-B](#) [JS-143-B](#)